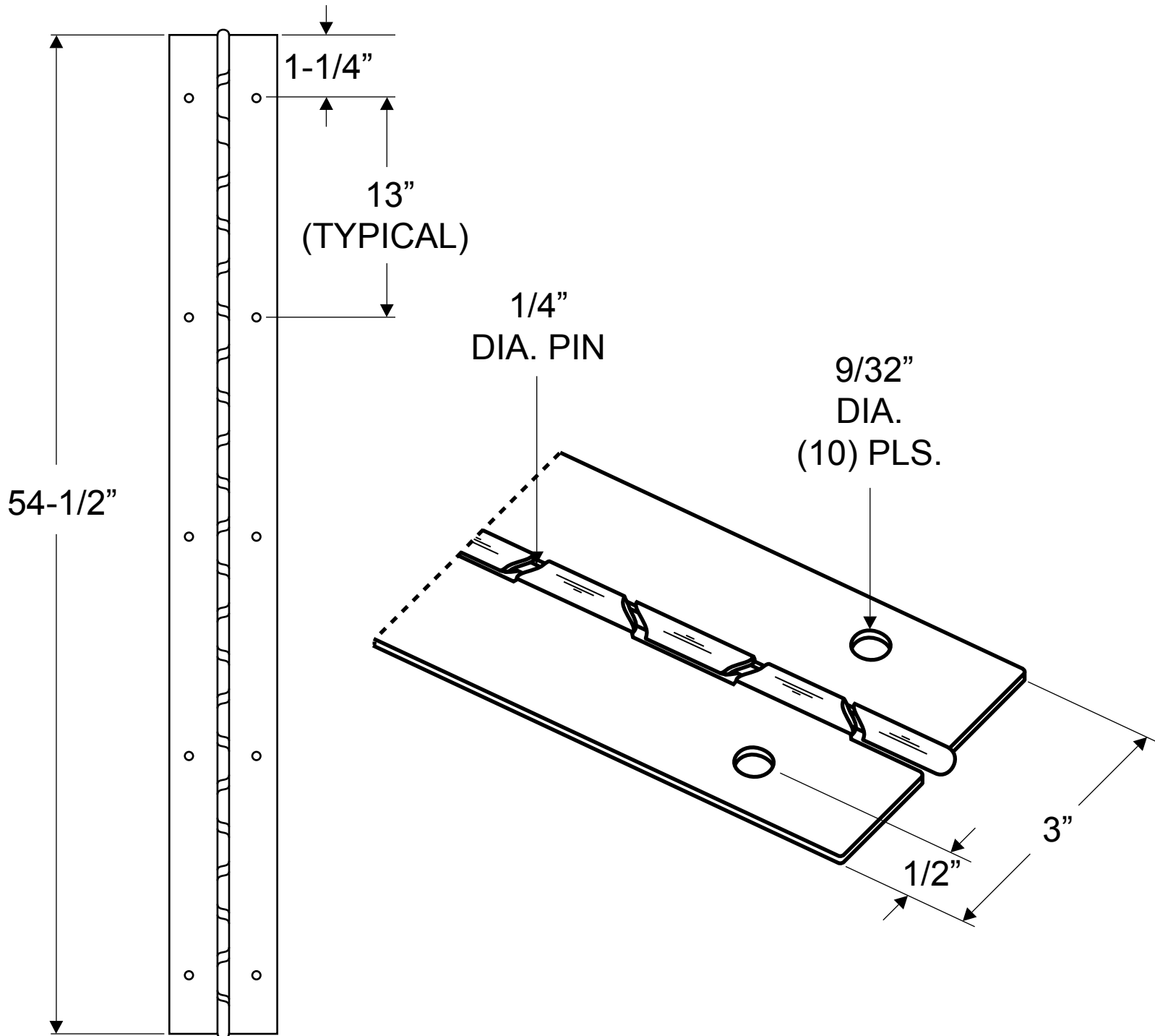


**7599**  
**(PIANO HINGE - 54-1/2" CAM CLOSE)**



**NOTE: 14 GAUGE (.075" THICK STAINLESS)**