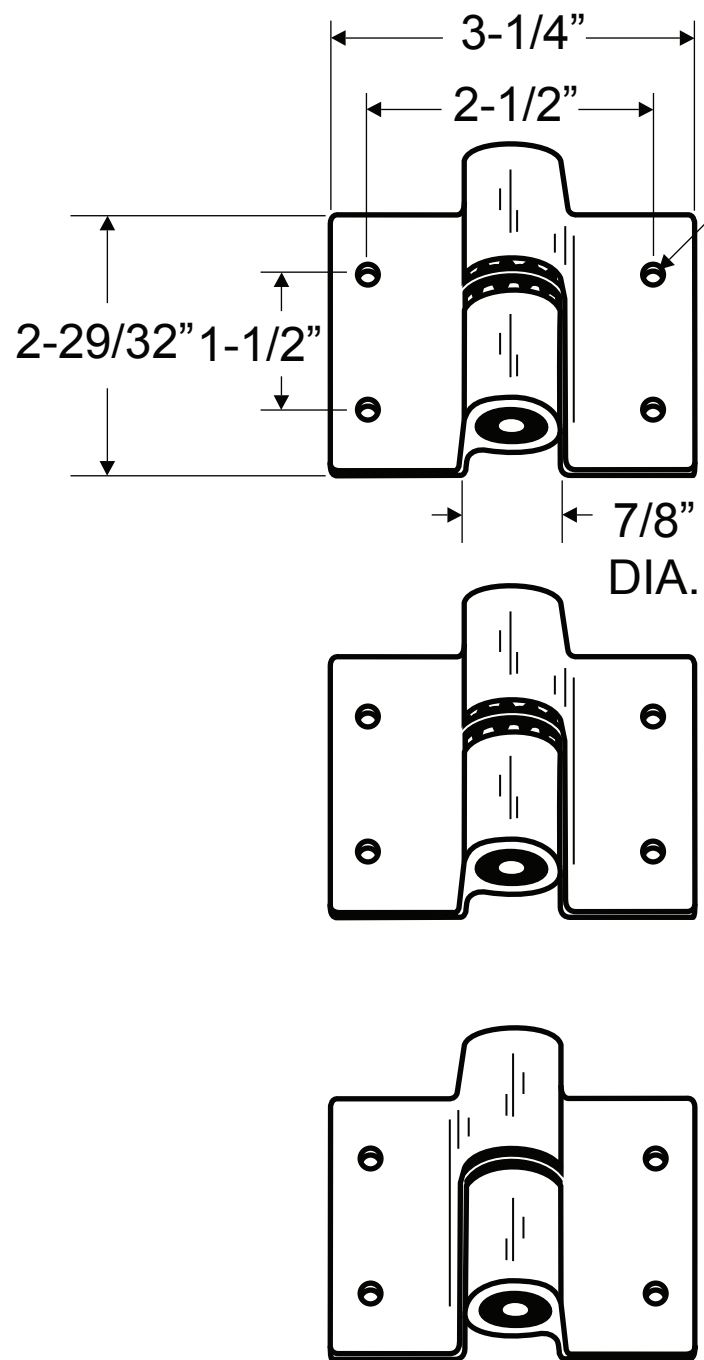


**7553
(THREE HINGE SET - RH-IN/LH-OUT)**



1/4"
DIA.
(4) PLS.

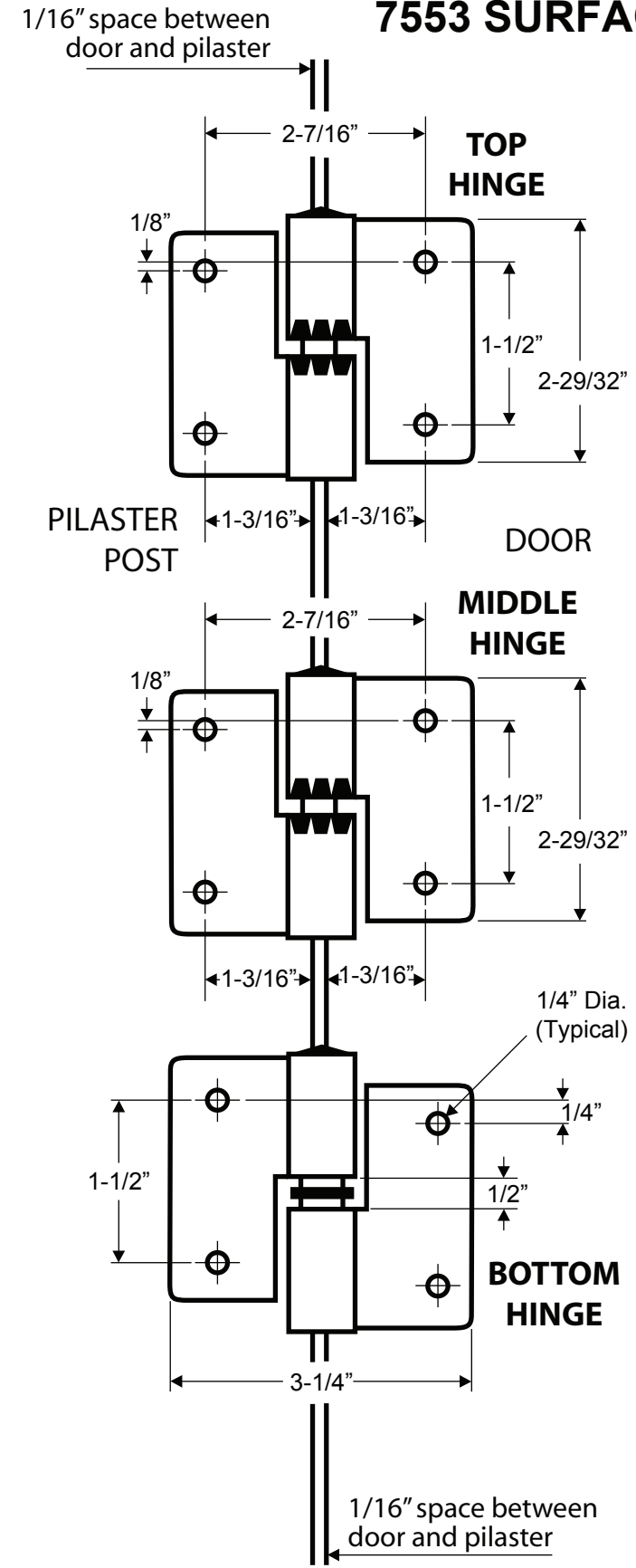
TOP HINGE

TOP HINGE

BOTTOM HINGE

**NOTE: HINGE THICKNESS AT 1/8"
TOP AND BOTTOM HINGE DIMENSIONS ARE SAME**

**INSTRUCTIONS FOR INSTALLING
7553 SURFACE MOUNTED HINGE**



1. Locate and set hinge leaves to pilaster post as per drawing.
2. Locate and set **upper & middle** hinge leaves to door. Adjust male cams as necessary to achieve desired closed or "at rest" position.
3. With door in "at rest" position, locate and set **lower** hinge leaf on door allowing 1/2" vertical space between hinge leaves as per drawing. This is to allow for the rise of the door when opening.
4. Install straight black hinge pin. Install retaining clip into pin to prevent the pin from coming out.
5. The hinges are handed for left hand (LH) or right hand (RH) swing. The same hinge may be used for LH inswing or RH outswing. The opposite hinge would be used for RH inswing and LH outswing.
6. To adjust position of door closing, drive pintle from bottom leaf of top door hinge and turn to desired position.

* WHEN SETTING HINGES WITH DOOR IN CLOSED POSITION ALLOW 1/2" SPACE FOR LIFT.

