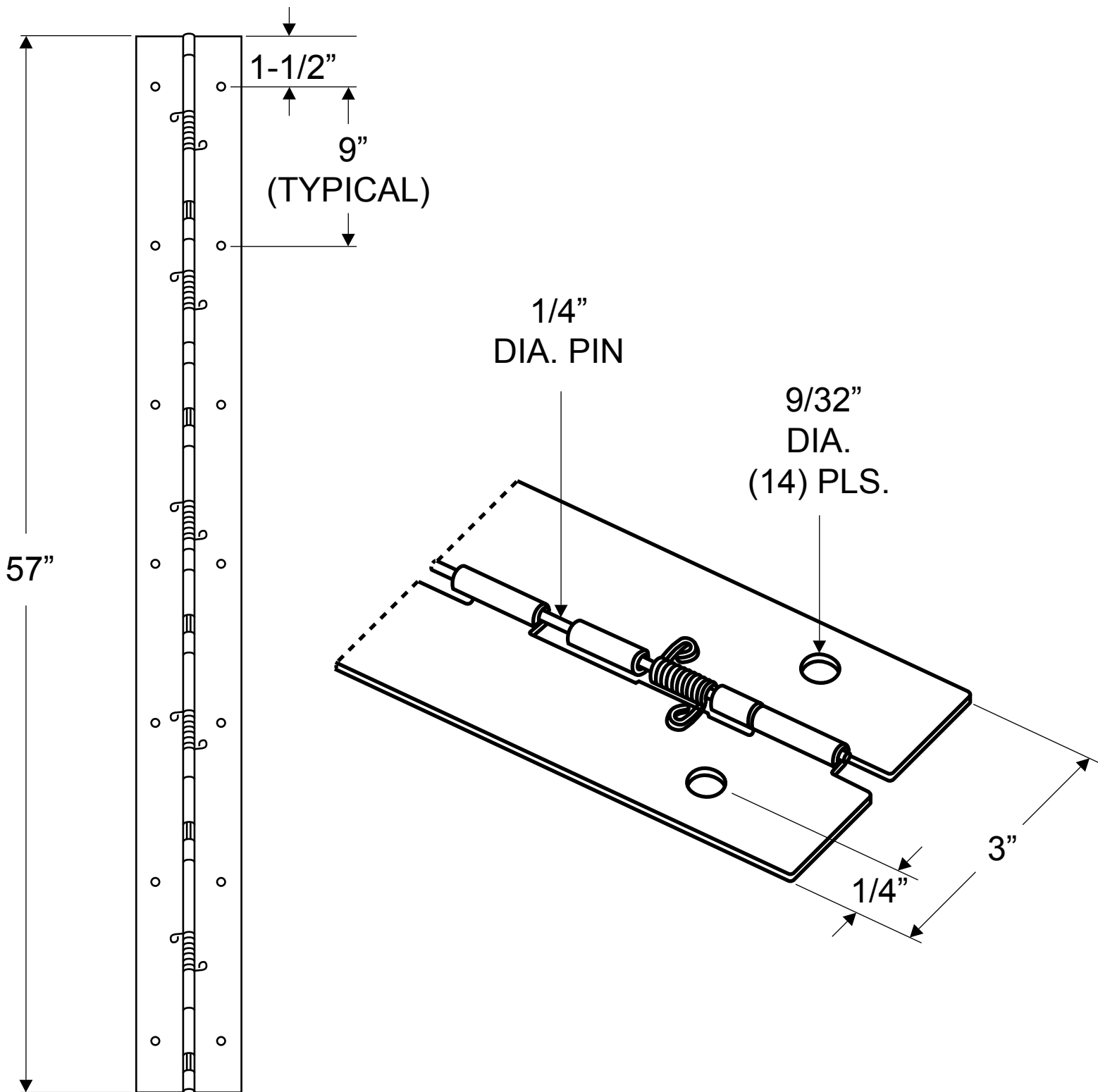


**7349**  
**(PIANO HINGE - 57" SPRING CLOSE LH-IN/RH-OUT)**



**NOTE: 14 GAUGE (.075" THICK STAINLESS)**  
**5 SPRINGS**