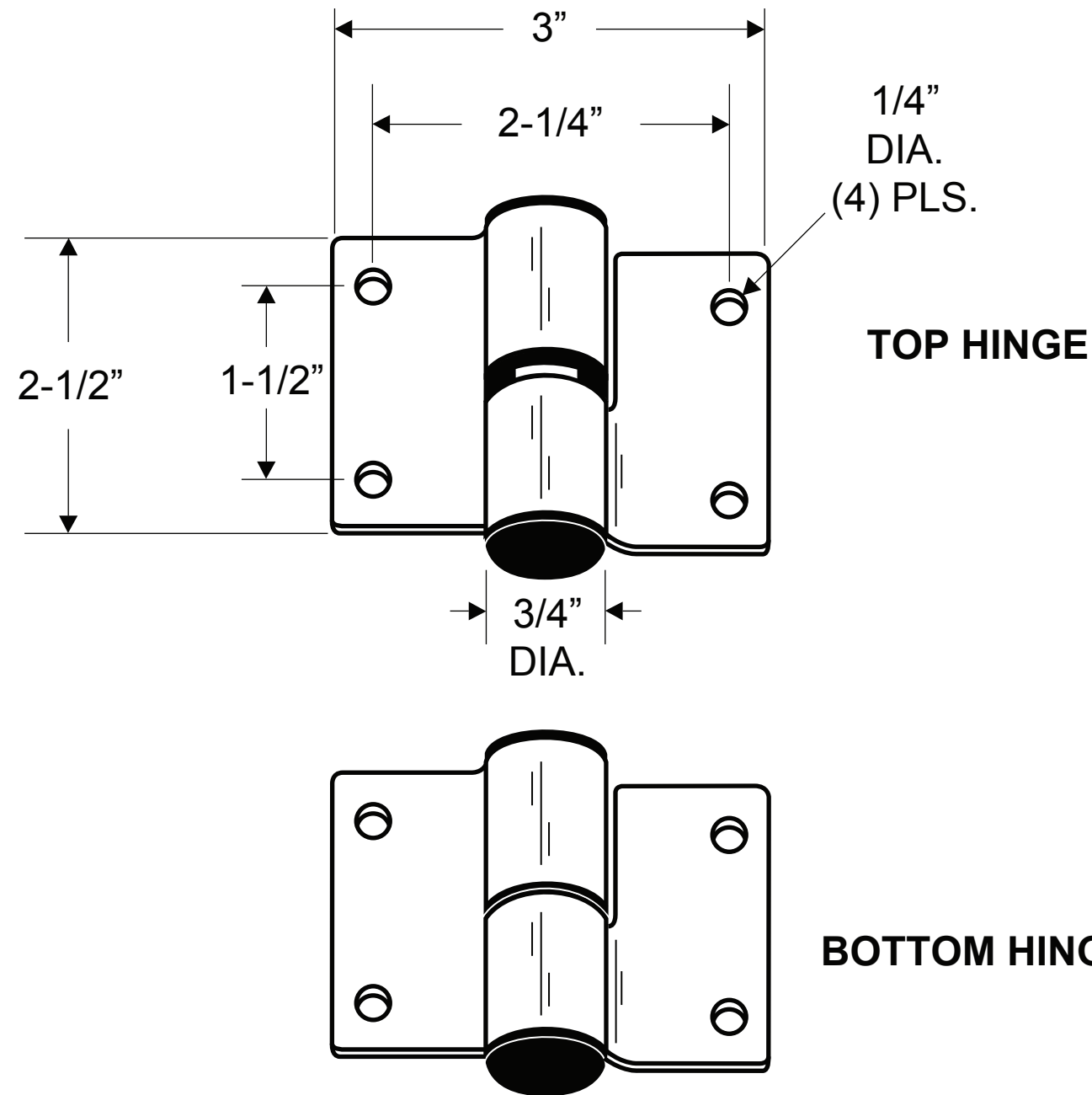


**7083, 7089  
(SURFACE MOUNTED HINGE - LH-IN/RH-OUT)**

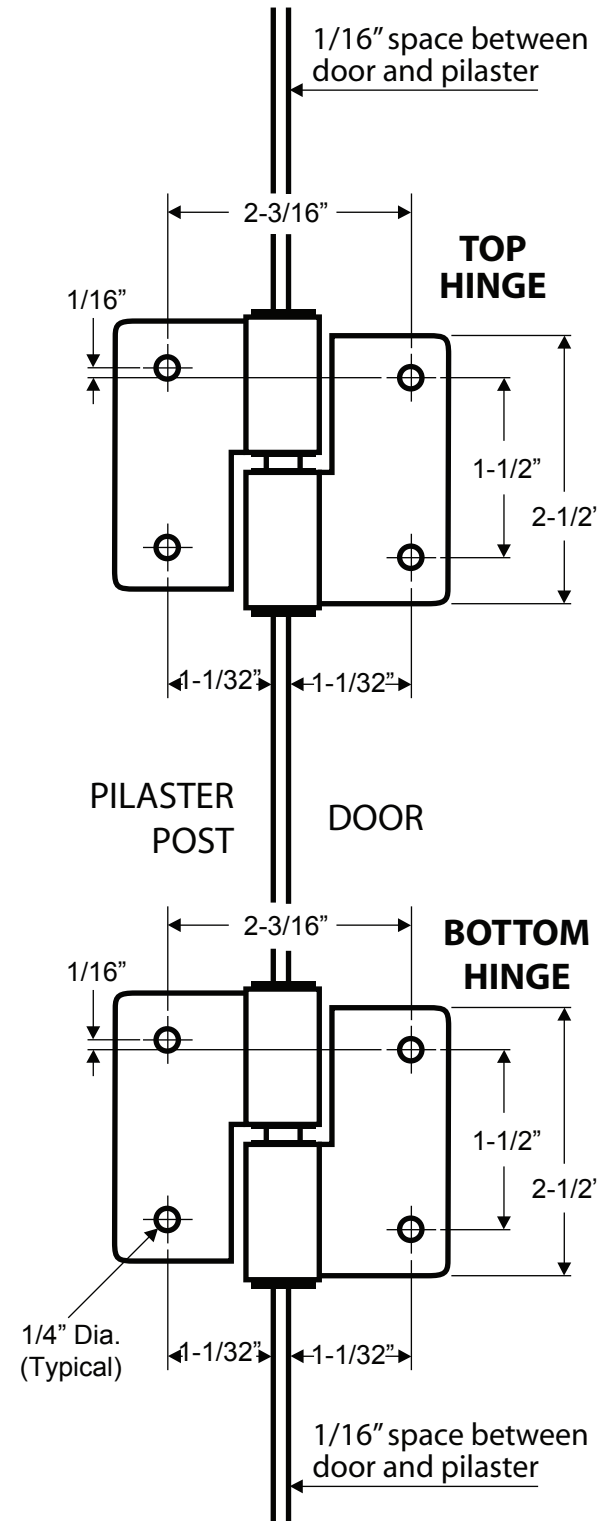
**INSTRUCTIONS FOR INSTALLING  
7083, 7089 SURFACE MOUNTED HINGES**



1/4" DIA.  
(4) PLS.

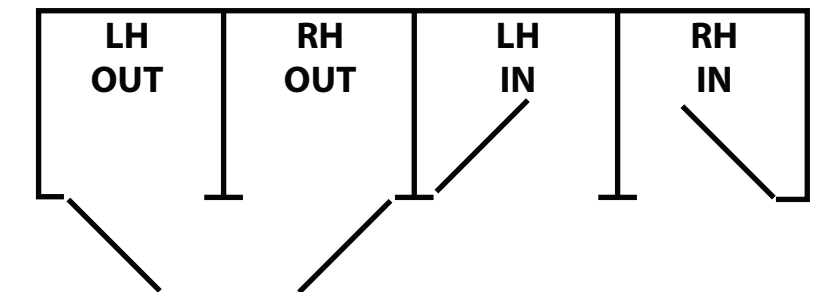
**TOP HINGE**

**BOTTOM HINGE**



1. Locate and set hinges to pilaster post as per drawing.
2. With door in "at rest" position, locate and set **upper** and **lower** hinges on door as per drawing. This is to allow for the rise of the door when opening.
3. The hinges are handed for left hand (LH) or right hand (RH) swing. The same hinge may be used for RH outswing or LH inswing. Part No. 7073 would be used for LH outswing or RH inswing.

\* WHEN SETTING HINGES WITH DOOR IN CLOSED POSITION ALLOW 1/2" SPACE FOR LIFT.



**NOTE: HINGE THICKNESS AT 3/32"  
TOP AND BOTTOM HINGE DIMENSIONS ARE SAME**