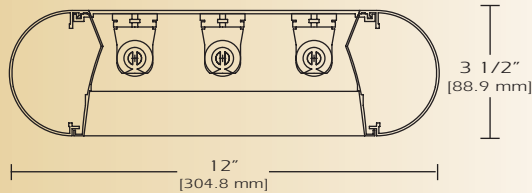


Ovals

AD3512-DI



TYPE _____

FEATURES

The AD3512 oval aluminum luminaire is distinguished by its low profile and contemporary design. This high quality luminaire is suitable for most lighting systems and can be mounted to suit any project. The highly efficient design produces a uniform direct and indirect light distribution. The AD3512 is ideal where style quality and performance applications apply.

SPECIFICATIONS

- Housing:** Two piece heavy gauge extruded aluminum 6063T5 alloy welded construction forming a 3 1/2" x 12" oval profile. Finished end caps are welded to housing with no exposed hardware or knockouts.
- Reflector:** Die formed 20-gauge cold rolled steel minimum 90% reflectivity finished in high gloss baked white enamel.
- Shielding:** Parabolic louver is semi-specular low iridescence aluminum 1 1/4" x 2.4" O.C. with 20 cells per 4' section. Four spring wire clips secure snap in baffle including two tethers.
- Electrical:** Ballast is electronic, high power factor, thermally protected class P, sound rated A, with less than 20% total harmonic distortion. The minimum number of ballasts will be used unless otherwise specified.
- Mounting:** Standard installation is an adjustable self-locking aircraft assembly 48" x 3/32" in diameter with 5" canopy. One 16/4 SJT straight 54" cord is supplied with each power feed. Standard pendants are available in 24" lengths. See Accessories for additional mounting.
- Finish:** Fixture housing and steel components are finished in baked white enamel applied over a five-stage pretreatment process.
- Lamps:** Fixtures are provided for use with two, three or four 32 watt T8 lamps or 54 watt T5 HO lamps. (Supplied by Others)
- Certification:** Luminaires are U. L. Listed, C. S. A. certified and are Union Made in the United States of America I.B.E.W.

ORDERING GUIDE

MODEL NO.	DIRECTION	SHIELDING	LAMPS	MOUNTING	LENGTH	FINISH	VOLTAGE	OPTIONS
AD3512	DI							
AD3512	DI =Direct/ Indirect	PBL =Parabolic Louvers SCB =Steel Cross Baffle PRS =Prismatic Acrylic WOA =White Opal Acrylic	232T8 332T8 432T8 254T5 HO 354T5 HO 454T5 HO O =Other Specify	AC = Cable PD = Pendant See Accessories	4 = 4 ft 8 = 8 ft for other, please enter row length (eg. 48=48ft)	W = White CC = Custom Color	120v 277v	See Options Below

Example: **AD-3512-DI-PBL-232T8-AC-4-W-120V**
 Example: AD-3512 direct / indirect with parabolic louver for two 32 watt T8 lamps including two 48 inch aircraft cables and power feed four foot fixture finished in baked white enamel 120v electronic ballast less than 20% total harmonic distortion.

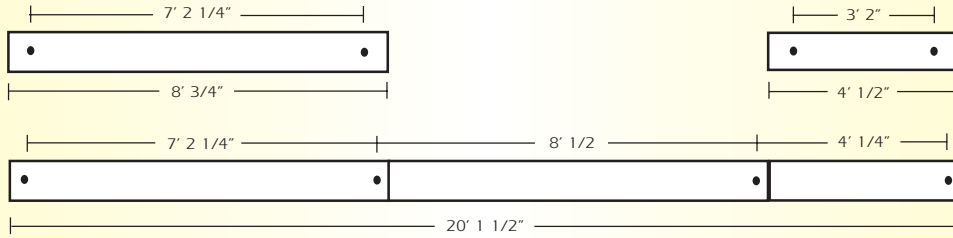
OPTIONS

- E10=** Electronic ballast, high power factor, thermally protected class P, sound rated A, < 10% total harmonic distortion
- DIM=** Dimming Ballast
- EPC=** Emergency Battery Pack
- EMC=** Emergency Circuit
- TCW=** Two Circuit Wiring
- TDW=** Tandem Wiring
- OTH=** See Accessories for other options available

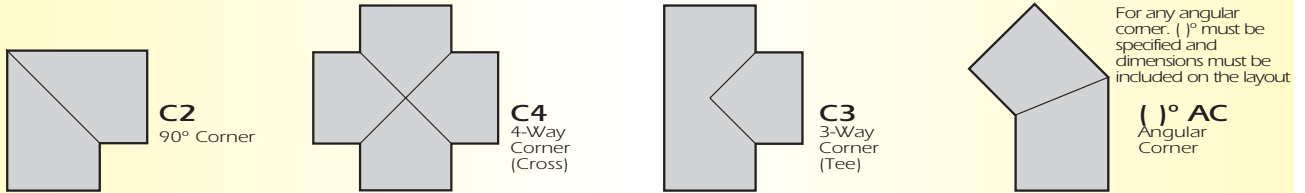
Ovals

AD3512-DI

LINEAR SECTIONS AND SUSPENSION LOCATION

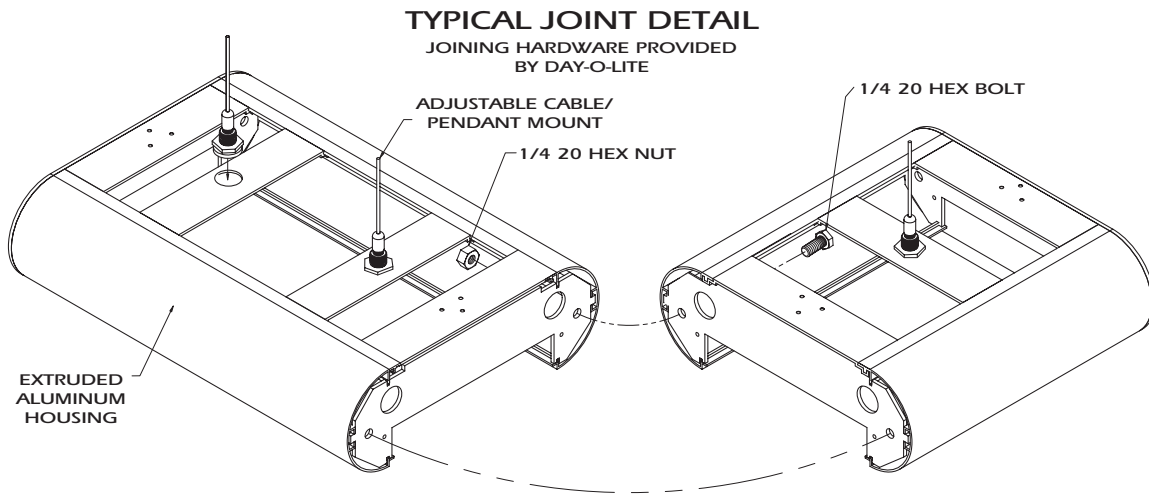


CORNERS Corners and fixture extensions are custom fabricated to precise dimensions. Please indicate the specific requirements on the layout

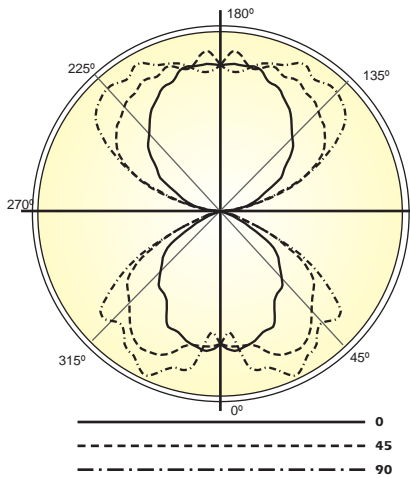


For any pattern, a layout must accompany the order.

INSTALLATION PREPARATION



PHOTOMETRY



LAMP (3) 32W T8
LUMENS: 2900 PER LAMP
PARABOLIC LOUVER

Candela Distribution:

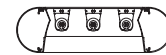
Vert. Angle	0	22.5	45	67.5	90
0	992	992	992	992	992
5	1047	1012	1014	1062	926
15	998	1016	1045	1132	1215
25	937	980	1175	1319	1349
35	745	963	1145	1230	1237
45	624	860	967	1081	1160
55	479	686	833	970	976
65	127	233	387	424	401
75	12.1	33.1	48.5	46.5	22.5
85	11.1	21.0	16.3	10.7	1.88
95	69.2	103	58.6	49.1	38.9
105	245	399	393	361	334
115	401	607	758	792	784
125	584	764	951	1087	1131
135	756	871	1035	1175	1241
145	903	967	1091	1182	1208
155	1019	1019	1111	1180	1208
165	1101	1106	1101	1157	1140
175	1103	1119	1200	1068	1043
180	1087	1087	1087	1087	1087

Optical Distribution:
56% Indirect: 44% Direct

Coefficients of Utilization - Zonal Cavity Method:

pfc = 0.20

	.8	.7	.5	.3	.1	0													
pcc	.8	.7	.5	.3	.1	0													
pw	.7	.5	.3	.1	.5	.3	.1	0											
RCR	0	94	94	94	94	86	86	86	86	71	71	71	58	58	58	45	45	45	39
1	87	83	80	77	79	76	73	71	63	61	60	51	50	49	41	40	39	34	
2	79	73	67	63	72	67	62	58	56	52	50	45	43	41	36	35	33	29	
3	72	64	58	53	66	59	53	49	49	45	42	40	37	35	32	30	28	24	
4	66	56	49	44	60	52	46	41	43	39	35	36	32	30	28	26	24	21	
5	60	50	43	38	55	46	40	35	39	34	30	32	28	25	25	23	21	18	
6	55	45	37	32	50	41	35	30	35	30	26	28	25	22	23	20	18	15	
7	51	40	33	28	46	37	31	26	31	26	23	26	22	19	21	18	16	13	
8	47	36	29	25	43	33	27	23	28	23	20	23	20	17	19	16	14	12	
9	44	33	26	22	40	30	24	20	26	21	18	21	18	15	17	14	12	10	
10	41	30	24	19	37	28	22	18	24	19	16	20	16	13	16	13	11	9	



Total Luminaire Optical Efficiency = 89.7%