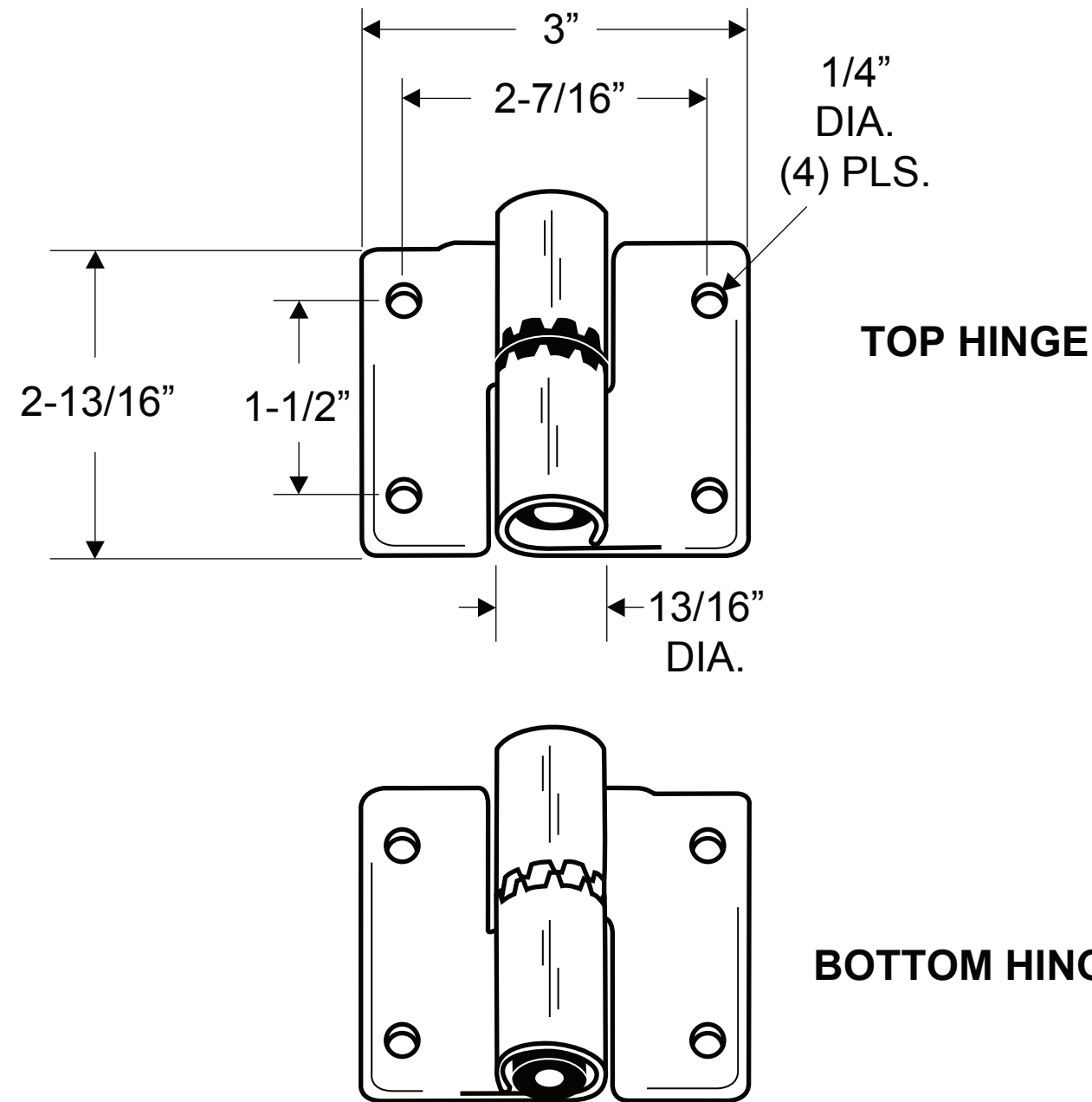
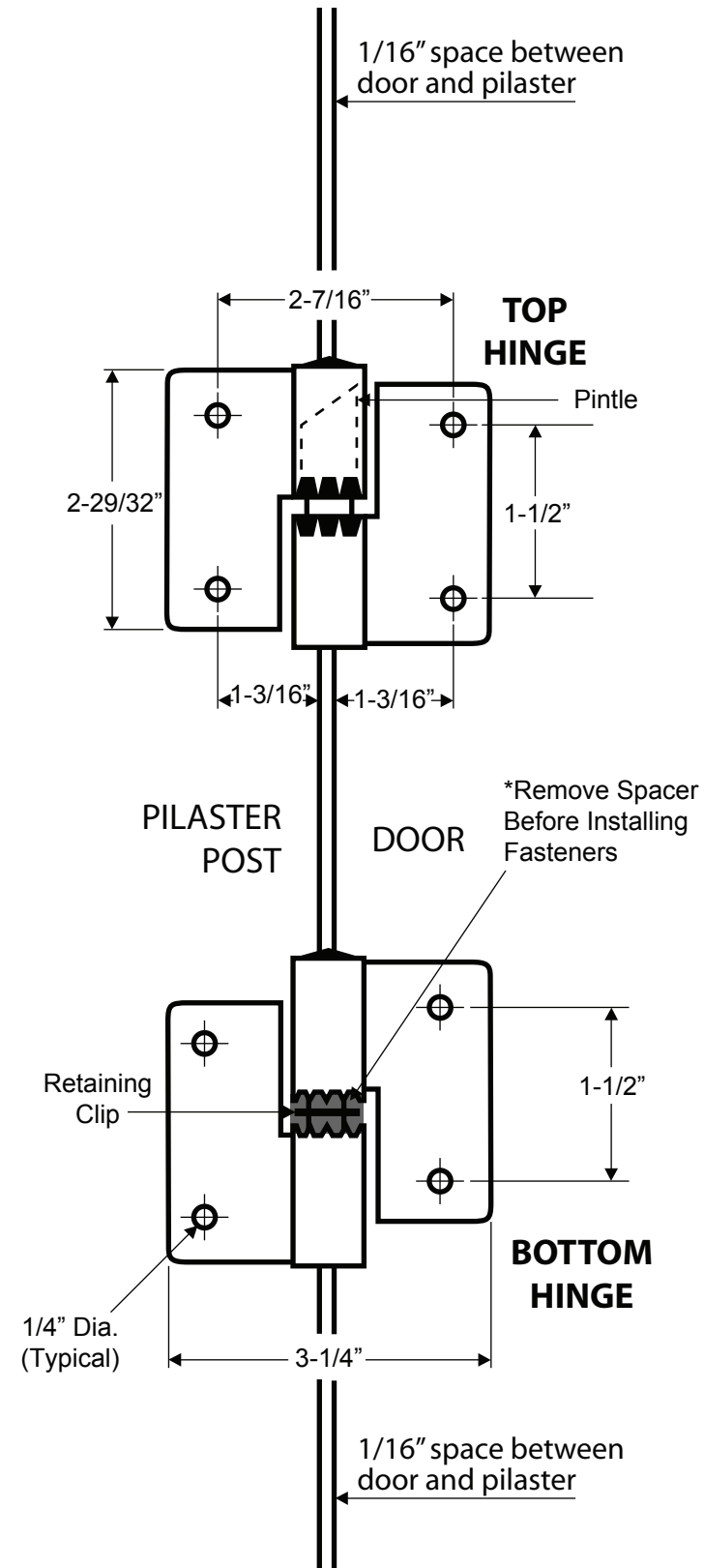


**7021, 7022
(SURFACE MOUNTED HINGE - LH-IN/RH-OUT)**



NOTE: HINGE THICKNESS AT 3/32"
7151, 7152 TOP HINGE ONLY, 7161, 7162 BOTTOM HINGE ONLY
TOP AND BOTTOM HINGE DIMENSIONS ARE SAME

**INSTRUCTIONS FOR INSTALLING
7021, 7022 SURFACE MOUNTED HINGES**



1. Locate and set hinge leaves to pilaster post as per drawing.
2. Locate and set **upper** hinge leaf to door. Adjust male pintle as necessary to achieve desired closed or "at rest" position.
3. With door in position, locate and set **lower** hinge leaf on door with 1/2" spacer in place. This is to allow for the rise of the door when opening. ***Be sure to remove this spacer before installing fasteners.**
4. Install retaining clip into pin to prevent the pin from coming out.
5. The hinges are handed for left hand (LH) or right hand (RH) swing. The same hinge may be used for LH inswing or RH outswing. The opposite hinge would be used for RH inswing and LH outswing.
6. To reverse the handedness of the hinge, remove the nylon inserts from the top hinge and insert them into the bottom hinge. Remove the plastic inserts from the bottom hinge and insert them into the top hinge. This will change the direction of swing.
7. To adjust position of door closing, drive pintle from bottom leaf of top door hinge and turn to desired position.

