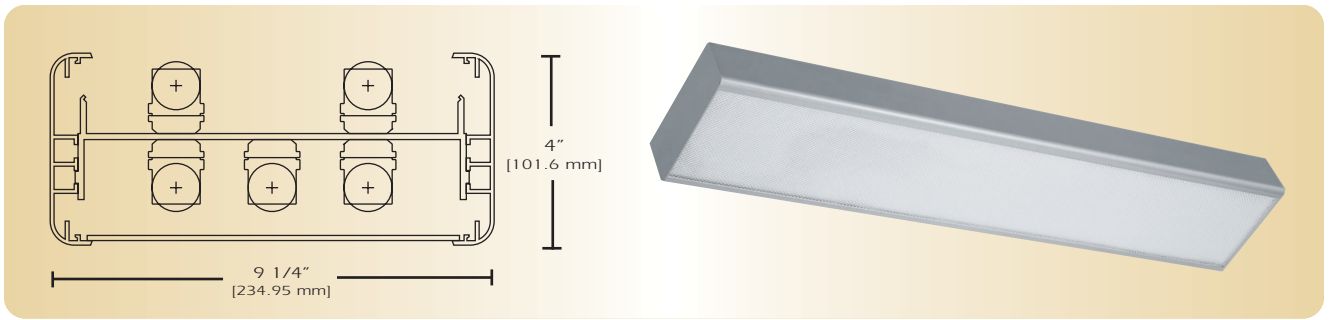


Squares

AD-SS9-DI



TYPE _____

FEATURES

The AD-SS9 soft square series is an extruded aluminum luminaire available with a clear prismatic acrylic lens. The luminaires can be mounted individually, in rows or in any combination of patterns. The luminaires in this series provide low glare and widespread illumination. The simplicity of the AD-SS9 series is the solution for open spaces while providing maximum design versatility to meet the perceived source of illumination for a specific environment.

SPECIFICATIONS

- Housing:** Two piece heavy gauge extruded aluminum 6063T5 alloy welded construction forming a 4" x 9 1/4" soft square profile. Finished end caps are welded with no exposed hardware or knockouts.
- Reflector:** Die formed 20-gauge cold rolled steel minimum 90% reflectivity finished in high gloss baked white enamel.
- Shielding:** Standard lens is injection molded Prismatic Acrylic (PRS). Nominal thickness .125
- Electrical:** Ballast is electronic, high power factor, thermally protected class P, sound rated A, with less than 20% total harmonic distortion. The minimum number of ballasts will be used unless otherwise specified.
- Mounting:** Standard installation is an adjustable self-locking aircraft cable assembly 48" x 3/32" in diameter with 5" canopy. One 16/4 SJT straight 54" cord is supplied with each power feed. Standard pendants are available in 24" lengths. See Accessories for additional mounting.
- Finish:** Fixture housing and steel components are finished in baked white enamel applied over a five-stage pretreatment process.
- Lamps:** Fixtures are provided for use with two to six 32 watt T8 lamps or 54 watt T5 HO lamps. (Supplied by Others)
- Certification:** Luminaires are U. L. Listed, C. S. A. certified and are Union Made in the United States of America I.B.E.W.

ORDERING GUIDE

MODEL NO.	DIRECTION	SHIELDING	NO. OF LAMPS	WATTAGE	MOUNTING	LENGTH	FINISH	VOLTAGE	OPTIONS
AD-SS9	DI								
AD-SS9	DI= Direct/ Indirect	PRS= Prismatic Acrylic Lens SCB= Steel Cross Baffle WOA= White Opal Acrylic	1U1D 2U1D 3U1D 1U2D 2U2D 3U2D 1U3D 2U3D 3U3D	32 T8 54 T5 HO O=Other Specify	AC= Cable PD= Pendant See Accessories	4= ft 8= ft for other, please enter row length (eg. 48=48ft)	W= White CC= Custom Color	120v 277v	See Options Below

Example: **ADSS9-DI-PRS-2U2D-32T8-AC-4-W-120V**
 ADSS9 direct/indirect with prismatic acrylic lens down and open up for two 32 watt T8 lamps down and two 32 watt T8 lamps up including two 48 inch aircraft cables and power feed four foot fixture finished in baked white enamel 120V electronic ballast less than 20% total harmonic distortion.

OPTIONS

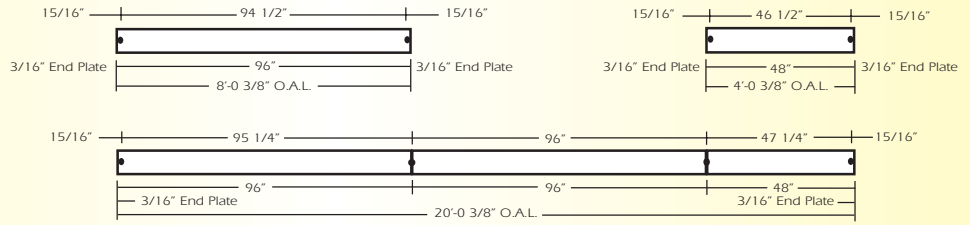
- E10=** Electronic ballast, high power factor, thermally protected class P, sound rated A, < 10% total harmonic distortion
- DIM=** Dimming Ballast
- EPC=** Emergency Battery Pack
- EMC=** Emergency Circuit
- TCW=** Two Circuit Wiring
- TDW=** Tandem Wiring
- OTH=** See Accessories for other options available

Squares

AD-SS9-DI

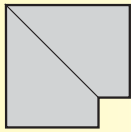
LINEAR SECTIONS AND SUSPENSION LOCATION

SUSPENSION MOUNTING

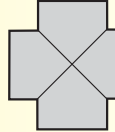


CORNERS

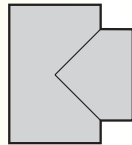
Corners and fixture extensions are custom fabricated to precise dimensions. Please indicate the specific requirements on the layout



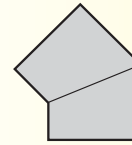
C2
90° Corner



C4
4-Way Corner (Cross)



C3
3-Way Corner (Tee)

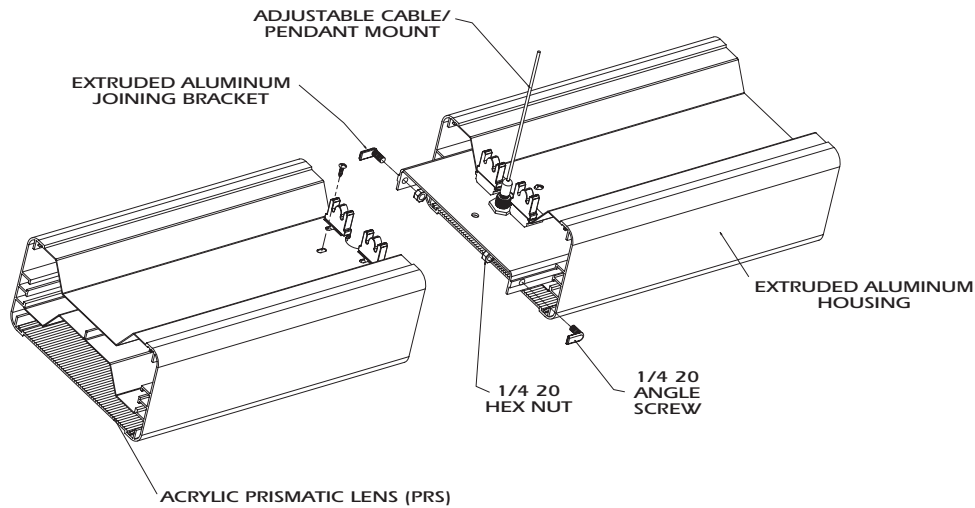


()° AC
Angular Corner

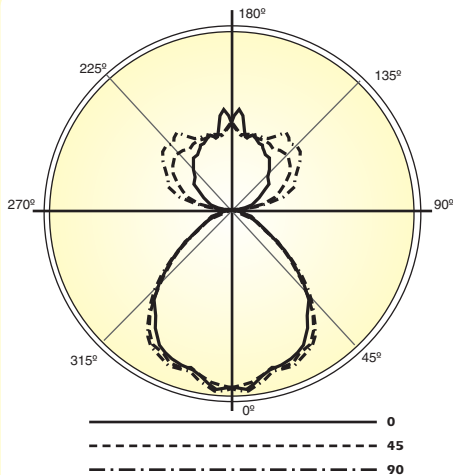
For any angular corner, ()° must be specified and dimensions must be included on the layout

For any pattern, a layout must accompany the order.

INSTALLATION PREPARATION



PHOTOMETRY



LAMP (5) 32W T8
LUMENS: 2900 PER LAMP

Candela Distribution:

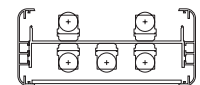
Vert. Angle	0	22.5	45	67.5	90
0.0	2300	2300	2300	2300	2300
10.0	2187	2182	2188	2171	2258
20.0	2079	2053	2151	2132	2169
30.0	1915	1987	2015	2078	2051
40.0	1537	1527	1584	1596	1619
50.0	950	920	963	973	978
60.0	453	457	501	483	468
70.0	244	254	261	256	270
80.0	105	112	135	133	145
90.0	16	18	20	22	31
100.0	197	319	409	429	421
110.0	334	533	660	773	844
120.0	476	649	843	962	961
130.0	596	715	980	1098	1137
140.0	747	816	1001	1182	1132
150.0	843	930	967	1054	1105
160.0	950	956	969	954	1041
170.0	964	1061	981	1013	986
180.0	1117	1117	1117	1117	1117

Optical Distribution:
54% Direct: 46% Indirect

Coefficients of Utilization - Zonal Cavity Method:

pfc = 0.20

pcc	.8	.7	.5	.3	.1	0												
pw	.7	.5	.3	.1	.5	.3	.1	.5	.3	.1	0							
RCR	0	71	71	71	66	66	66	66	56	56	56	47	47	47	39	39	39	35
1	66	63	61	58	61	59	57	55	50	49	47	43	42	41	34	34	34	31
2	60	56	52	49	56	52	49	46	45	42	40	38	36	35	29	29	29	27
3	55	49	45	41	51	46	42	39	40	37	34	34	32	30	25	25	25	23
4	51	44	39	35	47	41	37	33	36	32	30	31	28	26	22	22	22	20
5	47	39	34	30	43	37	32	29	32	29	26	28	25	23	19	19	19	18
6	43	36	30	27	40	33	29	25	29	25	23	25	22	20	17	17	17	16
7	40	32	27	23	37	30	26	22	26	23	20	23	20	18	15	15	15	14
8	37	29	24	21	35	28	23	20	24	21	18	21	18	16	14	14	14	13
9	35	27	22	19	32	25	21	18	22	19	16	19	17	15	12	12	12	12
10	32	25	20	17	30	23	19	16	21	17	15	18	15	13	11	11	11	11



Total Luminaire Optical Efficiency = 65.8%