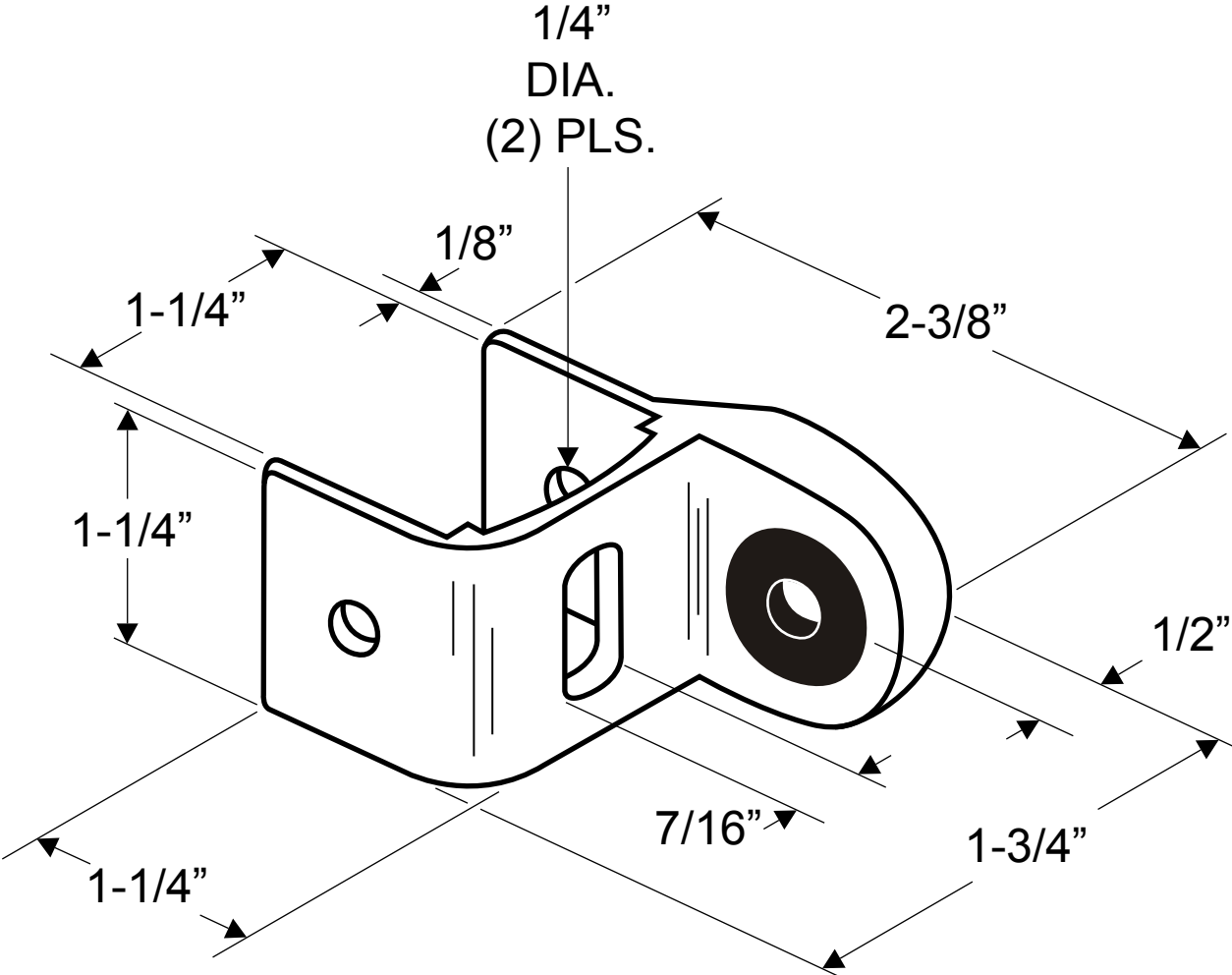


**5510, 5511, 5512, 5513, 5518
(STRIKE AND KEEPER - INSWING/OUTSWING 1-1/4")**



NOTE: FOR ROUND EDGE POST