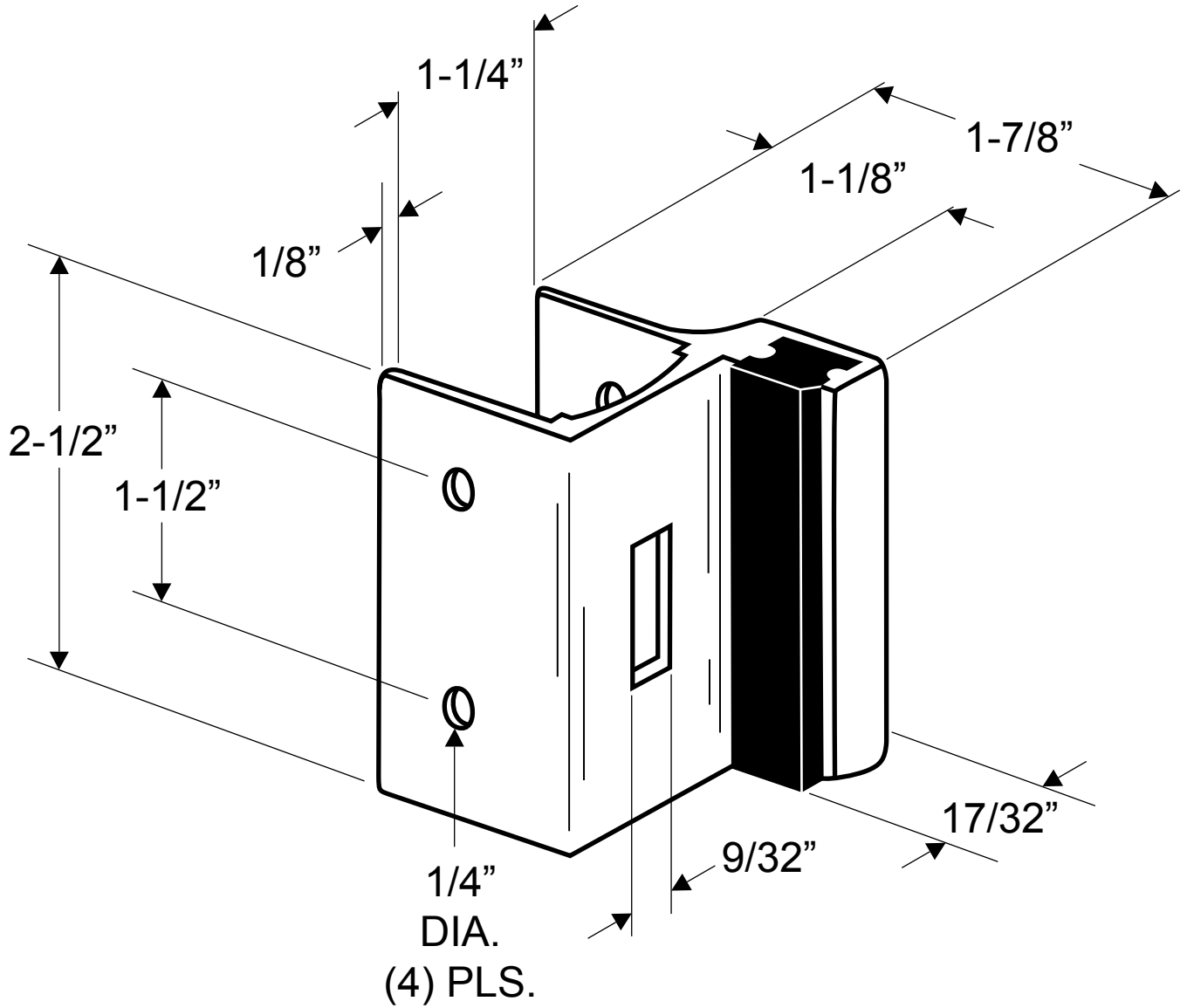


**5320, 5321  
(STRIKE AND KEEPER - INSWING/OUTSWING 1-1/4")**



**NOTE: FOR ROUND EDGE POST**