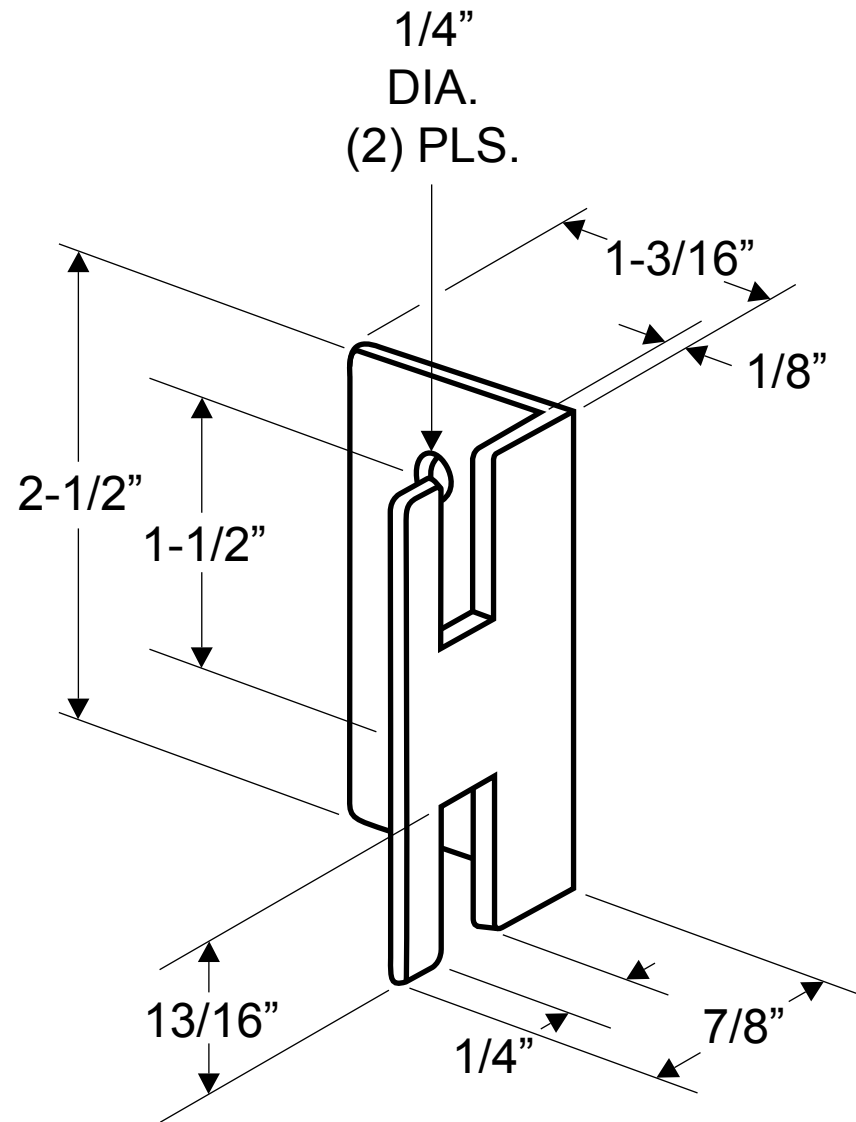


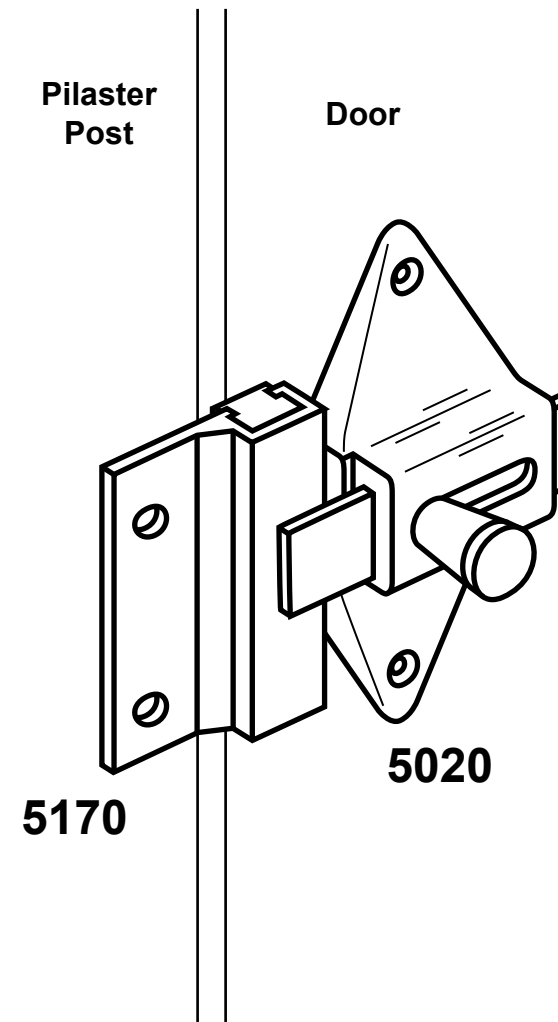
**5180, 5181, 5182, 5183, 5184
(KEEPER - INSWING FLAT)**



NOTE: FOR SQUARE EDGE POST

**INSTRUCTIONS FOR INSTALLING
5160, 5170, 5180 STRIKE & KEEPER
WITH 5020, 5030 SLIDE LATCH**

**OUTSWING
APPLICATION**



**INSWING
APPLICATION**

