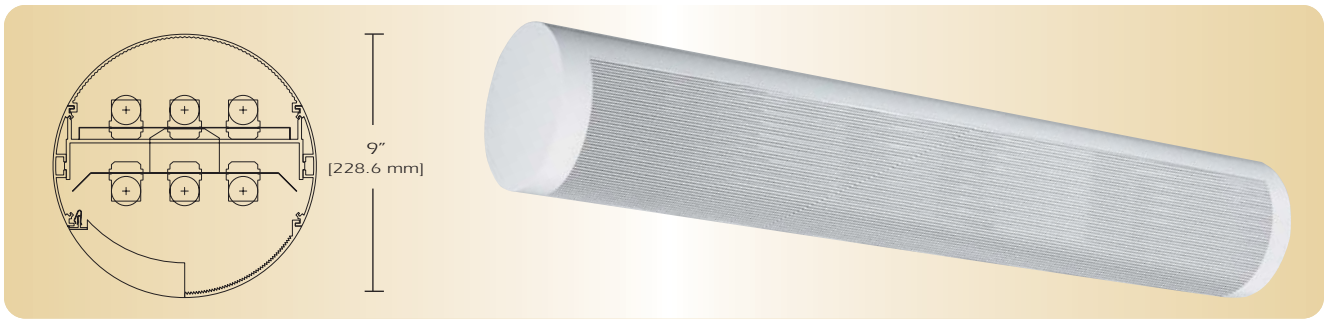


Rounds

AD-RO9-DI



TYPE _____

FEATURES

The AD RO9 DI series is a direct/indirect version of the family of 9" round extruded aluminum luminaires. The series is furnished with a round clear ribbed acrylic lens to provide widespread indirect distribution. A round clear linear acrylic lens or a round radial baffle provides control of down light. The series can be suspended, wall mounted and mounted from wall to wall. These AD RO9 DI can be mounted individually, in perfectly aligned continuous rows, or in any combination of patterns. The AD RO 9 DI provide excellent direct control while softening the overall design effect with the indirect component.

SPECIFICATIONS

Housing: Two piece heavy gauge extruded aluminum 6063T5 alloy welded construction forming a nine-inch round diameter profile. Finished end caps are welded with no exposed hardware or knockouts.

Reflector: Die formed 20-gauge cold rolled steel minimum 90% reflectivity finished in high gloss baked white enamel.

Shielding: Standard lens for direct and indirect lighting is extruded acrylic with linear ribs (ARL) for efficient light distribution. Optional radial aluminum baffle (RAB) is available for direct lighting.

Electrical: Ballast is electronic, high power factor, thermally protected class P, sound rated A, with less than 20% total harmonic distortion. The minimum number of ballasts will be used unless otherwise specified.

Mounting: Standard installation is an adjustable self-locking aircraft assembly 48" x 3/32" in diameter with 5" canopy. One 16/4 SJT straight 54" cord is supplied with each power feed. Standard pendants are available in 24" lengths. See Accessories for additional mounting.

Finish: Fixture housing and steel components are finished in baked white enamel applied over a five-stage pretreatment process.

Lamps: Fixtures are provided for use with two to six 32 watt T8 lamp or 54 watt T5 HO lamps. Up light can only be with acrylic ribbed lens. (Supplied by Others)

Certification: Luminaires are U. L. Listed, C. S. A. certified and are Union Made in the United States of America I.B.E.W.

ORDERING GUIDE

MODEL NO.	DIRECTION	SHIELDING/ UP	SHIELDING/ DOWN	LAMPS/ UP	LAMPS/ DOWN	MOUNTING	LENGTH	FINISH	VOLTAGE	OPTIONS
AD-RO9	- DI	- /U	- /D	- /U	- /D	- [] - []	- [] - []	- [] - []	- [] - []	- []
AD-RO9	DI =Direct/ Indirect	ARL =Acrylic Ribbed Lens	ARL =Acrylic Ribbed Lens RAB =Radial Aluminum Baffle	132T8 232T8 332T8 154T5 HO 254T5 HO 354T5 HO O =Other Specify	132T8 232T8 332T8 154T5 HO 254T5 HO 354T5 HO O =Other Specify	AC = Cable PD = Pendant WM = Wall Mounted WW = Wall To Wall See Accessories	4 = 4 ft 8 = 8 ft for other, please enter row length (eg. 48=48ft)	W = White CC = Custom Color	120v 277v	See Options Below

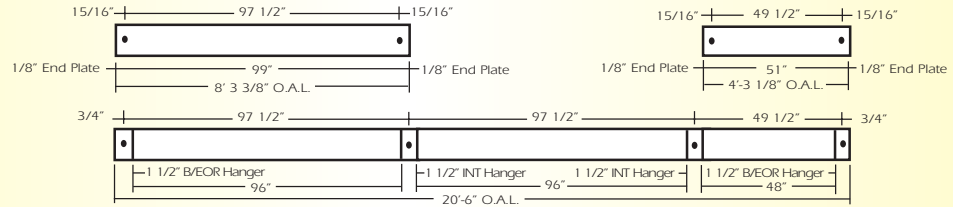
Example: **AD-RO9-DI-ARL/U-RAB/D-232T8/U-332T8/D-AC-4-W-120V**
 Example: AD-RO9 direct/indirect with acrylic ribbed linear lens up and radial aluminum baffle down for two 32 watt T8 lamp up and three 32 watt T8 lamp down including two 48inch aircraft cables and power feed four foot fixture finished in baked white enamel 120v electronic ballast less than 20% total harmonic distortion.

OPTIONS

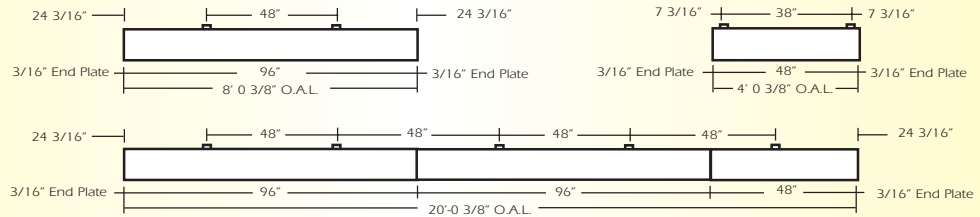
- E10=** Electronic ballast, high power factor, thermally protected class P, sound rated A, < 10% total harmonic distortion
- DIM=** Dimming Ballast
- EPC=** Emergency Battery Pack
- EMC=** Emergency Circuit
- TCW=** Two Circuit Wiring
- TDW=** Tandem Wiring
- OTH=** See Accessories for other options available

LINEAR SECTIONS AND SUSPENSION LOCATION

SUSPENSION MOUNTING

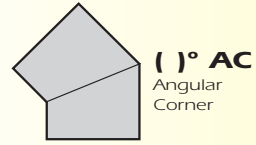
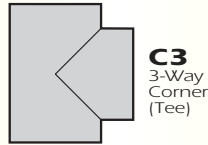
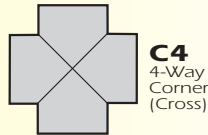
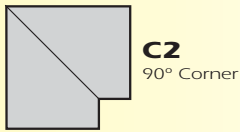


WALL MOUNTING



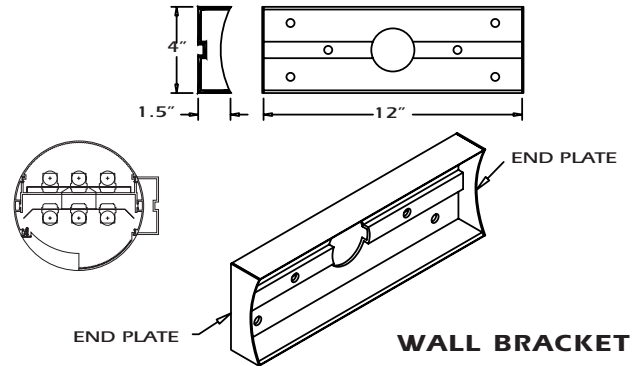
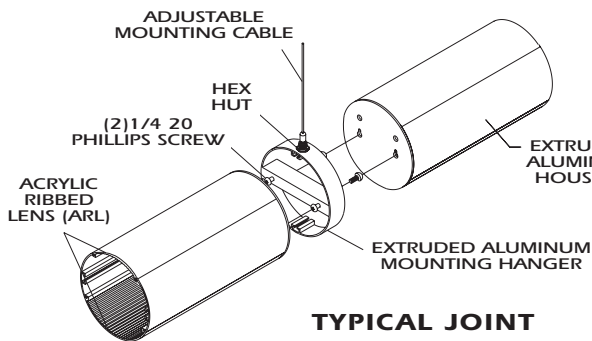
CORNERS

Corners and fixture extensions are custom fabricated to precise dimensions. Please indicate the specific requirements on the layout

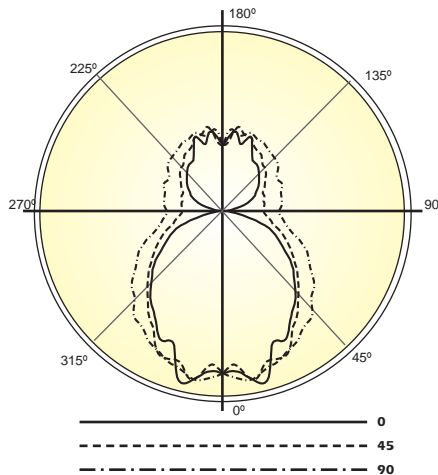


For any angular corner, ()° must be specified and dimensions must be included on the layout
For any pattern, a layout must accompany the order.

INSTALLATION PREPARATION



PHOTOMETRY



LAMP (6) 32W T8
LUMENS: 2900 PER LAMP
ARL-LENS

Candela Distribution:

Vert. Angle	0	22.5	45	67.5	90
0	1478	1478	1478	1478	1478
5	1462	1619	1398	1435	1532
15	1573	1503	1444	1514	1479
25	1296	1233	1408	1411	1401
35	1108	1082	1178	1315	1284
45	917	929	972	1110	1132
55	723	738	794	927	985
65	535	516	633	745	837
75	258	364	470	595	616
85	49.6	209	383	509	524
95	44.8	185	369	473	531
105	179	244	377	505	542
115	311	322	397	518	589
125	390	402	464	584	598
135	461	492	546	662	670
145	523	544	607	676	696
155	621	616	657	687	724
165	626	693	722	725	710
175	685	692	643	697	740
180	596	596	596	596	596

Optical Distribution:
63% Direct: 37% Indirect

Coefficients of Utilization - Zonal Cavity Method:

pfc = 0.20

	.8	.7	.5	.3	.1	0												
pcc	.8	.7	.5	.3	.1	0												
pw	.7	.5	.3	.1	.5	.3	.1	0										
RCR	0	50	50	50	47	47	47	47	41	41	41	35	35	35	30	30	30	28
1	45	42	40	38	42	40	38	36	34	33	32	30	29	28	25	24	22	22
2	40	36	33	31	38	34	31	29	30	28	26	26	24	22	22	21	19	18
3	37	32	28	25	34	30	26	24	26	23	21	22	20	19	19	18	16	14
4	33	28	24	21	31	26	23	20	23	20	18	20	18	16	17	15	14	12
5	31	25	21	18	28	23	20	17	20	17	15	18	15	13	15	13	12	10
6	28	22	18	15	26	21	17	15	18	15	13	16	14	12	14	12	10	9
7	26	20	16	13	24	19	15	13	17	14	11	14	12	10	12	10	9	8
8	24	18	14	12	22	17	14	11	15	12	10	13	11	9	11	9	8	7
9	22	16	13	10	21	16	12	10	14	11	9	12	10	8	10	9	7	6
10	21	15	12	9	19	14	11	9	13	10	8	11	9	7	10	8	6	6



Total Luminaire Optical Efficiency = 45.8%