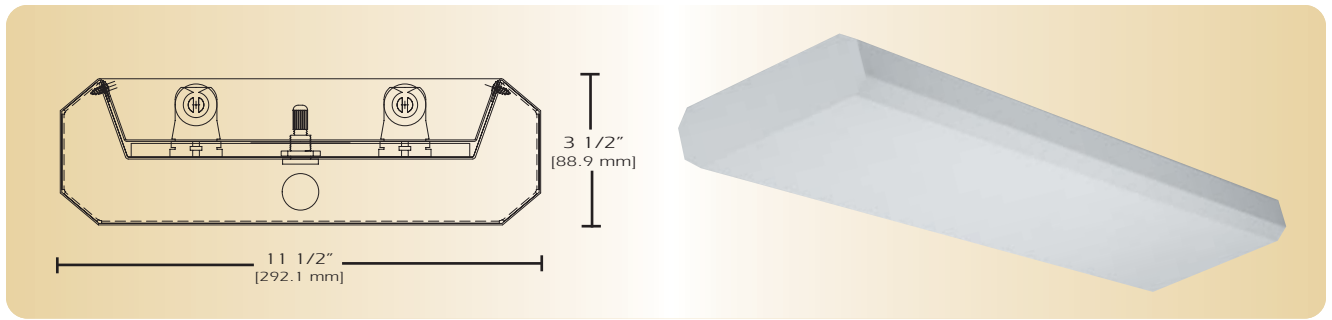


# General Illumination

AP3 I



TYPE \_\_\_\_\_

FEATURES

The AP3 beveled steel luminaire is distinguished by its low profile and contemporary design. This high quality luminaire is suitable for most lighting systems and can be mounted to suite any project. The highly efficient design produces a uniform indirect light distribution. The AP3 is ideal where style, quality and performance applications apply.

SPECIFICATIONS

**Housing:** One piece die formed 20-gauge cold rolled steel welded construction forming a 3 1/2" x 11 1/2" beveled profile. Finished end caps are laser cut 18-gauge cold rolled steel, with no exposed hardware or knockouts.

**Reflector:** Two part reflector system is designed with specular aluminum side reflectors and die formed 20-gauge cold rolled steel bottom reflector finished in high gloss bake white enamel minimum 90% reflectivity.

**Electrical:** Ballast is electronic, high power factor, thermally protected class P, sound rated A, with less than 20% total harmonic distortion. The minimum number of ballasts will be used unless otherwise specified.

**Mounting:** Standard Installation is an adjustable self-locking aircraft cable assembly 48" x 3/32" in diameter with 5" canopy. One 16/4 SJT straight 54" cord is supplied with each power feed. Standard pendants are available in 24" lengths. See Accessories for additional mounting.

**Finish:** Fixture housing and steel components are finished in baked white enamel applied over a five-stage pretreatment process.

**Lamps:** Fixtures are provided for use with one, two or three 32 watt T8 lamps or 54 watt T5 HO lamps. (Supplied by Others)

**Certification:** Luminaires are U. L. Listed, C. S. A. certified and are Union Made in the United States of America. I.B.E.W.

ORDERING GUIDE

MODEL NO.	DIRECTION	LAMPS	MOUNTING	LENGTH	FINISH	VOLTAGE	OPTIONS
<b>AP3</b>	<b>I</b>	<b>132 T8</b> <b>232 T8</b> <b>332 T8</b> <b>154T5 HO</b> <b>254T5 HO</b> <b>354T5 HO</b>	<b>AC= Cable</b> <b>PD= Pendant</b>	<b>4= ft</b> <b>8= ft</b>	<b>W= White</b> <b>CC= Custom Color</b>	<b>120v</b> <b>277v</b>	<b>See Options Below</b>
<b>AP3</b>	<b>I= Indirect</b>	<b>O=Other Specify</b>	See Accessories	for other, please enter row length (eg. 48=48ft)			

Example: **AP3-I-232T8-AC-4-W-120V**

AP3 indirect for two 32 watt T8 lamps including two 48 inch aircraft cables and power feed four foot fixture finished in baked white enamel 120v electronic ballast less than 20% total harmonic distortion.

OPTIONS

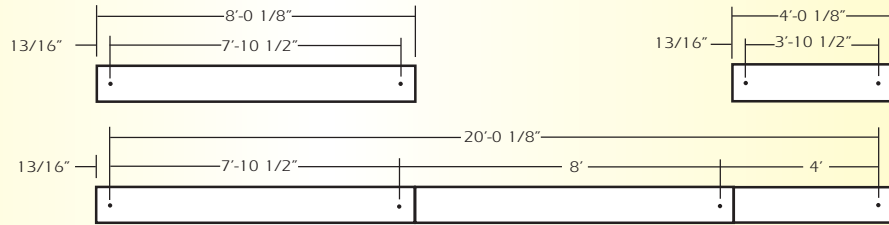
- E10=** Electronic ballast, high power factor, thermally protected class P, sound rated A, < 10% total harmonic distortion
- DIM=** Dimming Ballast
- EPC=** Emergency Battery Pack
- EMC=** Emergency Circuit
- TCW=** Two Circuit Wiring
- TDW=** Tandem Wiring
- OTH=** See Accessories for other options available

# General Illumination

AP3 I

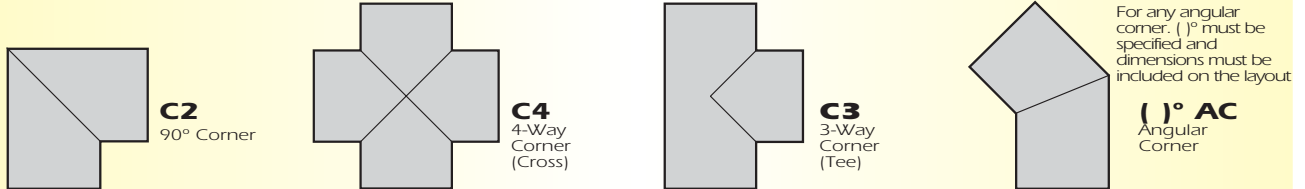
LINEAR SECTIONS AND SUSPENSION LOCATION

## SUSPENSION MOUNTING



## CORNERS

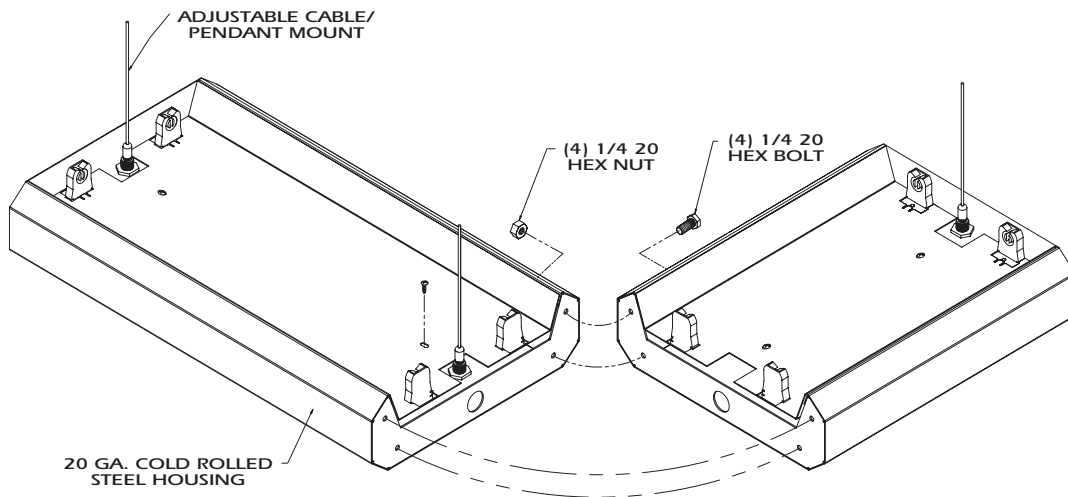
Corners and fixture extensions are custom fabricated to precise dimensions. Please indicate the specific requirements on the layout



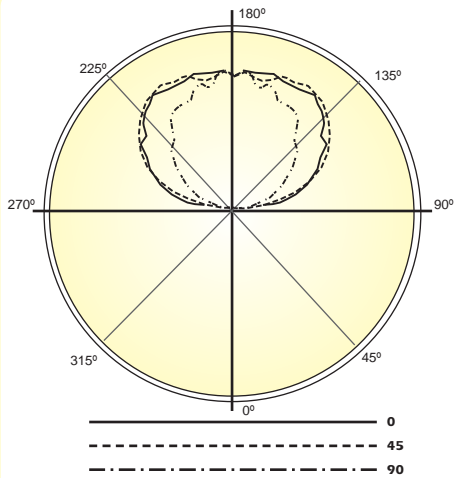
For any angular corner, (J)° must be specified and dimensions must be included on the layout

For any pattern, a layout must accompany the order.

INSTALLATION PREPARATION



PHOTOMETRY



LAMP (2) 32W T8  
LUMENS: 2900 PER LAMP

## Candela Distribution:

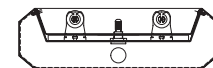
Vert. Angle	0	22.5	45	67.5	90
90	8.08	18.1	19.7	20.7	16.5
95	69.0	141	189	204	201
100	161	292	383	443	444
105	273	413	538	628	646
110	371	527	676	786	808
115	467	607	790	943	952
120	576	717	902	1041	1071
125	679	784	972	1124	1161
130	759	875	1021	1207	1255
135	882	967	1116	1245	1318
140	912	1020	1185	1288	1367
145	1076	1091	1217	1339	1405
150	1116	1177	1283	1400	1415
155	1218	1219	1295	1378	1382
160	1208	1253	1301	1320	1390
165	1227	1243	1313	1343	1321
170	1247	1242	1256	1271	1316
175	1310	1278	1317	1268	1357
180	1318	1318	1318	1318	1318

Optical Distribution:  
100% Indirect

## Coefficients of Utilization - Zonal Cavity Method:

pfc = 0.20

	.8	.7	.5	.3	.1	0												
pcc	.8	.7	.5	.3	.1	0												
pw	.7	.5	.3	.1	.5	.3	.1	.5	.3	.1	0							
RCR																		
0	82	82	82	82	70	70	70	70	48	48	48	27	27	27	8	8	8	0
1	75	71	68	65	64	61	59	56	42	40	39	24	23	22	7	7	7	0
2	68	62	57	53	58	53	49	46	36	34	32	21	20	18	6	6	6	0
3	62	54	49	44	53	47	42	38	32	29	27	18	17	15	6	5	5	0
4	56	48	42	37	48	41	36	32	28	25	22	16	14	13	5	4	4	0
5	52	42	36	31	44	36	31	27	25	22	19	14	12	11	4	4	3	0
6	47	38	31	27	40	32	27	23	22	19	16	13	11	9	4	3	3	0
7	43	34	27	23	37	29	24	20	20	16	14	11	9	8	3	3	2	0
8	40	30	24	20	34	26	21	17	18	14	12	10	8	7	3	2	2	0
9	37	27	21	17	31	23	18	15	16	13	11	9	7	6	3	2	2	0
10	34	25	19	15	29	21	16	13	15	11	9	8	7	5	2	2	1	0



Total Luminaire Optical Efficiency = 86.9%

S.C.W.-2