

# General Illumination

PTP-I



TYPE \_\_\_\_\_

FEATURES

The PTP architectural linear series is an extraordinarily efficient steel luminaires. The PTP I is designed with indirect distribution for suspended mounting. This series can be mounted individually, in perfectly aligned continuous rows or in any of combination of patterns. The PTP series is an ideal solution for open spaces and provides maximum design versatility.

SPECIFICATIONS

**Housing:** Die formed 20-gauge cold rolled steel welded construction. Finished end caps are laser cut 18-gauge cold rolled steel, with no exposed hardware or knockouts. Housing aligners provide precision alignment for continuous rows.

**Reflector:** Die formed 20-gauge cold rolled steel minimum 90% reflectivity finished in high gloss baked white enamel.

**Electrical:** Ballast is electronic, high power factor, thermally protected class P, sound rated A, with less than 20% total harmonic distortion. The minimum number of ballasts will be used unless otherwise specified.

**Mounting:** Standard Installation is an adjustable self-locking aircraft cable assembly 48" x 3/32" in diameter with 5" canopy. One 16/4 SJT straight 54" cord is supplied with each power feed. Standard pendants are available in 24" lengths. See Accessories for additional mounting.

**Finish:** Fixture housing and steel components are finished in baked white enamel applied over a five-stage pretreatment process.

**Lamps:** Fixtures are provided for use with one or two 32 watt T8 lamps or 54 watt T5 HO lamps. (Supplied by Others)

**Certification:** Luminaires are U. L. Listed, C. S. A. certified and are Union Made in the United States of America. I.B.E.W.

ORDERING GUIDE

MODEL NO.	DIRECTION	NO. OF LAMPS	LAMPS	MOUNTING	LENGTH	FINISH	VOLTAGE	OPTIONS
<b>PTP</b>	<b>I</b>	<b>1</b>	<b>17 T8 (2')</b>	<b>AC</b>	<b>2</b>	<b>W</b>	<b>120v</b>	
<b>PTP</b>	<b>I= Indirect</b>	<b>2= 2</b>	<b>25 T8 (3')</b>	<b>PD= Pendant</b>	<b>3= ft</b>	<b>CC= Custom Color</b>	<b>277v</b>	<b>See Options Below</b>
			<b>40 T8 (5')</b>		<b>4= ft</b>			
			<b>28 T5 (4')</b>		<b>5= ft</b>			
			<b>54 T5 HO (4')</b>		<b>6= ft</b>			
			<b>O=Other Specify</b>	<b>See Accessories</b>	<b>8= ft</b>			
					for other, please enter row length (eg. 48=48ft)			

Example: **PTP-I-232T8-AC-4-W-120V**

PTP indirect for two 32 watt T8 lamps with two48 inch aircraft cables and power feed four foot fixture finished in baked white enamel with 120v electronic ballast less than 20% harmonic distortion.

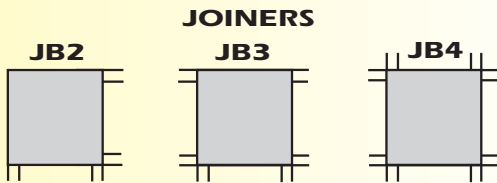
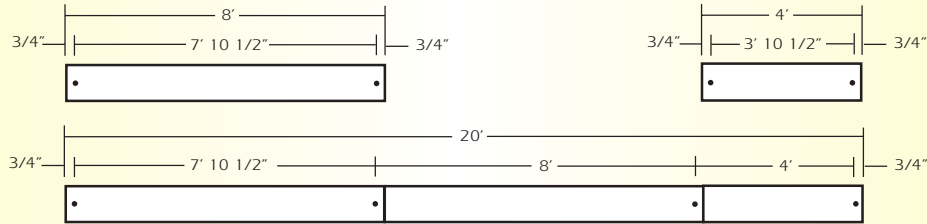
OPTIONS

- E10=** Electronic ballast, high power factor, thermally protected class P, sound rated A, < 10% total harmonic distortion
- DIM=** Dimming Ballast
- EPC=** Emergency Battery Pack
- EMC=** Emergency Circuit
- TCW=** Two Circuit Wiring
- OTH=** See Accessories for other options available

# General Illumination

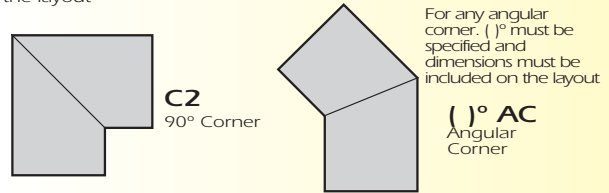
PTP-1

LINEAR SECTIONS AND SUSPENSION LOCATION

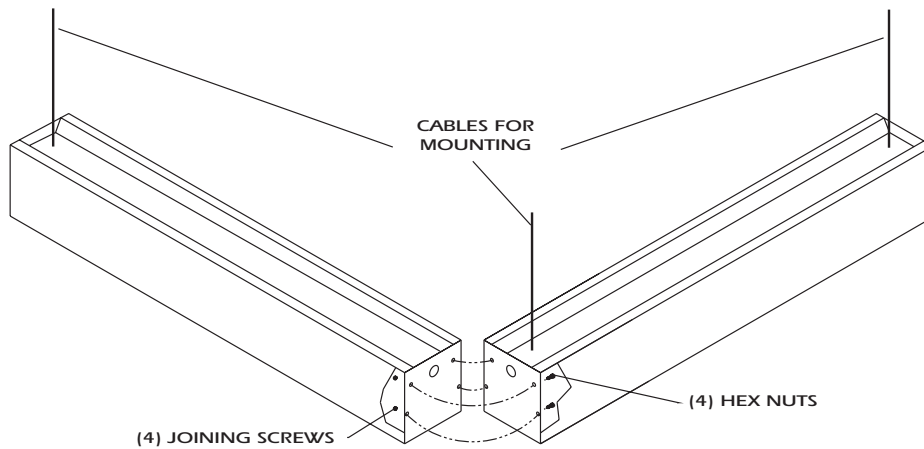


**JB2**  
JB2-90° (Corner) Joiner Box  
**JB3**  
JB3-3-Way (Tee) Joiner Box  
**JB4**  
JB4-4-Way (Cross) Joiner Box

**CORNERS** Corners and fixture extensions are custom fabricated to precise dimensions. Please indicate the specific requirements on the layout

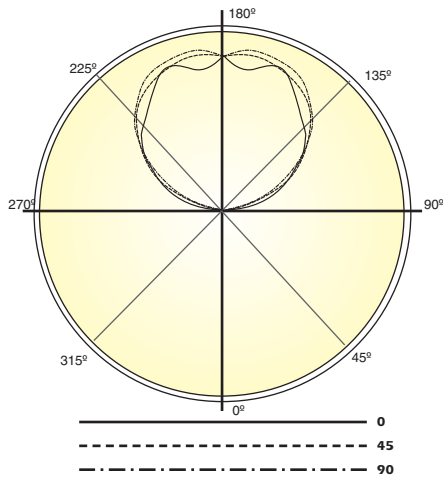


INSTALLATION PREPARATION



TYPICAL JOINT DETAIL

PHOTOMETRY



LAMP (2) 32W T8  
LUMENS: 2900 PER LAMP

**Candela Distribution:**

Vert. Angle	0	22.5	45	67.5	90
90	6.06	0.520	0.250	0.140	00
95	71.0	45.1	7.84	1.55	0.220
100	189	184	113	65.7	49.5
105	297	333	283	232	196
110	413	469	440	410	391
115	506	595	579	579	569
120	614	704	725	714	712
125	729	820	866	865	856
130	801	905	977	1004	1004
135	931	999	1080	1113	1129
140	989	1080	1171	1207	1281
145	1104	1170	1268	1310	1315
150	1172	1232	1315	1370	1422
155	1187	1284	1360	1441	1434
160	1338	1311	1372	1420	1445
165	1335	1340	1355	1376	1394
170	1291	1317	1345	1347	1374
175	1287	1371	1367	1407	1292
180	1419	1419	1419	1419	1419

Optical Distribution:  
100% Indirect

**Coefficients of Utilization - Zonal Cavity Method:**

pfc = 0.20

	.8	.7	.5	.3	.1	0												
pcc	.8	.7	.5	.3	.1	0												
pw	.7	.5	.3	.1	.5	.3	.1	.5	.3	.1	0							
RCR																		
0	70	70	70	70	60	60	60	60	41	41	41	23	23	23	7	7	7	0
1	64	61	58	56	54	52	50	48	35	34	33	20	19	19	6	6	6	0
2	58	53	49	45	49	45	42	39	31	29	27	18	17	16	5	5	5	0
3	53	46	41	37	45	40	36	32	27	25	23	15	14	13	5	4	4	0
4	48	41	35	31	41	35	30	27	24	21	19	14	12	11	4	4	3	0
5	44	36	30	26	37	31	26	23	21	18	16	12	10	9	4	3	3	0
6	40	32	26	23	34	27	23	20	19	16	14	11	9	8	3	3	2	0
7	37	29	23	19	31	24	20	17	17	14	12	10	8	7	3	2	2	0
8	34	26	20	17	29	22	18	15	15	12	10	9	7	6	2	2	2	0
9	31	23	18	15	27	20	16	13	14	11	9	8	6	5	2	2	1	0
10	29	21	16	13	25	18	14	11	12	10	8	7	5	4	2	1	1	0



Total Luminaire Optical Efficiency = 73.9%