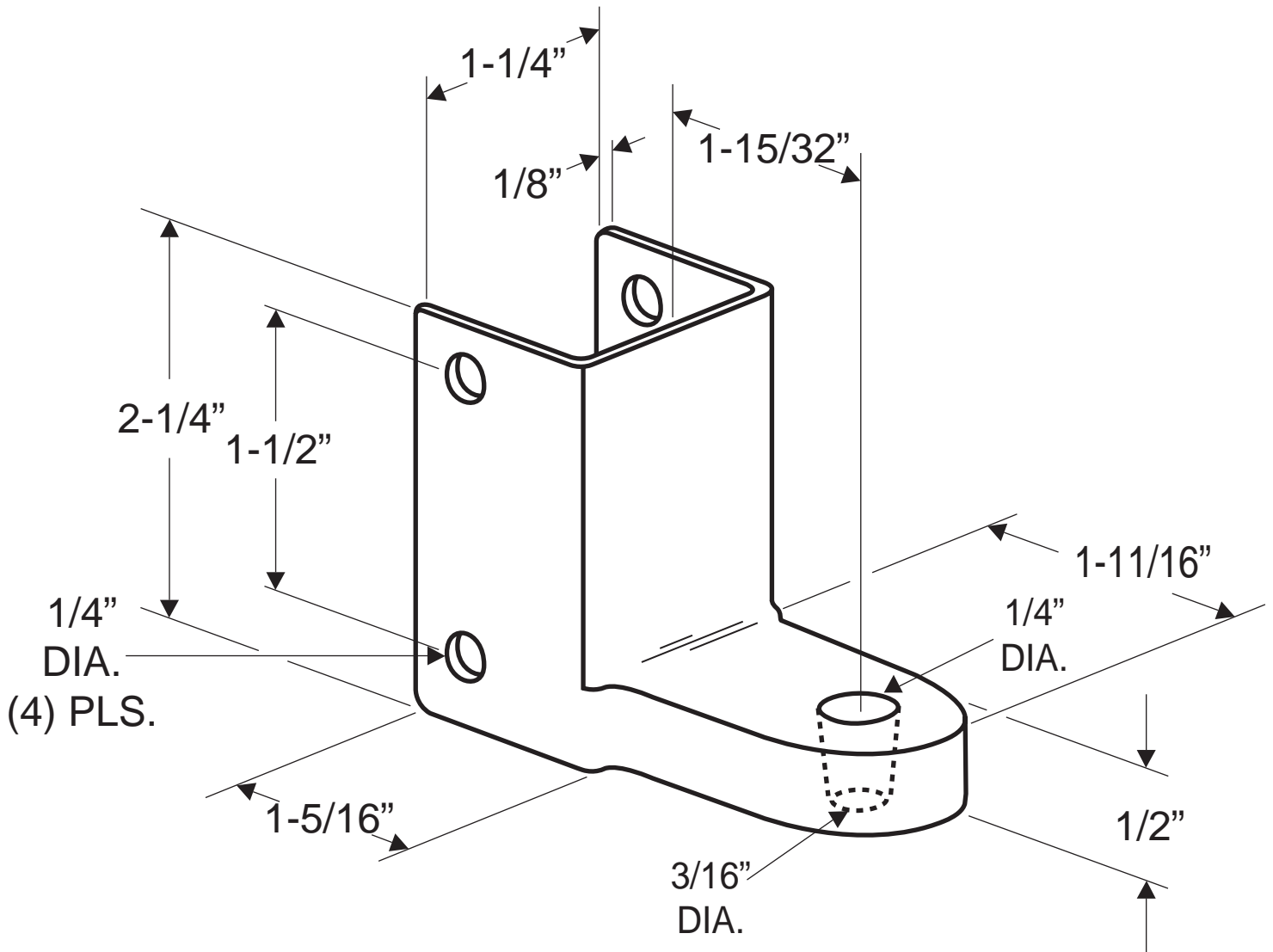


**3530, 3533
(PIVOT HINGE - BOTTOM 1-1/4")**



NOTE: USED WITH 3860, 3863 TOP HINGE