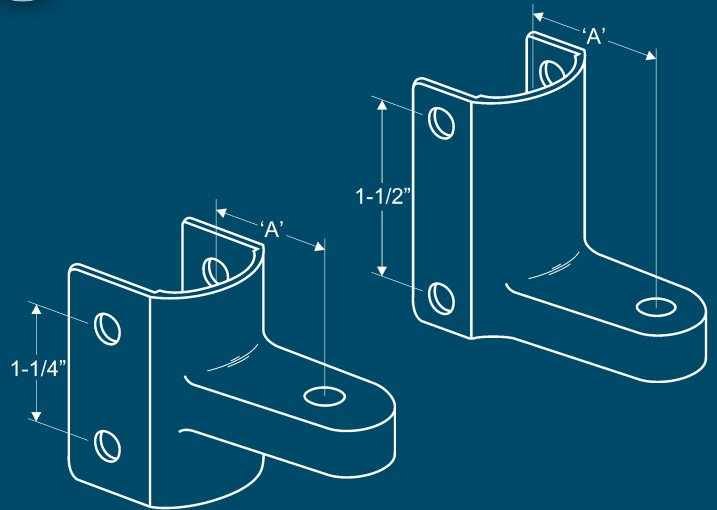
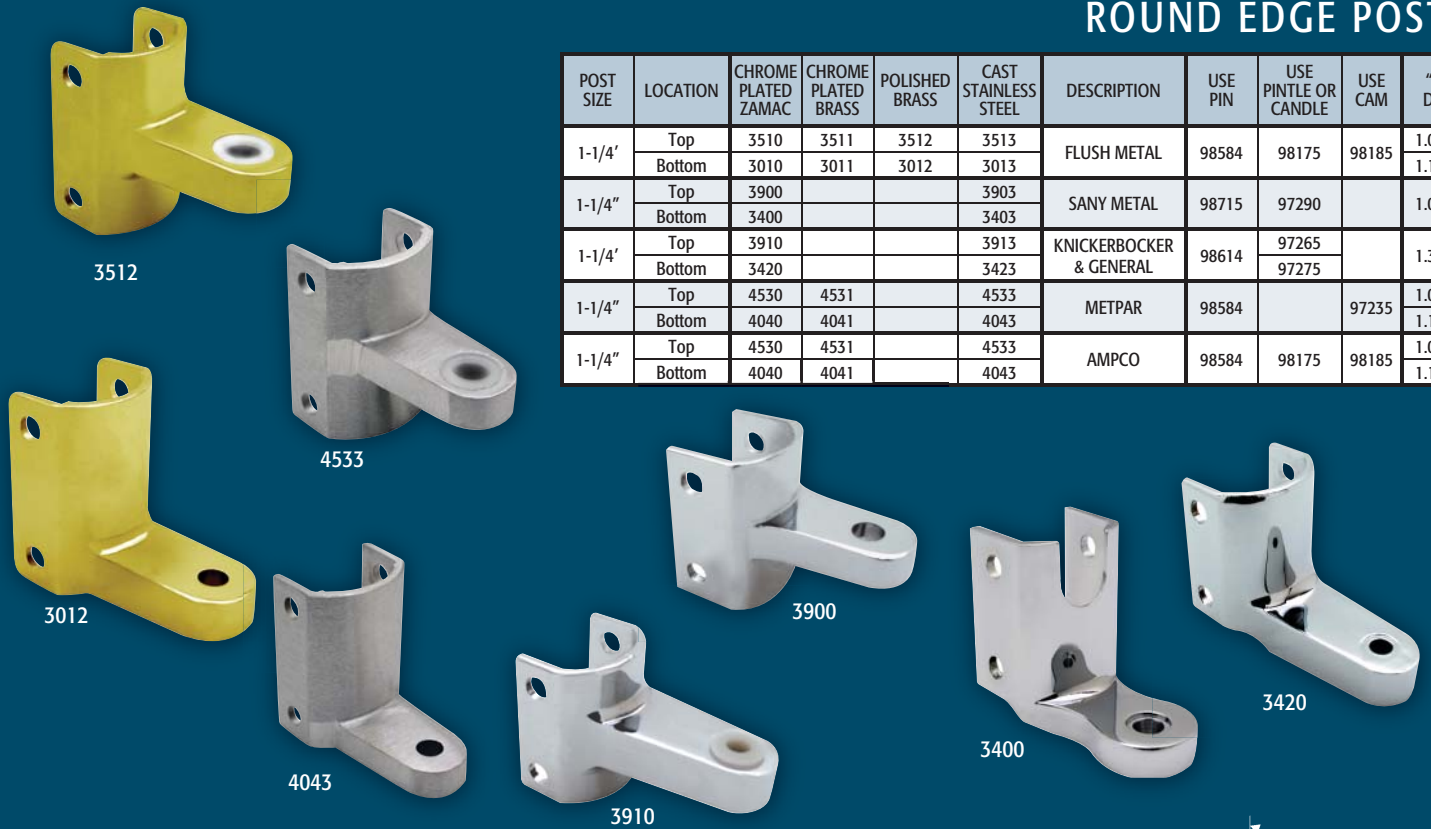


Wrap Around Gravity Pivot Hinges

ROUND EDGE POSTS

POST SIZE	LOCATION	CHROME PLATED ZAMAC	CHROME PLATED BRASS	POLISHED BRASS	CAST STAINLESS STEEL	DESCRIPTION	USE PIN	USE PINTLE OR CANDLE	USE CAM	"A" DIM
1-1/4"	Top	3510	3511	3512	3513	FLUSH METAL	98584	98175	98185	1.083"
	Bottom	3010	3011	3012	3013					1.156"
1-1/4"	Top	3900			3903	SANY METAL	98715	97290		1.065"
	Bottom	3400			3403					
1-1/4"	Top	3910			3913	KNICKERBOCKER & GENERAL	98614	97265		1.385"
	Bottom	3420			3423					
1-1/4"	Top	4530	4531		4533	METPAR	98584		97235	1.070"
	Bottom	4040	4041		4043					1.104"
1-1/4"	Top	4530	4531		4533	AMPCO	98584	98175	98185	1.070"
	Bottom	4040	4041		4043					1.104"



FLATS

LOCATION	CHROME PLATED ZAMAC	CHROME PLATED BRASS	POLISHED BRASS	CAST STAINLESS STEEL	DESCRIPTION	USE PIN	USE PINTLE OR CANDLE	USE CAM	"A" DIM	
Top	3710			3713	ACCURATE				1.200"	
Bottom	3210			3213						
Top	3740	3741		3743	AMPCO (LAMINATE)	99585	98265	98275	1.250"	
Bottom	3240	3241		3243						
Top	3880			3883	AMPCO & METPAR (STEEL)	98584	97245	98175	98185	1.104"
Bottom	3280			3283						
Top	3750	3751	3752	3753	G-3	99109	98265	98275	1.265"	
Bottom	3250	3251	3252	3253			98175	98245		
Top	3940				KNICKERBOCKER (LAMINATE)	98614	97275		1.433"	
Bottom	3870									
Top	3970	3971		3973	KNICKERBOCKER & GENERAL (STEEL)	98614	97275	97265	1.385"	
Bottom	3470	3471		3473						