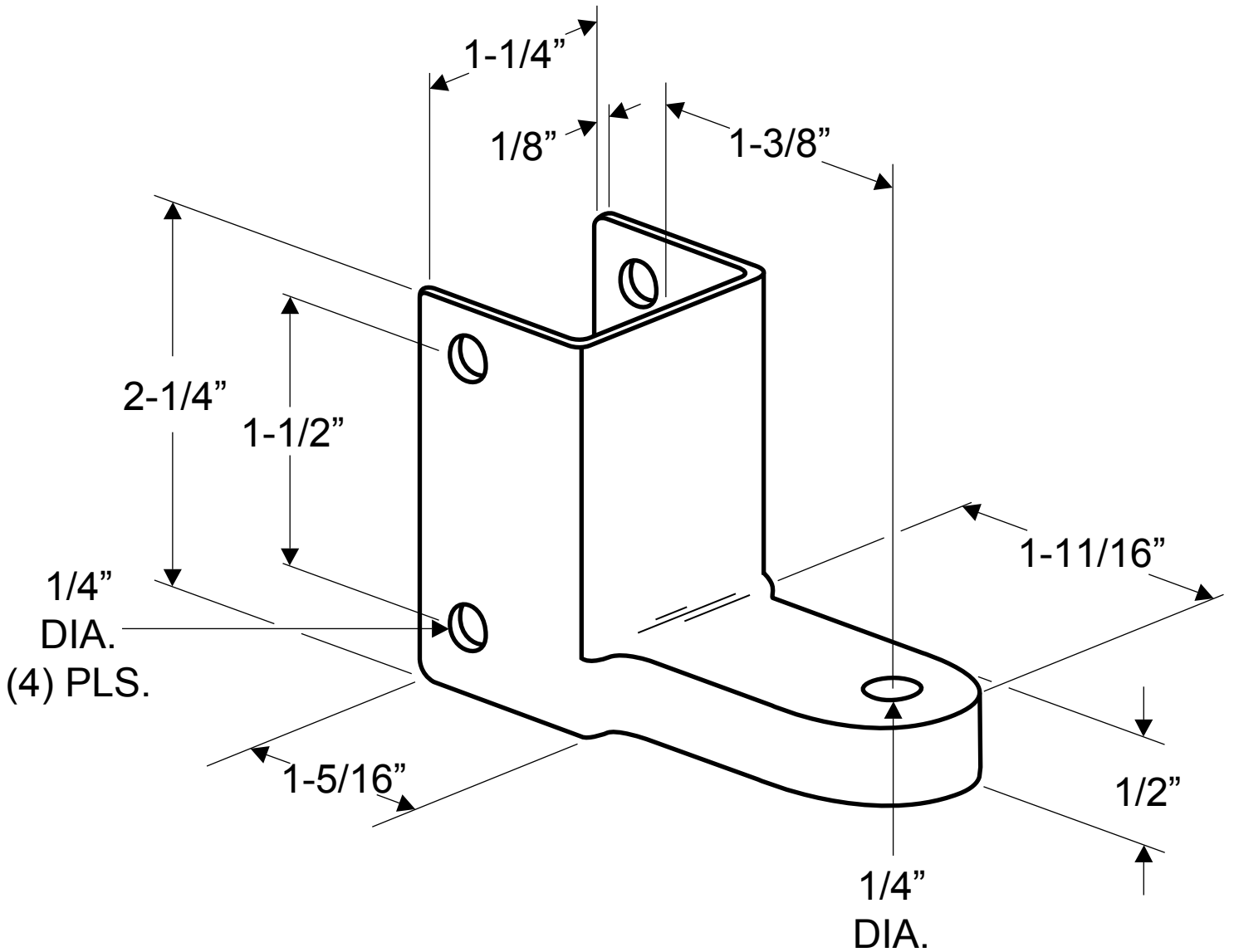


**3310, 3311, 3313
(PIVOT HINGE - BOTTOM 1-1/4")**



NOTE: USED WITH 3810, 3811, 3813 TOP HINGE