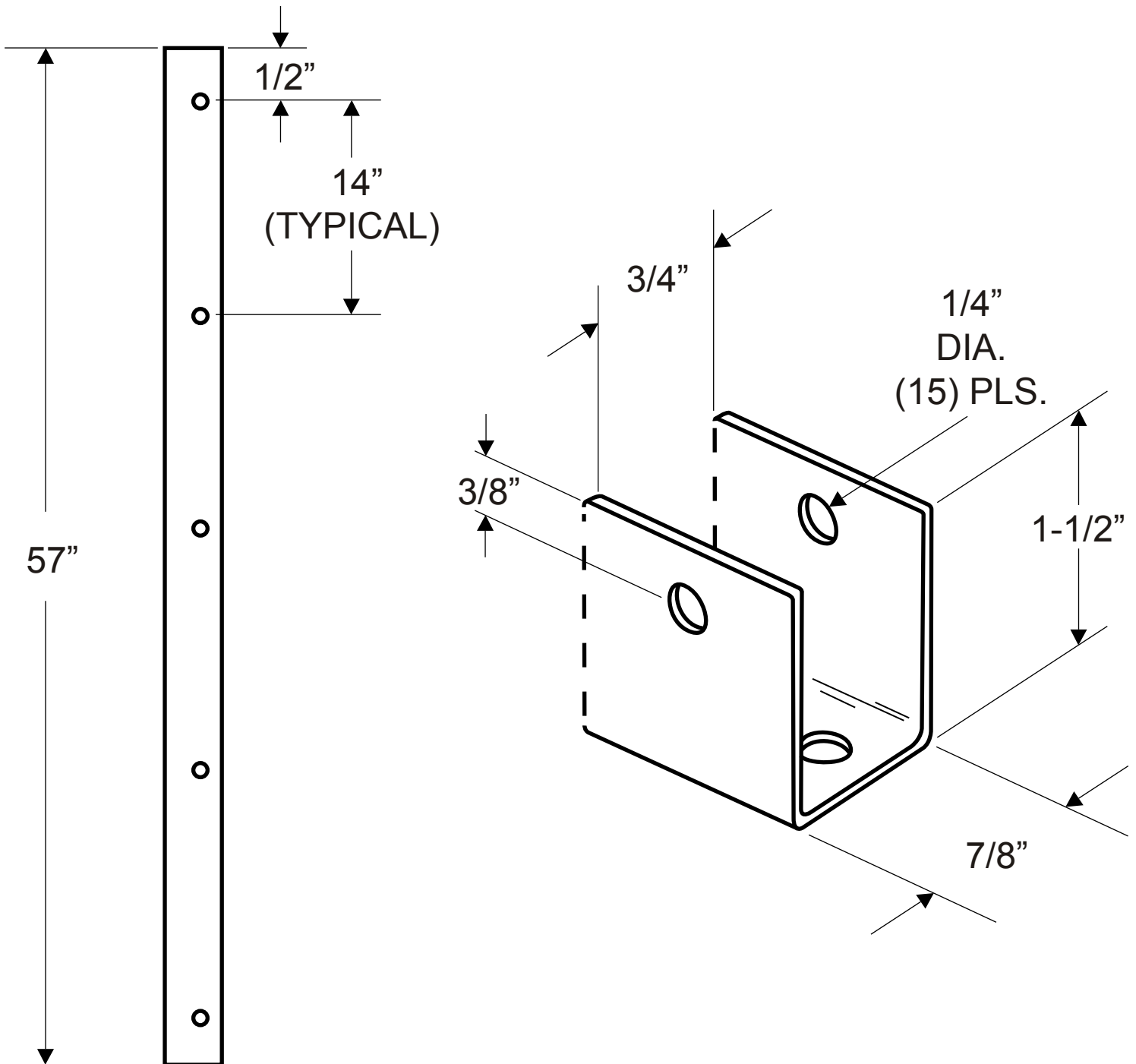


**2069
(U-BRACKET 3/4"x57")**



**NOTE: 18 GAUGE (.050" THICK STAINLESS)
FIVE HOLES IN BASE**