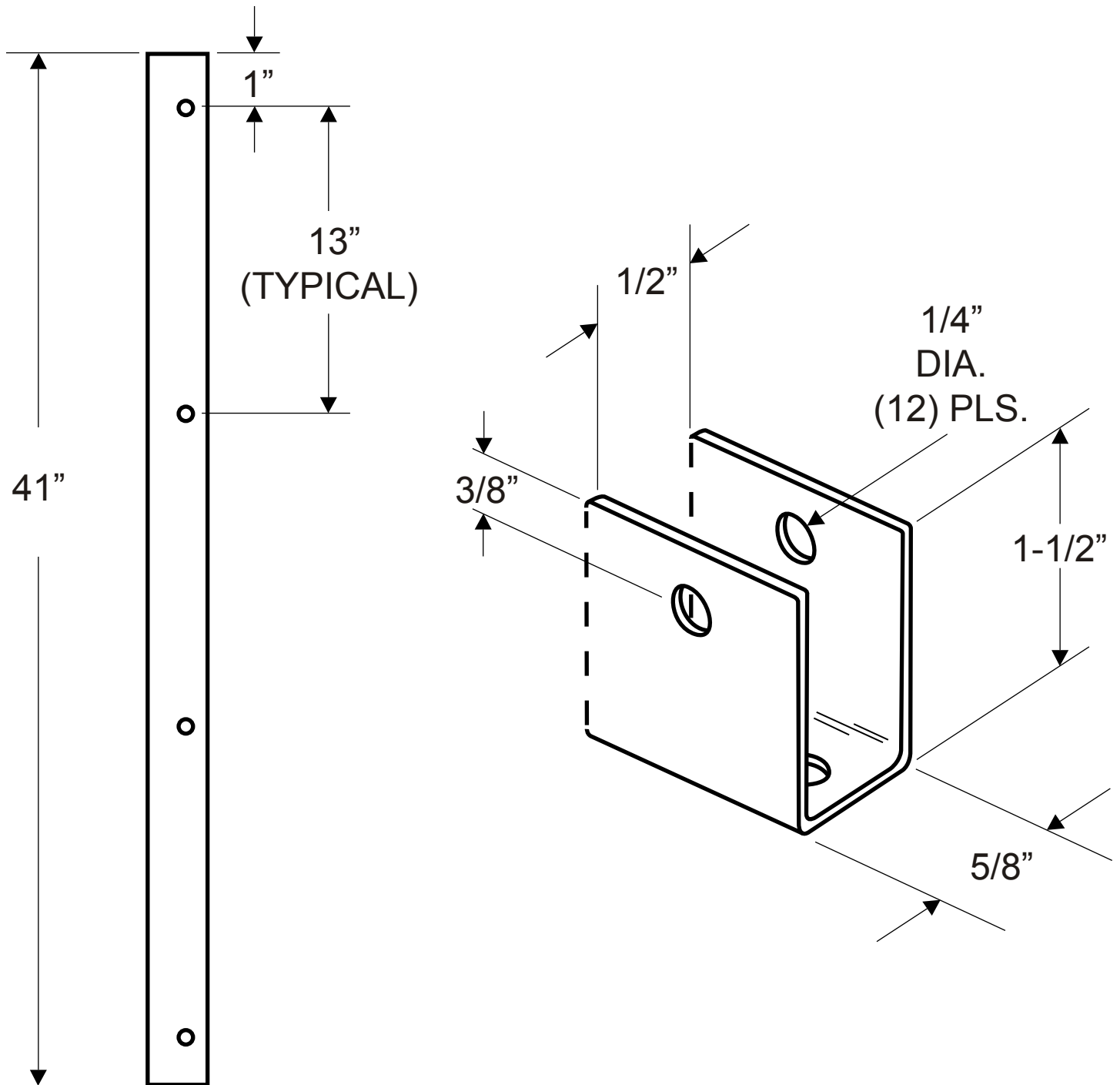


**2039  
(U-BRACKET 1/2"x41")**



**NOTE: 18 GAUGE (.050" THICK STAINLESS)  
FOUR HOLES IN BASE**