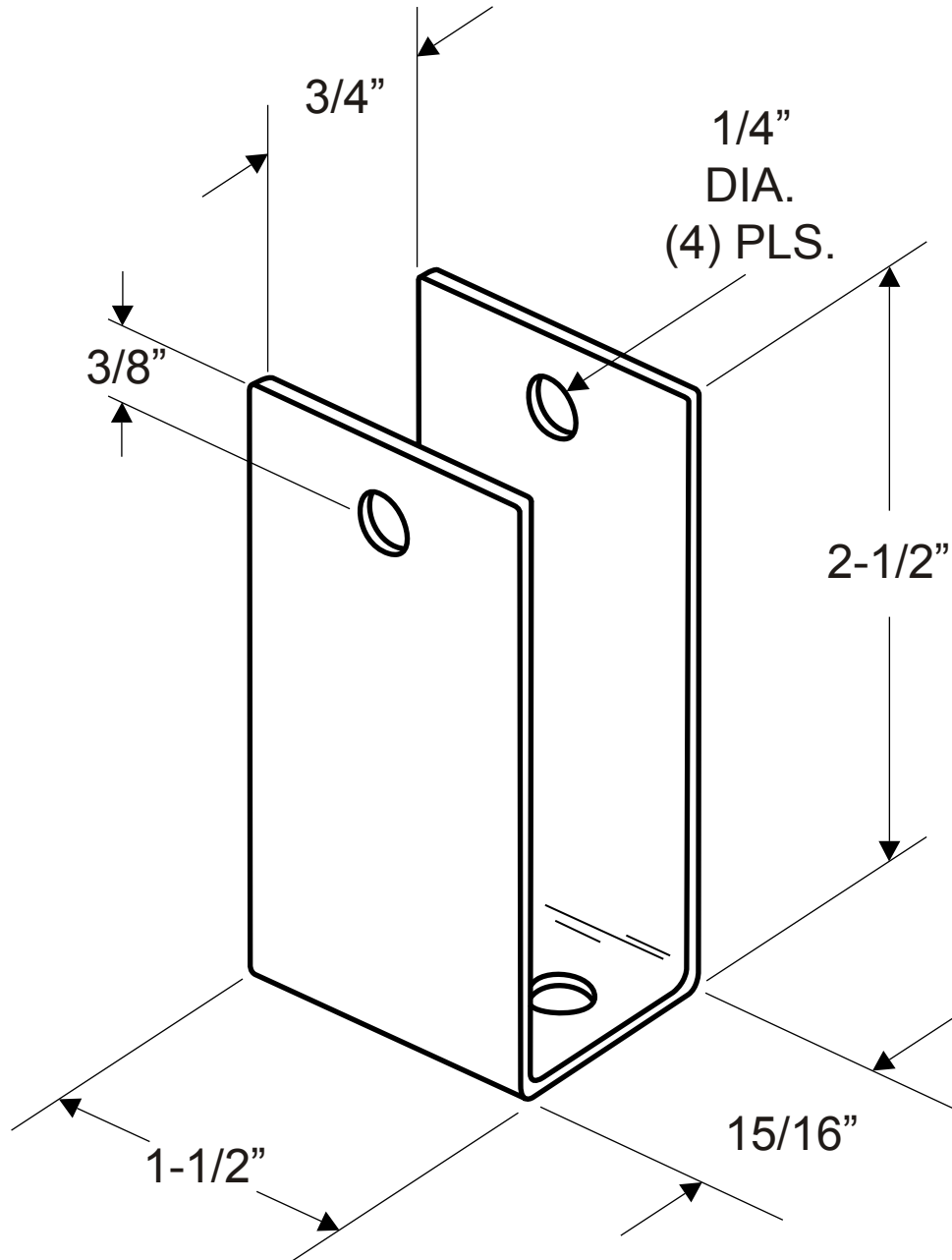


1989
(U-BRACKET X-LONG 3/4")



NOTE: 14 GAUGE (.075" THICK STAINLESS)
TWO HOLES IN BASE