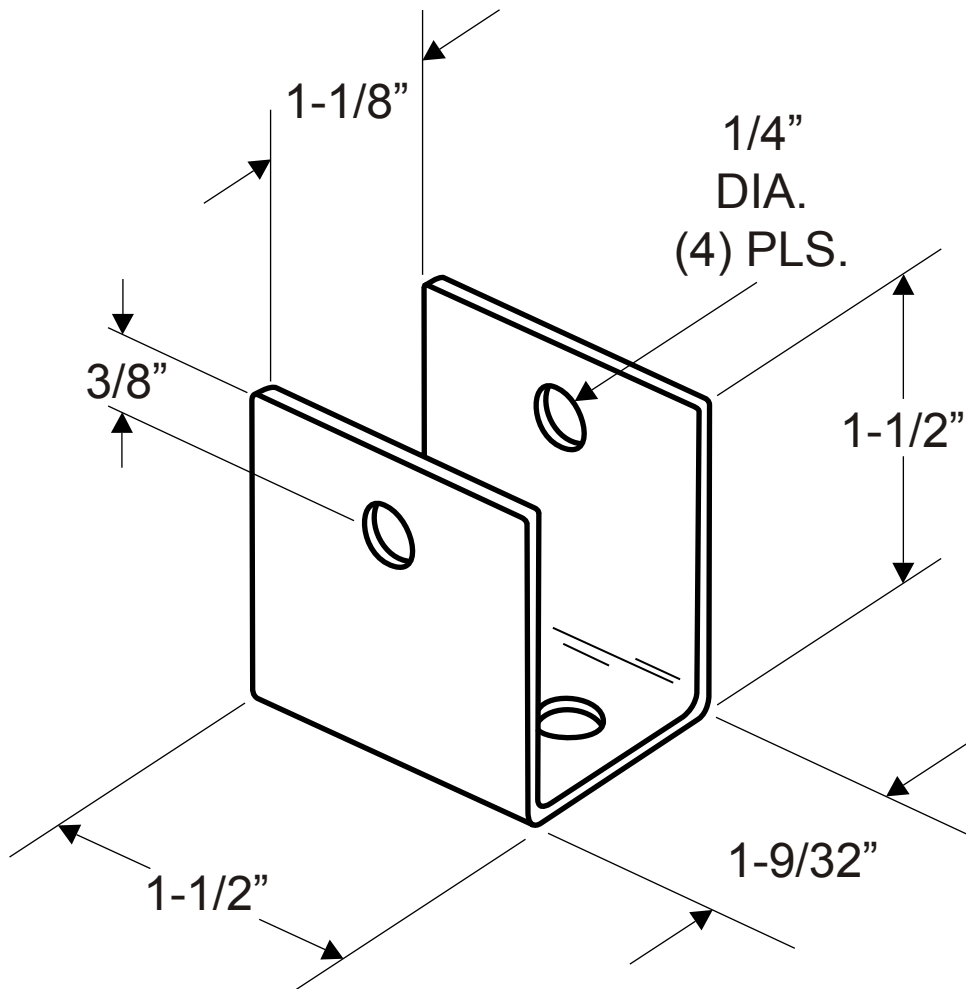


**1939  
(U-BRACKET 1-1/8")**



**NOTE: 14 GAUGE (.075" THICK STAINLESS)  
TWO HOLES IN BASE**