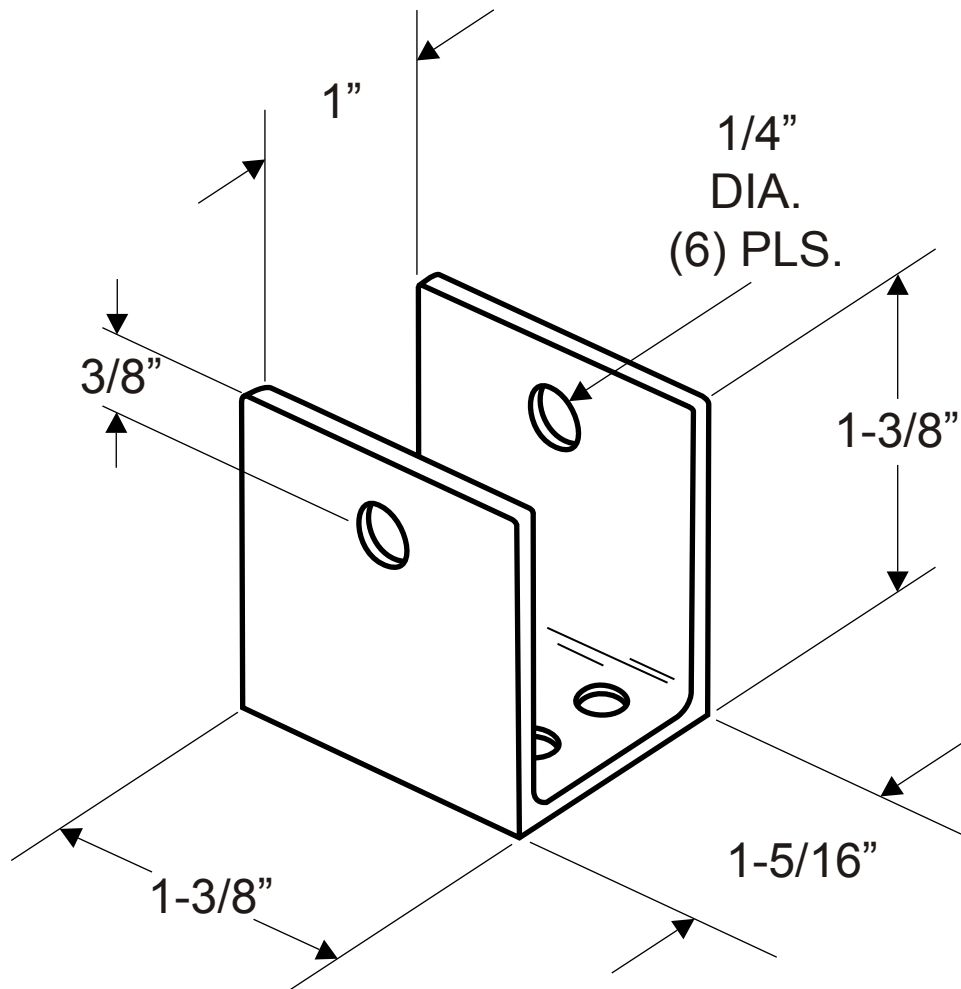


**1911, 1912
(U-BRACKET 1")**



**NOTE: ALL WALL THICKNESS AT 1/8"
FOUR HOLES IN BASE**