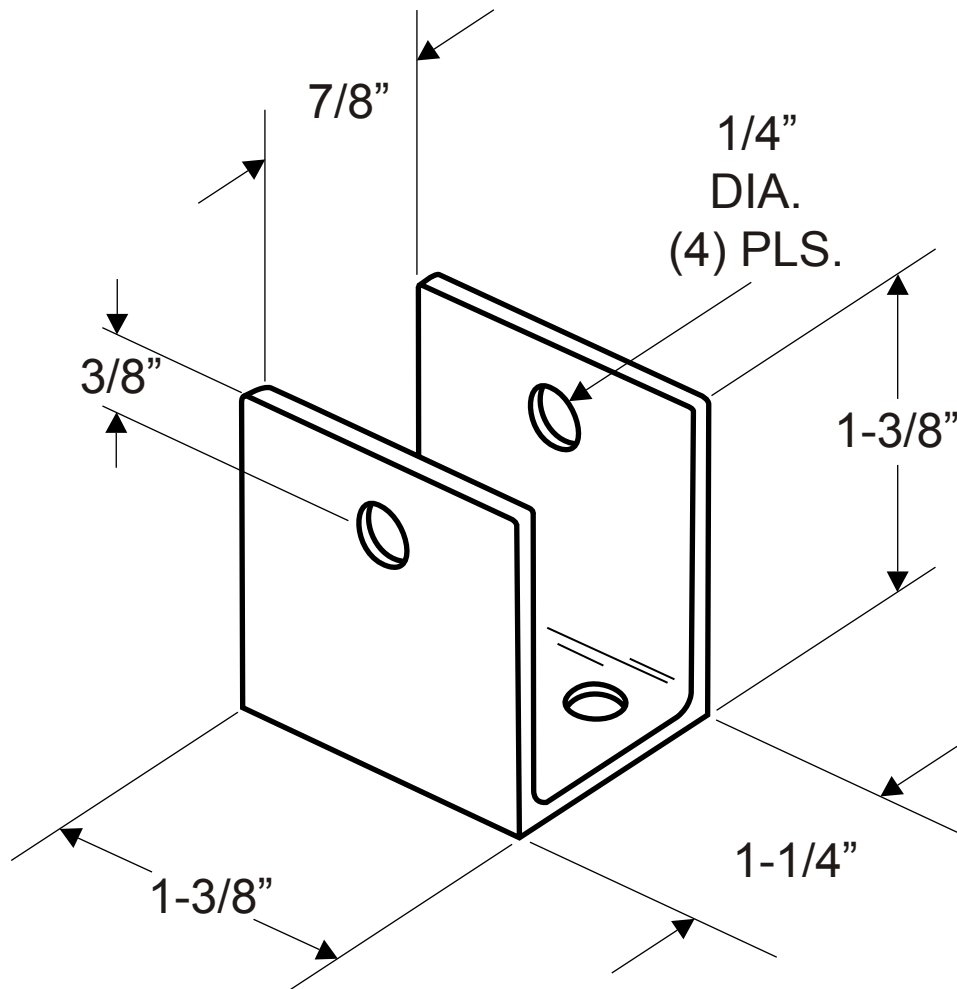


**1901, 1902
(U-BRACKET 7/8")**



**NOTE: ALL WALL THICKNESS AT $1/8"$
FOUR HOLES IN BASE**