

Wall Brackets CASTINGS

ALL BRACKETS AT 1 1/2" LENGTHS



Two Ear (1630)

One Ear (1650)

Two Ear-Urinal (1600)



Two Piece-Mini (1580)

One Ear-Mini (1850)

Two Ear-Mini (1810)

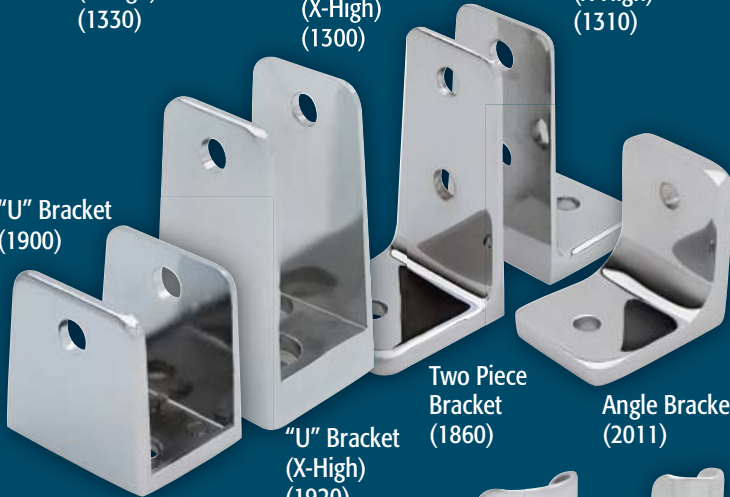


Two Ear Urinal (X-High) (1330)

Two Ear (X-High) (1300)

One Ear (X-High) (1310)

"U" Bracket (1900)



Two Piece Bracket (1860)

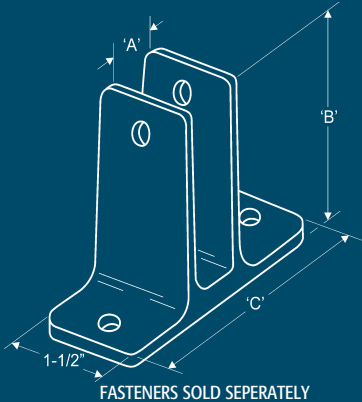
Angle Bracket (2011)

"U" Bracket (X-High) (1920)



(2500)

(2700)



| "A" PANEL SIZE | "B" BRACKET HEIGHT | "C" BASE WIDTH | DESCRIPTION | CHROME PLATED ZAMAC | CHROME PLATED BRASS | POLISHED BRASS | CAST STAINLESS STEEL |
|------------------------------------|--------------------|----------------|-------------------|---------------------|---------------------|----------------|----------------------|
| TWO EAR BRACKETS | | | | | | | |
| 1/2" | 2-1/2" | 2-27/32" | | 1560 | | | 1563 |
| 3/4" | 2-1/2" | 3" | | 1620 | | | 1623 |
| 7/8" | 2-1/2" | 3-1/2" | | 1630 | 1631 | 1632 | 1633 |
| 1" | 2-1/2" | 4" | | 1750 | 1751 | 1752 | 1753 |
| 1-1/4" | 2-1/2" | 4" | | 1830 | 1831 | 1832 | 1833 |
| ONE EAR BRACKETS | | | | | | | |
| 1/2" | 2-1/2" | 1-3/4" | | 1570 | | | 1573 |
| 3/4" | 2-1/2" | 2" | | 1640 | | 1642 | 1643 |
| 7/8" | 2-1/2" | 2-1/16" | | 1650 | 1651 | 1652 | 1653 |
| 1" | 2-1/2" | 2-21/32" | | 1760 | 1761 | 1762 | 1763 |
| 1-1/8" | 2-1/2" | 2-3/4" | WITH SPACERS | 18204 | | | |
| 1-1/4" | 2-1/2" | 2-3/4" | | 1840 | 1841 | 1842 | 1843 |
| MINI BRACKETS | | | | | | | |
| ALL | 1-3/4" | 1-3/8" | Two Piece | 1580 | | | |
| 1-1/4" | 1-3/4" | 4" | Two Ear | 1810 | | | 1813 |
| 1-1/4" | 1-3/4" | 2-3/4" | One Ear | 1850 | 1851 | 1852 | 1853 |
| TWO EAR X-HIGH BRACKETS | | | | | | | |
| 1" | 3-1/2" | 4" | | 1260 | | | |
| 1-1/4" | 3-1/2" | 4" | | 1300 | | | |
| ONE EAR X-HIGH BRACKETS | | | | | | | |
| 1" | 3-1/2" | 2-21/32" | | 1270 | | | |
| 1-1/4" | 3-1/2" | 2-3/4" | | 1310 | | | |
| URINAL SCREEN BRACKETS | | | | | | | |
| 1/2" | 2-1/2" | 1-3/4" | One Ear | 1470 | | | |
| 1/2" | 2-1/2" | 2-27/32" | Two Ear | 1480 | | | 1483 |
| 3/4" | 2-1/2" | 3" | Two Ear | 1590 | | | 1593 |
| 7/8" | 2-1/2" | 3-1/2" | Two Ear | 1600 | 1601 | 1602 | 1603 |
| 1" | 2-1/2" | 4" | Two Ear | 1610 | 1611 | 1612 | 1613 |
| 1" | 3-1/2" | 2-21/32" | One Ear X-Long | 1660 | | | |
| 1" | 3-1/2" | 4" | Two Ear X-Long | 1280 | 1281 | 1282 | 1283 |
| 1-1/4" | 3-1/2" | 4" | Two Ear X-Long | 1330 | | | |
| WING BRACKETS | | | | | | | |
| 1" | 12" | 7" | | 2700 | | | |
| 1-1/4" | 6" | 6-1/4" | | 2500 | | | |
| "U" BRACKETS | | | | | | | |
| 1/2" | 1-3/8" | 3/4" | | 1870 | | | 1873 |
| 3/4" | 1-3/8" | 1" | | 1890 | | | 1893 |
| 7/8" | 1-3/8" | 1-5/32" | | 1900 | 1901 | 1902 | 1903 |
| 1" | 1-3/8" | 1-1/4" | | 1910 | 1911 | 1912 | 1913 |
| 1-1/4" | 1-3/8" | 1-1/2" | | 1940 | | | |
| "U" BRACKETS X-HIGH | | | | | | | |
| 1" | 2-1/2" | 1-1/4" | | 1920 | | | |
| 1-1/4" | 2-1/2" | 1-9/16" | | 1950 | | | |
| TWO PIECE "L" BRACKETS | | | | | | | |
| ALL | 1-3/4" | 1-3/8" | Mini (1) Hole | 1580 | | | |
| ALL | 2-1/2" | 1-1/2" | Standard (2) Hole | 1860 | 1861 | 1862 | 1863 |
| ALL | 3-1/2" | 1-1/2" | X-High (2) Hole | 1320 | 1321 | 1322 | 1323 |
| ANGLE "L" BRACKETS (SINGLE) | | | | | | | |
| ALL | 1-3/4" | 1-3/4" | Mini | | 2011 | 2012 | 2013 |