

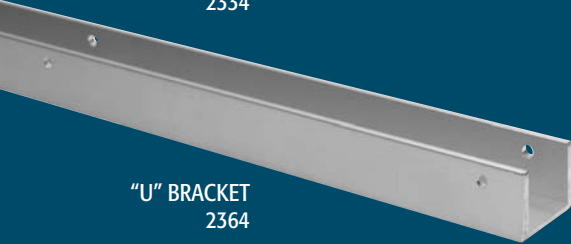
# Wall Brackets ALUMINUM EXTRUSIONS



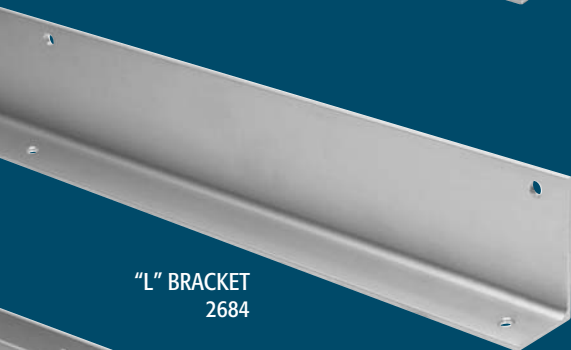
TWO EAR  
2344



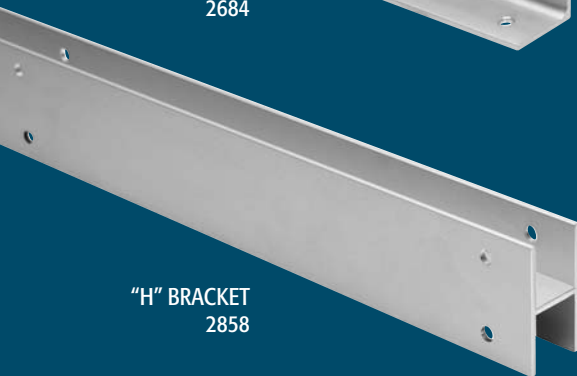
ONE EAR  
2334



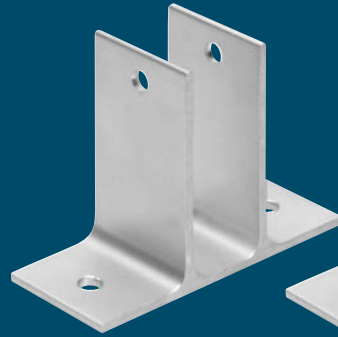
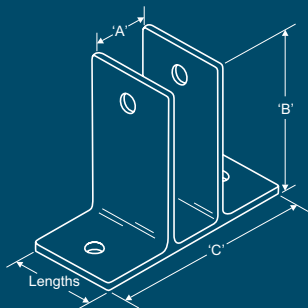
"U" BRACKET  
2364



"L" BRACKET  
2684



"H" BRACKET  
2858



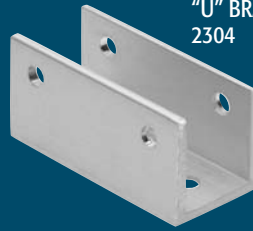
TWO EAR  
1754



ONE EAR  
1764



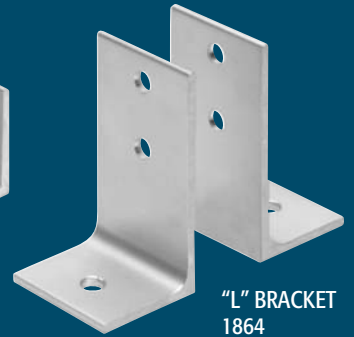
TWO EAR - URINAL  
1614



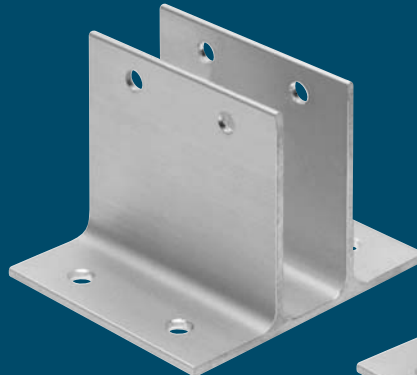
"U" BRACKET - (X-LONG)  
2304



"U" BRACKET  
1914



"L" BRACKET  
1864



TWO EAR - (X-LONG)  
2264



ONE EAR - (X-LONG)  
2274



"H" BRACKET  
1734

ALL PARTS "T-6063-T5" EXTRUDED ALUMINUM WITH "CLEAR ANODIZED" FINISH

"A" PANEL SIZE	"B" HEIGHT	"C" BASE WIDTHS	LENGTHS					
			1-1/2"	3"	41"	54"	57"	57-1/2"
<b>TWO EAR BRACKETS</b>								
1/2"	2-3/4"	2-27/32"	1564	2204	2054		4174	2674
3/4"	2-3/4"	3-13/32"			4604			2084
1"	2-3/4"	3-3/4"	1754	2264	2888	2868		2344
<b>ONE EAR BRACKETS</b>								
1/2"	2-3/4"	1-31/32"					2094	4394
3/4"	2-3/4"	2-7/32"	1644	109284			2074	4364
1"	2-3/4"	2-5/8"	1764	2274		2878		2334
1-1/4"	2-3/4"	2-5/8"	1844	2294				2354
1-1/4"	1-3/4"	2-5/8"						4354 (mini)
<b>URINAL SCREEN BRACKET</b>								
1"	2-3/4"	3-3/4"	1614					
<b>"U" BRACKETS</b>								
1/2"	1-3/8"	3/4"	1874	2984	2034		4184	2664
3/4"	1-3/8"	1"				4584 (53")		2064
1"	1-3/8"	1-5/16"	1914	2304	101304	2794		2364
1"	2-3/4"	1-1/4"		2324 (x-high)				
<b>"L" BRACKET</b>								
ALL	2-3/4"	1-3/8"	1864 (2pc)					2684
<b>"H" BRACKET</b>								
1"	2-1/2"	1-1/4"	1724	1734		2858		