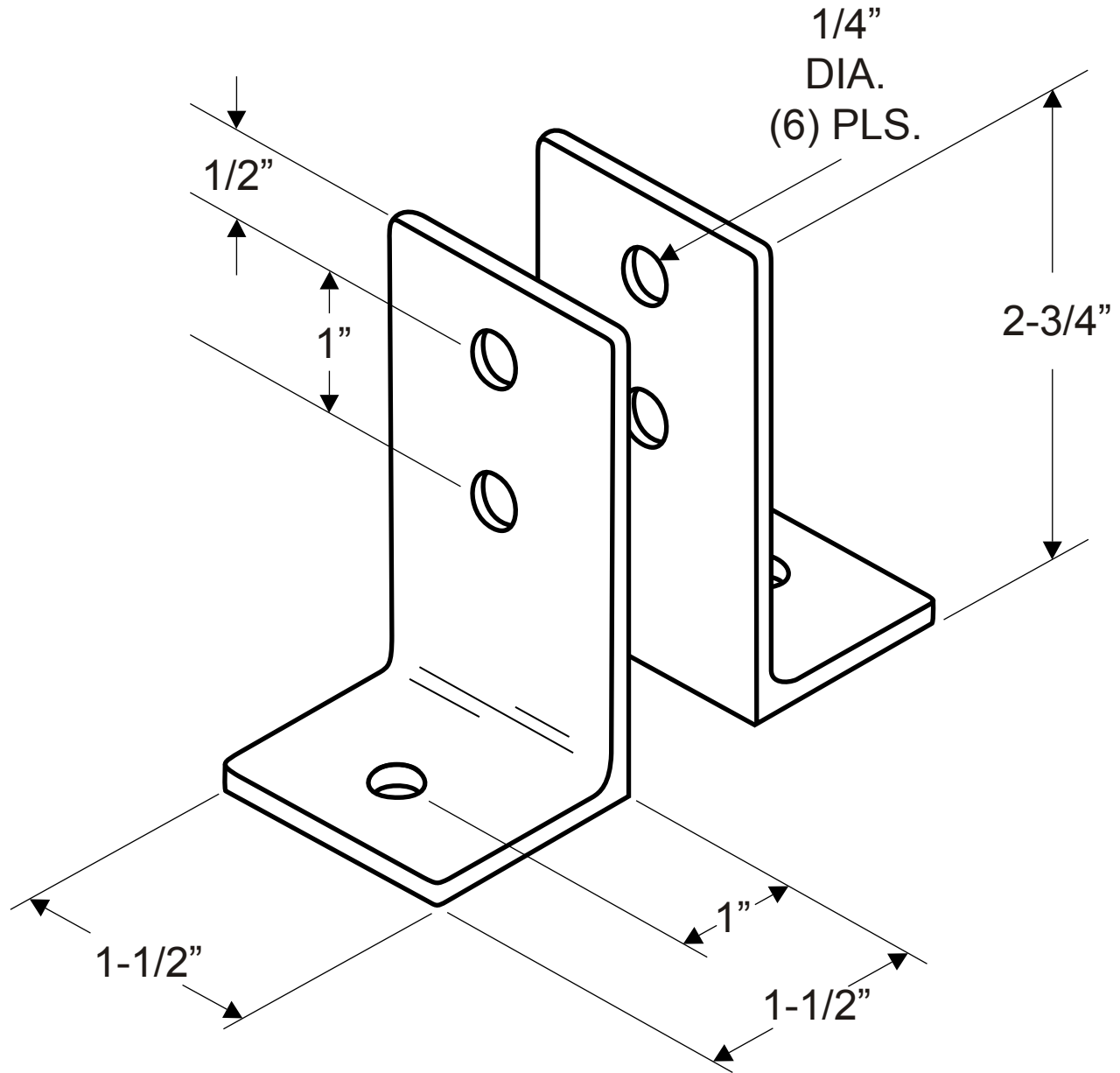


**1861, 1862
(TWO PIECE BRACKET - STANDARD TWO HOLE)**



NOTE: ALL WALL THICKNESS AT 1/8"