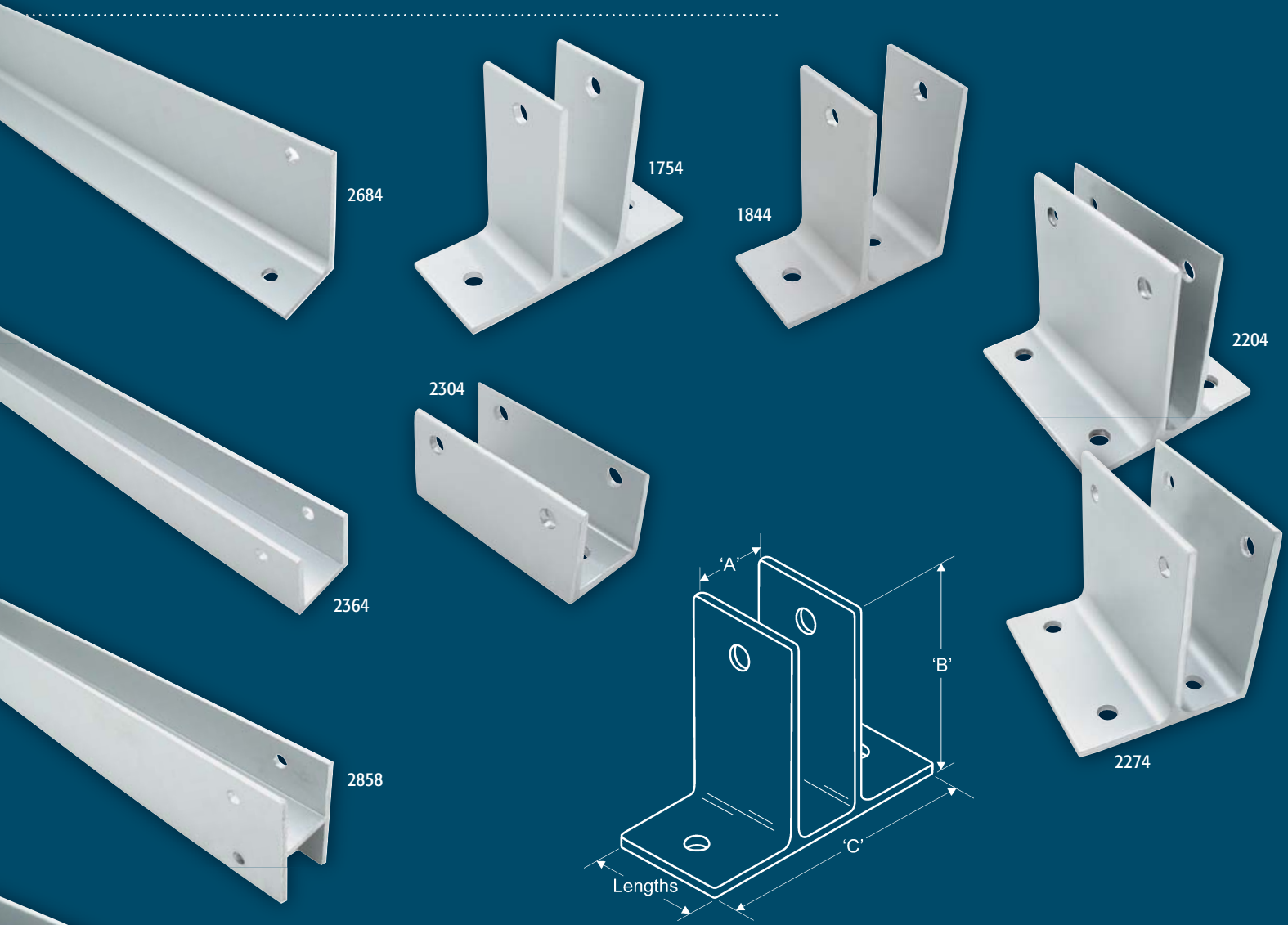


Wall Brackets ALUMINUM EXTRUSIONS



ALL SURFACE WITH "CLEAR ANODIZED" FINISH



"A" PANEL SIZE	"B" BRACKET HEIGHT	"C" BASE WIDTHS	DESCRIPTION	* LENGTHS					
				1-1/2"	3"	41"	54"	57"	57-1/2"
TWO EAR BRACKETS									
1/2"	2-3/4"	2-7/8"		1564	2204	2054		4174	2674
3/4"	2-3/4"	3-7/16"				4604			2084
1"	2-3/4"	3-3/4"		1754	2264	2888	2868		2344
ONE EAR BRACKETS									
1/2"	2-3/4"	1-15/16"						2094	4394
3/4"	2-3/4"	2-7/32"		1644				2074	4364
1"	2-3/4"	2-5/8"		1764	2274		2878		2334
1-1/4"	2-3/4"	2-5/8"		1844	2294				2354
1-1/4"	1-3/4"	2-5/8"	(Mini)						4354
URINAL SCREEN BRACKETS									
1"	2-3/4"	3-7/16"		1614					
"U" BRACKETS									
1/2"	1-3/8"	3/4"		1874	2984	2034		4184	2664
3/4"	1-3/8"	1"					4584 (53')		2064
1"	1-3/8"	1-1/4"		1914	2304	101304	2794		2364
"U" BRACKETS X-HIGH									
1"	2-3/4"	1-1/4"			2324				
ANGLE "L" BRACKETS									
ALL	2-3/4"	1-3/8"		1864 (2pc)					2684
"H" BRACKET									
1"	2-1/2"	1-1/4"		1724	1734		2858		