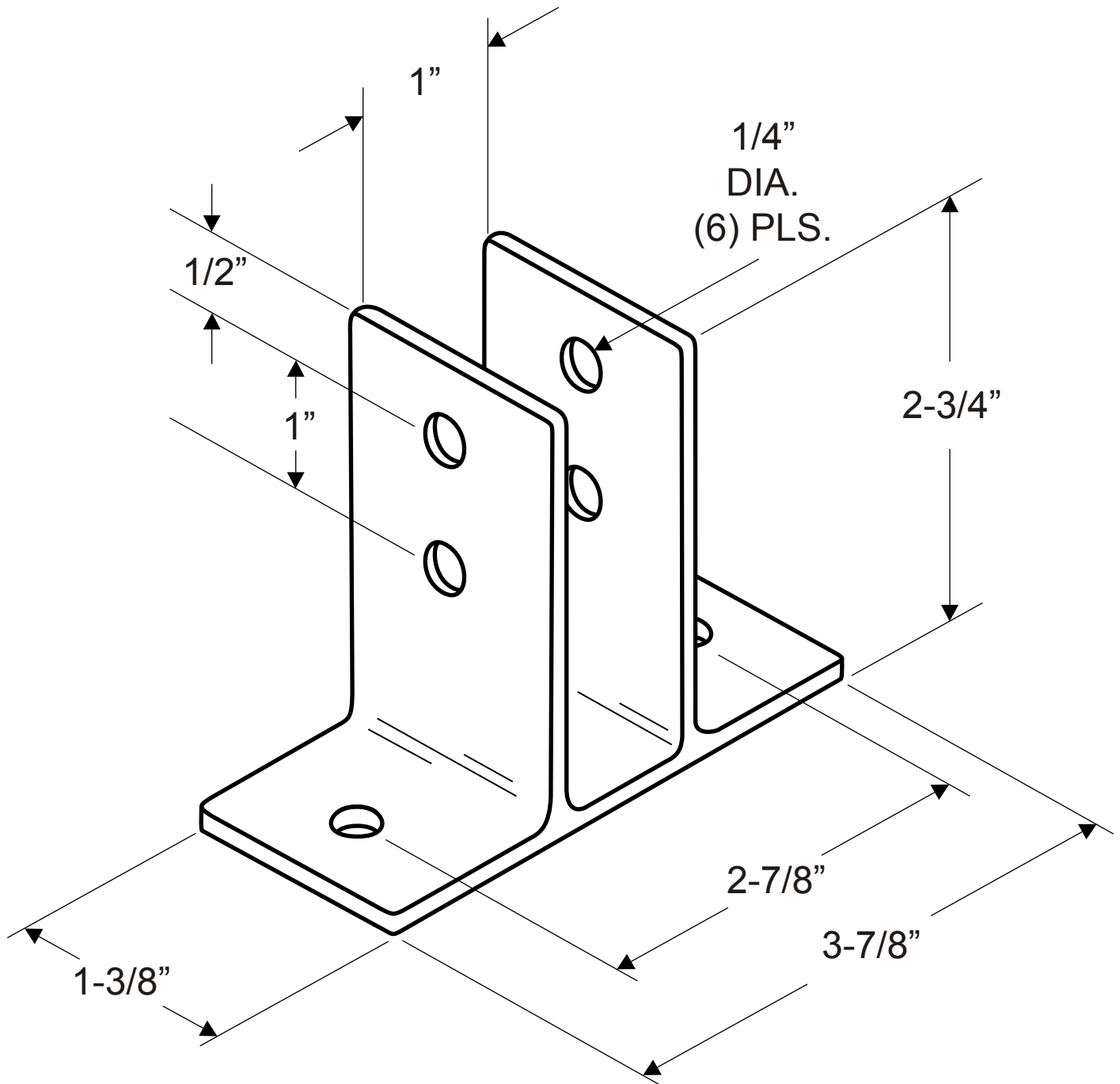


**1611, 1612
(URINAL SCREEN BRACKET - TWO EAR 1")**



NOTE: ALL WALL THICKNESS AT 1/8"