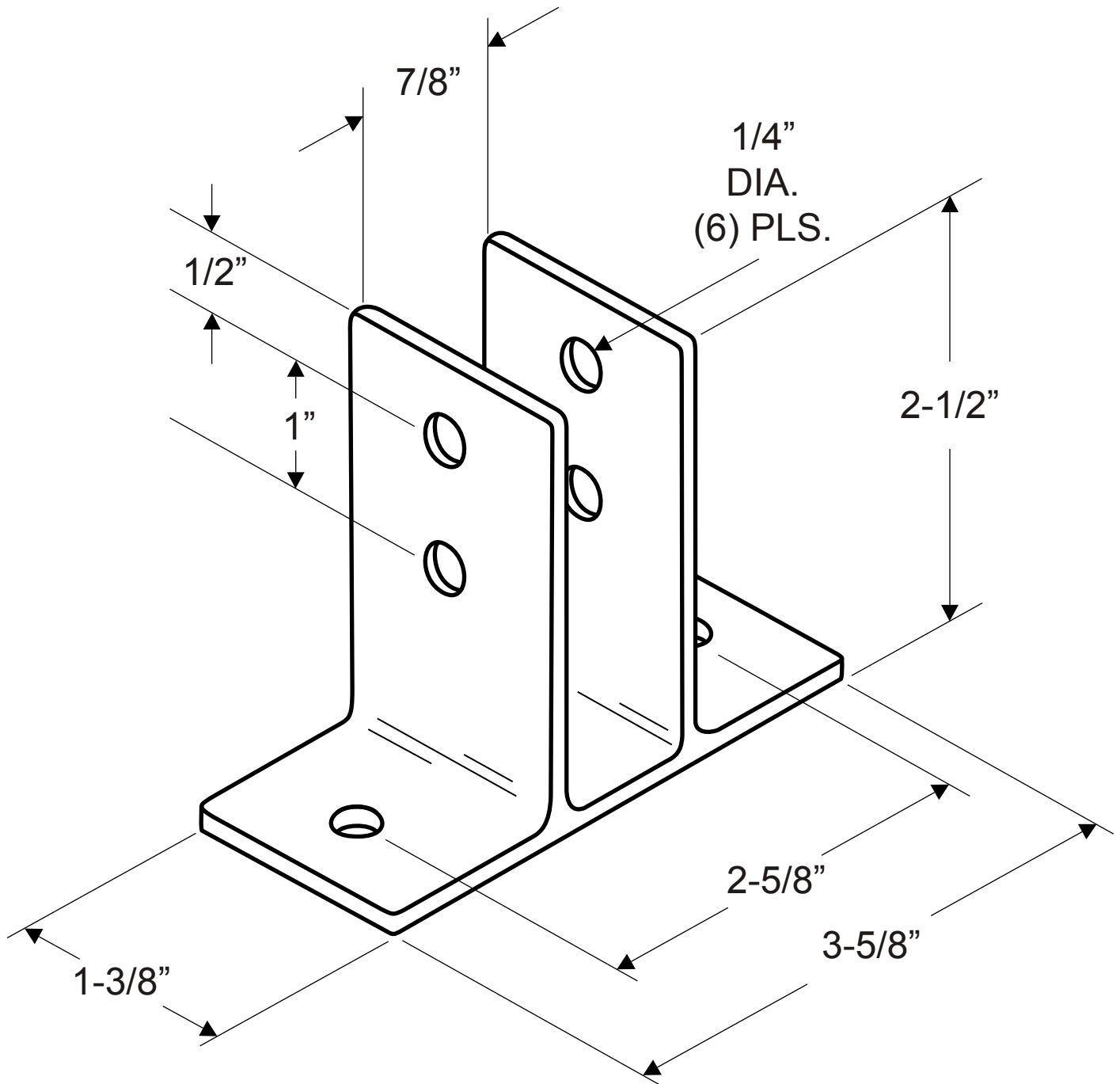


**1601, 1602  
(URINAL SCREEN BRACKET - TWO EAR 7/8")**



**NOTE: ALL WALL THICKNESS AT  $1/8"$**