

**TYPE** \_\_\_\_\_

**FEATURES**

The G4-I-1 presents a unique ultra shallow winged profile and is one variation of a complete family of suspended linear fluorescent luminaires. The G4-I-1 is an indirect version of the family of luminaires and provides exceptional performance. Constructed of perforated steel and aluminum extrusions, it features a "reveal" between modules in continuous rows. The computer designed optical system creates widespread indirect distribution.

**SPECIFICATIONS**

**Housing:** One piece die formed 20 gauge cold rolled steel welded construction forming a 1 3/4" x 8 7/8" wave profile. The housing ends are die formed extruded aluminum. The decorative intermediate end caps are provided for mounting and joining individual fixtures in rows. Finished ends are laser cut aluminum, with no exposed hardware or knockouts.

**Reflector:** Die formed 20-gauge cold rolled steel minimum 90% reflectivity in high gloss white enamel with die formed .025 specular anodized aluminum center reflector.

**Electrical:** Ballast is electronic, high power factor, thermally protected class P, sound rated A, with less than 10% total harmonic distortion. The minimum number of ballasts will be used unless otherwise specified.

**Mounting:** Standard Installation is an adjustable self-locking aircraft cable assembly 48" x 3/32" in diameter with 5" canopy. One 16/4 SJT straight 54" cord is supplied with each power feed. Standard pendants are available in 24" lengths. See Accessories for additional mounting.

**Finish:** Fixture housing and steel components are finished in baked white enamel applied over a five stage pretreatment process.

**Lamps:** Fixtures are provided for use with two 28 watt T5 or two 54 watt T5 HO lamps. ( Supplied by Others)

**Certification:** Luminaires are U. L. listed, C. S. A. certified and are Union Made in the United States of America I.B.E.W.

**ORDERING GUIDE**

MODEL NO.	DIRECTION	SHIELDING	LAMPS	MOUNTING	LENGTH	FINISH	VOLTAGE	OPTIONS
<b>G4</b>	- <b>I</b>	- <b>1</b>	- <input type="checkbox"/>	- <input type="checkbox"/>	- <input type="checkbox"/>	- <input type="checkbox"/>	- <input type="checkbox"/>	- <input type="checkbox"/>
<b>G4</b>	<b>I</b> =Indirect	<b>1</b> =Solid	<b>228T5</b> <b>254T5 HO</b>	<b>AC</b> = Cable <b>PD</b> = Pendant	<b>4</b> = 4 ft <b>8</b> = 8 ft	<b>W</b> = White <b>CC</b> = Custom Color	<b>120v</b> <b>277v</b>	<b>See Options Below</b>

**O**=Other Specify      See Accessories for other, please enter row length (eg. 48=48ft)

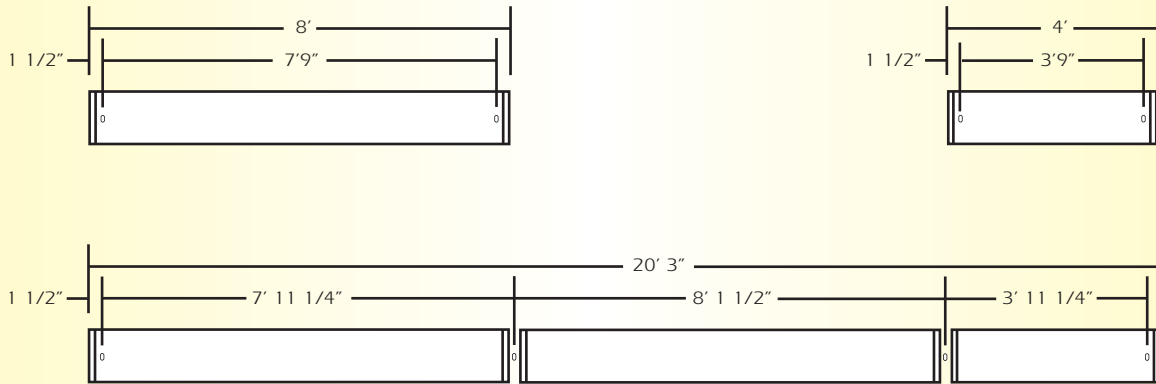
Example: **G4-I-1-254T5HO-AC-4-W-277V**

Generation Four profile for two 54 watt T5 HO lamps with two 48 inch aircraft cables and power feed four foot fixture finished in baked white enamel with 277v electronic ballast less than 10% total harmonic distortion.

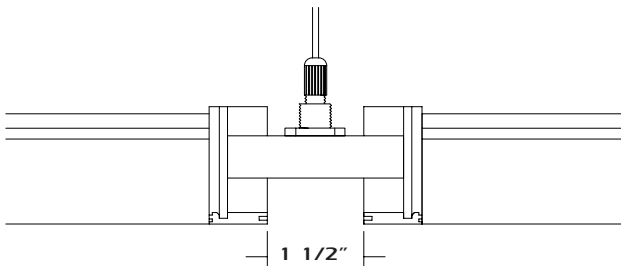
**OPTIONS**

- DIM=** Dimming Ballast
- EPC=** Emergency Battery Pack
- EMC=** Emergency Circuit
- TCW=** Two Circuit Wiring
- TDW=** Tandem Wiring
- QCW=** Quick Connect Wiring
- OTH=** See Accessories for other options available

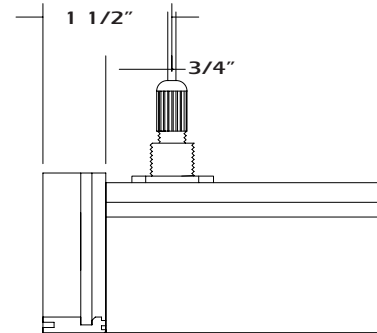
## LINEAR SECTIONS AND SUSPENSION LOCATION



## INSTALLATION PREPARATION

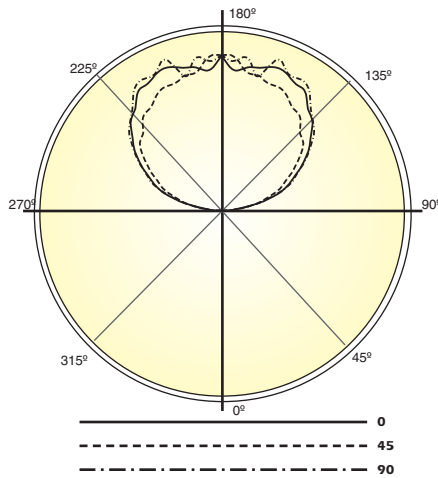


TYPICAL JOINT DETAIL



TYPICAL END DETAIL

## PHOTOMETRY



### Candela Distribution:

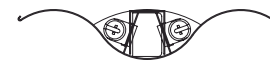
Vert. Angle	0	22.5	45	67.5	90
90	42	18	8	2	1
95	236	225	186	149	135
100	408	454	449	419	425
105	546	625	692	729	687
110	705	832	880	939	955
115	807	967	1106	1102	1124
120	976	1150	1265	1291	1301
125	1164	1323	1386	1461	1484
130	1369	1462	1552	1599	1655
135	1419	1521	1711	1759	1767
140	1501	1681	1822	1842	1900
145	1681	1710	1895	1995	2071
150	1859	1798	1929	2012	2094
155	1778	1865	1948	2085	2098
160	1896	1856	2000	2095	2199
165	1943	1919	2036	2026	1900
170	1899	1931	1953	1992	2116
175	2030	2107	2045	1929	2060
180	2127	2127	2127	2127	2127

Optical Distribution:  
100% Indirect

### Coefficients of Utilization - Zonal Cavity Method:

pfc = 0.20

	.8	.7	.5	.3	.1	0												
pcc	.8	.7	.5	.3	.1	0												
pw	.7	.5	.3	.1	.5	.3	.1	0										
RCR																		
0	69	69	69	69	59	59	59	59	40	40	40	23	23	23	7	7	7	0
1	63	60	57	55	54	51	49	47	35	34	33	20	20	19	6	6	6	0
2	57	52	48	45	49	45	42	39	31	29	27	18	17	16	5	5	5	0
3	52	46	41	37	44	39	35	32	27	25	23	16	14	13	4	4	4	0
4	48	40	35	31	40	35	30	27	24	21	19	14	12	11	4	4	4	0
5	44	36	30	26	37	31	26	23	21	18	16	12	11	10	3	3	3	0
6	40	32	26	23	34	27	23	20	19	16	14	11	9	8	3	3	3	0
7	37	28	23	19	31	24	20	17	17	14	12	10	8	7	2	2	2	0
8	34	26	20	17	29	22	18	15	15	12	10	9	7	6	2	2	2	0
9	31	23	18	15	27	20	16	13	14	11	9	8	7	5	2	2	2	0
10	29	21	16	13	25	18	14	11	13	10	8	7	6	5	1	1	1	0



Total Luminaire Optical Efficiency = 72.7%