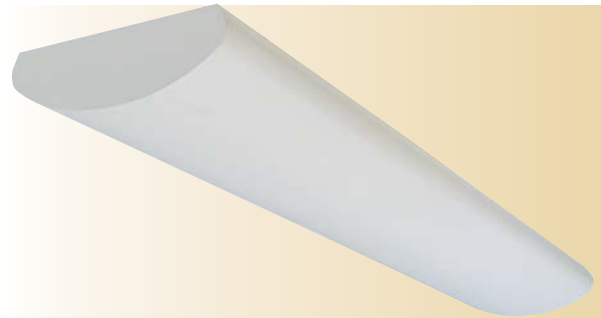
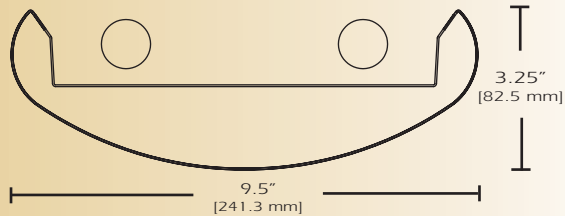


Generation Series 1

G1-I-1



TYPE _____

FEATURES

The G1-I-1 is one variation of a complete family of suspended linear fluorescent luminaires. The G1-I-1 is an indirect version of the family of luminaires. The computer designed optical system creates a widespread soft indirect distribution. The low profile and modern design provide excellent efficiency and styling where high performance and uniform lighting are required.

SPECIFICATIONS

Housing: One piece die formed 20-gauge cold rolled steel welded construction forming a 9.50" x 3.25" rounded profile. Finished end caps are laser cut 16-gauge cold rolled steel, with no exposed hardware or knockouts. Aligner brackets are provided to eliminate light leaks and for precision alignment of continuous rows.

Reflector: Die formed 20-gauge cold rolled steel minimum 90% reflectivity finished in high gloss baked white enamel with die formed .025 specular anodized aluminum side reflectors.

Electrical: Ballast is electronic, high power factor, thermally protected class P, sound rated A, with less than 20% total harmonic distortion. The minimum number of ballasts will be used unless otherwise specified.

Mounting: Standard Installation is an adjustable self-locking aircraft cable assembly 48" x 3/32" in diameter with 5" canopy. One 1/4 SJT straight 54" cord is supplied with each power feed. Standard pendants are available in 24" lengths. See Accessories for additional mounting.

Finish: Fixture housing and steel components are finished in baked white enamel applied over a five-stage pretreatment process.

Lamps: Fixtures are provided for use with one, two or three 32 watt T8 lamps or 54 watt T5 HO lamps. (Supplied by Others)

Certification: Luminaires are U. L. Listed, C. S. A. certified and are Union Made in the United States of America I.B.E.W.

ORDERING GUIDE

MODEL NO.	DIRECTION	SHIELDING	LAMPS	MOUNTING	LENGTH	FINISH	VOLTAGE	OPTIONS
G1	- I	- 1	- <input type="checkbox"/>	- <input type="checkbox"/>	- <input type="checkbox"/>	- <input type="checkbox"/>	- <input type="checkbox"/>	- <input type="checkbox"/>
G1	I = Indirect	1 =Solid	132T8 232T8 332T8 154T5 HO 254T5 HO 354T5 HO O =Other Specify	AC = Cable PD = Pendant See Accessories	4 = 4 ft 8 = 8 ft 12 = 12 ft for other, please enter row length (eg. 48=48ft)	W = White CC = Custom Color	120v 277v	See Options Below

Example: **G1-I-1-232T8-AC-4-W-277V**

Generation One rounded profile for two 32 watt T8 lamps with two 48 inch aircraft cables and power feed four foot fixture finished in baked white enamel with 277v electronic ballast less than 20% total harmonic distortion.

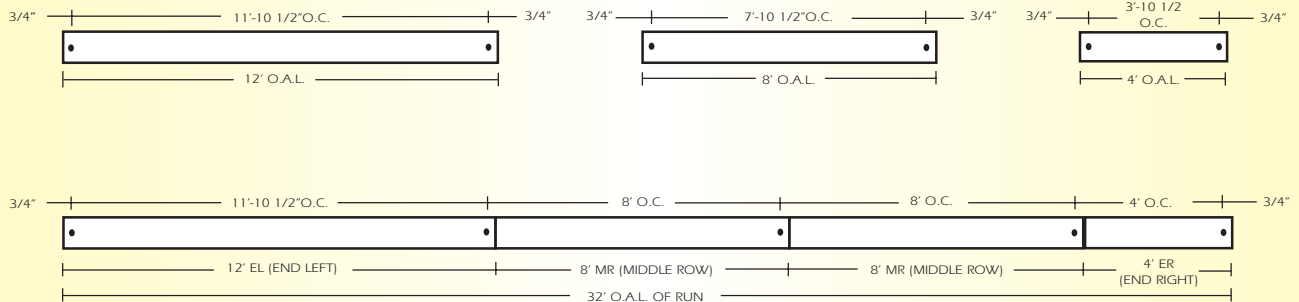
OPTIONS

- E10=** Electronic ballast, high power factor, thermally protected class P, sound rated A, < 10% total harmonic distortion
- DIM=** Dimming Ballast
- EPC=** Emergency Battery Pack
- EMC=** Emergency Circuit
- TCW=** Two Circuit Wiring
- TDW=** Tandem Wiring
- QCW=** Quick Connect Wiring
- OTH=** See Accessories for other options available

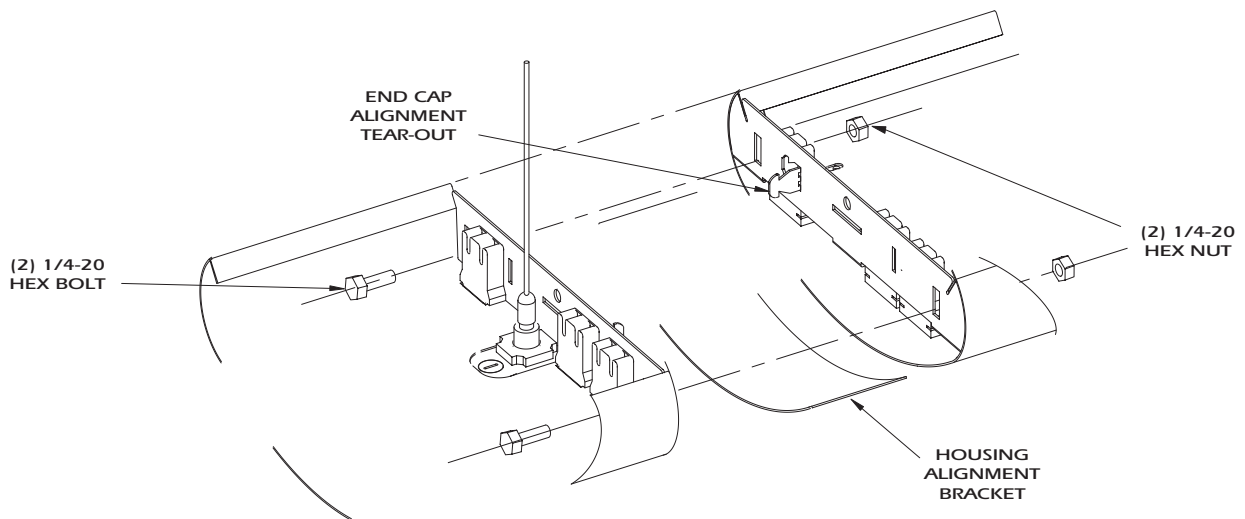
Generation Series 1

G1-I-1

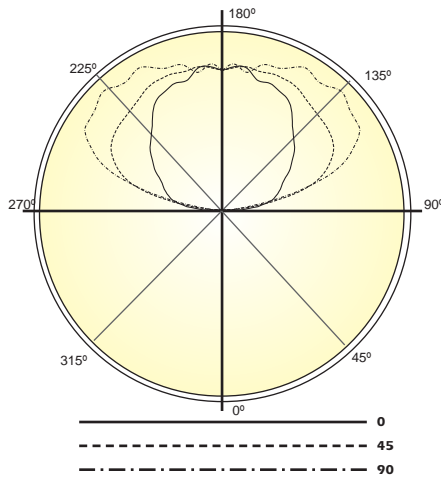
LINEAR SECTIONS AND SUSPENSION LOCATION



INSTALLATION PREPARATION



PHOTOMETRY



LAMP (2) 32W T8
LUMENS: 2900 PER LAMP

Candela Distribution:

Vert. Angle	0	22.5	45	67.5	90
90	145	73	33	10	3
95	216	239	164	131	118
100	276	440	437	368	339
105	321	554	713	700	679
115	442	657	944	1082	1130
120	528	704	1008	1180	1237
125	605	747	1034	1198	1249
130	682	783	1034	1241	1254
135	727	841	1037	1224	1324
140	808	895	1053	1186	1274
145	903	960	1069	1204	1254
150	972	1027	1110	1205	1263
155	975	1051	1110	1186	1204
160	1028	1059	1109	1177	1133
165	1034	1071	1076	1140	1154
170	1126	1082	1095	1113	1090
175	1092	1084	1105	1122	1122
180	1070	1070	1070	1070	1070

Optical Distribution:
100% Indirect

Coefficients of Utilization - Zonal Cavity Method:

pfc = 0.20

	.8	.7	.5	.3	.1	0												
pcc	.8	.7	.5	.3	.1	0												
pw	.7	.5	.3	.1	.5	.3	.1	.5	.3	.1	.5	.3	.1	0				
RCR																		
0	82	82	82	82	70	70	70	70	48	48	48	27	27	27	9	9	9	0
1	74	71	68	65	63	61	58	56	41	40	38	24	23	22	7	7	7	0
2	67	62	57	53	57	53	49	45	36	34	32	21	19	18	6	6	6	0
3	61	54	48	44	52	46	41	38	32	29	26	18	17	15	6	5	5	0
4	56	47	41	36	48	41	36	32	28	25	22	16	14	13	5	4	4	0
5	51	42	36	31	43	36	31	27	25	21	19	14	12	11	4	4	3	0
6	47	37	31	26	40	32	27	23	22	19	16	13	11	9	4	3	3	0
7	43	33	27	23	37	29	23	20	20	16	14	11	9	8	3	3	2	0
8	40	30	24	20	34	26	21	17	18	14	12	10	8	7	3	2	2	0
9	37	27	21	17	31	23	18	15	16	13	10	9	7	6	3	2	2	0
10	34	24	19	15	29	21	16	13	14	11	9	8	6	5	2	2	1	0



Total Luminaire Optical
Efficiency = 86.4%