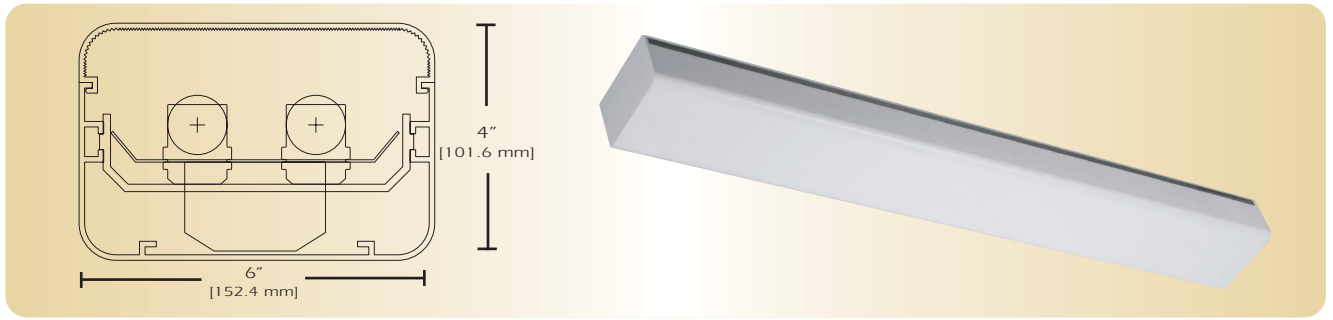


# Squares

AD-SS6-I



TYPE \_\_\_\_\_

FEATURES

The AD-SS6 soft square series is an extruded aluminum luminaire available with a clear ribbed acrylic lens. The luminaires can be mounted individually, in rows or in any of combination of patterns. The luminaires in this series provide low glare and widespread illumination. The simplicity of the AD-SS6 series is the solution for open spaces while providing maximum design versatility to meet the perceived source of illumination for a specific environment.

SPECIFICATIONS

- Housing:** One piece heavy gauge extruded aluminum 6063T5 alloy welded construction forming a 4" x 6" soft square profile. Finished end caps are welded with no exposed hardware or knockouts.
- Reflector:** Die formed 20-gauge cold rolled steel minimum 90% reflectivity finished in high gloss baked white enamel.
- Shielding:** Standard lens is extruded acrylic with linear ribs (ARL) for efficient light distribution.
- Electrical:** Ballast is electronic, high power factor, thermally protected class P, sound rated A, with less than 20% total harmonic distortion. The minimum number of ballasts will be used unless otherwise specified.
- Mounting:** Standard installation is an adjustable self-locking aircraft assembly 48" x 3/32" in diameter with 5" canopy. One 16/4 SJT straight 54" cord is supplied with each power feed. Standard pendants are available in 24" lengths. See Accessories for additional mounting.
- Finish:** Fixture housing and steel components are finished in baked white enamel applied over a five-stage pretreatment process.
- Lamps:** Fixtures are provided for use with one or two 32 watt T8 lamps or 54 watt T5 HO lamps. (Supplied by Others)
- Certification:** Luminaires are U. L. Listed, C. S. A. certified and are Union Made in the United States of America I.B.E.W.

ORDERING GUIDE

MODEL NO.	DIRECTION	SHIELDING	LAMPS	MOUNTING	LENGTH	FINISH	VOLTAGE	OPTIONS
<b>AD-SS6</b>	<b>I</b>	<b>ARL</b>	<b>132 T8</b> <b>232 T8</b> <b>154T5 HO</b> <b>254T5 HO</b>	<b>AC</b> <b>PD</b> <b>WM</b>	<b>4</b> <b>8</b>	<b>W</b> <b>CC</b>	<b>120v</b> <b>277v</b>	<b>See Options Below</b>
<b>AD-SS6</b>	<b>I=</b> Indirect	<b>ARL=</b> Acrylic Ribbed Lens	<b>O=</b> Other Specify	See Accessories	for other, please enter row length (eg. 48=48ft)	<b>W=</b> White <b>CC=</b> Custom Color		

Example: **AD-SS6-I-ARL-232T8-AC-4-W-120V**  
 AD-SS6 indirect with acrylic ribbed linear lens for two 32 watt T8 lamps including two 48 inch aircraft cables and power feed four foot fixture finished in baked white enamel 120v electronic ballast less than 20% total harmonic distortion.

OPTIONS

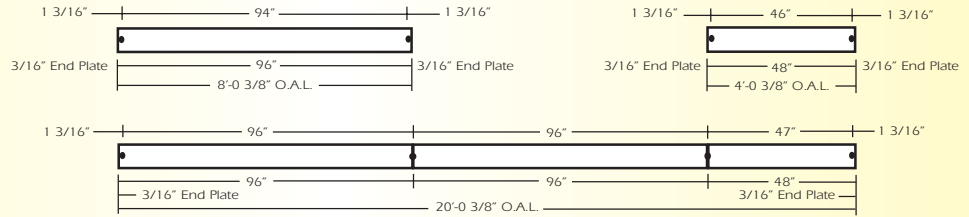
- E10=** Electronic ballast, high power factor, thermally protected class P, sound rated A, < 10% total harmonic distortion
- DIM=** Dimming Ballast
- EPC=** Emergency Battery Pack
- EMC=** Emergency Circuit
- TCW=** Two Circuit Wiring
- TDW=** Tandem Wiring
- OTH=** See Accessories for other options available

# Squares

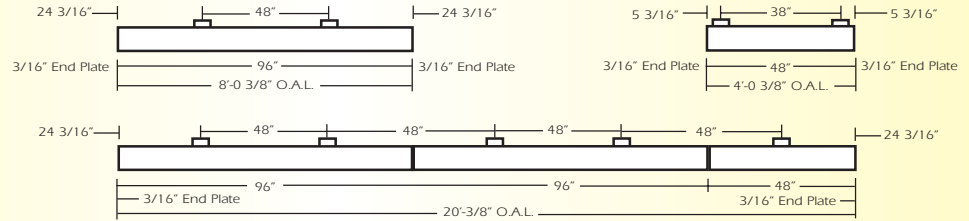
AD-SS6-1

LINEAR SECTIONS AND SUSPENSION LOCATION

## SUSPENSION MOUNTING

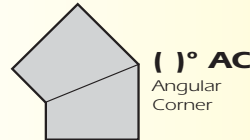
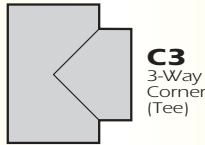
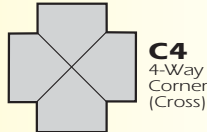
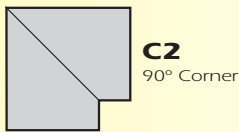


## WALL MOUNTING



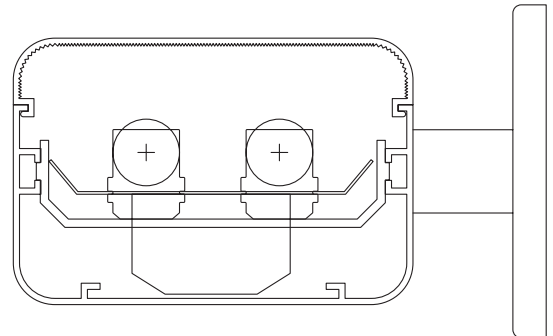
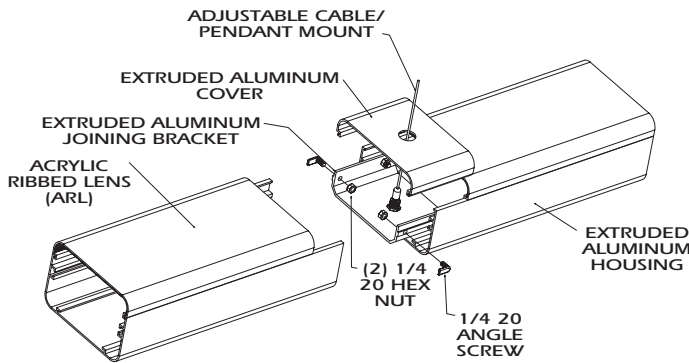
## CORNERS

Corners and fixture extensions are custom fabricated to precise dimensions. Please indicate the specific requirements on the layout



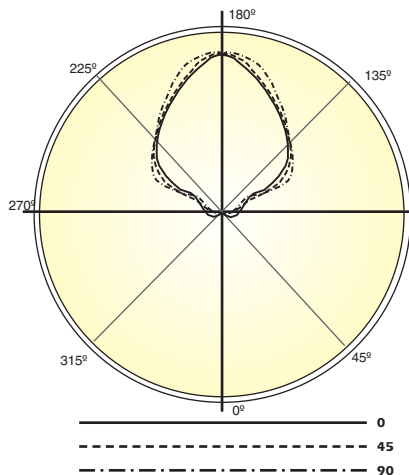
For any angular corner, ()° must be specified and dimensions must be included on the layout  
For any pattern, a layout must accompany the order.

INSTALLATION PREPARATION



**WALL BRACKET**

PHOTOMETRY



### Candela Distribution:

Vert. Angle	0	22.5	45	67.5	90
90	5	25	94	155	167
95	22	42	116	189	216
100	65	78	161	255	281
105	103	123	201	318	360
110	141	156	245	370	421
115	180	208	287	411	467
120	270	281	360	472	517
125	405	401	471	555	616
130	550	558	596	659	700
135	737	748	766	801	826
140	926	923	953	962	975
145	1101	1090	1112	1110	1158
150	1197	1200	1235	1267	1262
155	1248	1253	1284	1315	1336
160	1291	1303	1312	1328	1330
165	1320	1333	1322	1347	1337
170	1378	1348	1393	1367	1392
175	1518	1420	1467	1409	1384
180	1509	1509	1509	1509	1509

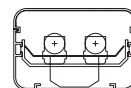
**Optical Distribution:**  
100% Indirect

LAMP (2) 32W T8  
LUMENS: 2900 PER LAMP

### Coefficients of Utilization - Zonal Cavity Method:

pfc = 0.20

pcc	.8	.7	.5	.3	.1	0
pw	.7 .5 .3 .1	.7 .5 .3 .1	.5 .3 .1	.5 .3 .1	.5 .3 .1	0
RCR	0	62 62 62 62	53 53 53 53	37 37 37	23 23 23	10 10 10
1	55 53 54 48	48 45 43 41	32 30 29	19 18 18	7 7 7	2
2	50 46 42 39	43 39 36 33	27 25 24	15 15 14	5 5 5	1
3	46 40 35 32	39 34 31 28	24 22 20	14 13 12	4 4 4	1
4	42 35 30 27	36 30 26 23	21 18 16	13 11 10	3 3 3	0
5	38 31 26 22	32 27 23 20	19 16 14	11 10 8	3 3 3	0
6	35 28 23 19	30 24 20 17	17 14 12	10 8 7	2 2 2	0
7	32 25 20 16	27 21 17 14	15 12 10	9 7 6	2 2 2	0
8	30 22 17 14	25 19 15 12	13 11 9	8 7 5	2 2 2	0
9	27 20 15 12	23 17 13 11	12 10 8	7 6 5	1 1 1	0
10	25 18 14 11	22 16 12 10	11 9 7	7 5 4	1 1 1	0



**Total Luminaire Optical Efficiency = 63.8%**