

# Koroseal Wall Protection Systems

## Korogard® Door Frame Protectors

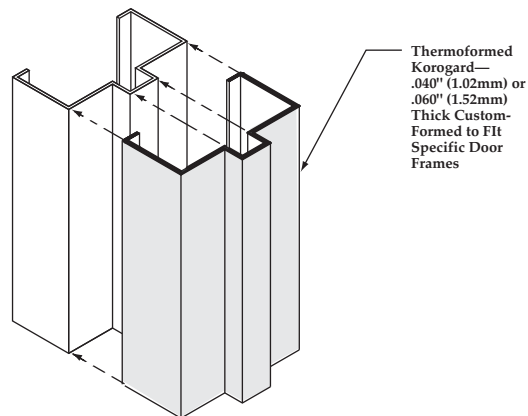
---



**KOROGARD** Door Frame Protectors dramatically cut maintenance costs on expensive door frames. **KOROGARD**'s unique thermoforming capabilities provide form-fitting custom frame protectors that end frame maintenance and replacement. With low minimum quantities on custom orders, **KOROGARD** Door Frame Protectors are available in all standard **KOROGARD** colors and thicknesses.

**KOROGARD** Door Frame Protectors are backed by a limited five-year warranty. All Frame Protectors are Class I/A fire rated and meet national building code standards. All are formed with an acrylic/PVC base with excellent cleanability and impact resistance. All **KOROGARD** protective products color-coordinate with a multitude of **KOROSEAL**® Wallcoverings for a systems approach to wall protection.

For more information on **KOROGARD** Door Frame Protectors or the **KOROSEAL** Wall Protection System, please call your local **KOROGARD** distributor or 800-628-0449.



**F100**

# Product Guide Specification

## SECTION 10 26 00 WALL AND DOOR PROTECTION

### PART 1 GENERAL

#### 1.01 SECTION INCLUDES

Thermoformed Door Frame Protectors.

#### 1.02 SUBMITTALS

- A. Comply with requirements of Section 01 33 00—Submittals.
- B. Product Data: Submit manufacturer's product data.
- C. Samples: Submit 12" (304.8mm) long sample of each type, thickness, size, and color to be installed for Architect's approval.

#### 1.03 DELIVERY, STORAGE, AND HANDLING

- A. Delivery: Deliver materials to site in manufacturer's original, unopened containers and packaging with labels clearly indicating manufacturer and material.
- B. Storage: Store materials indoors in a clean, dry area protected from damage and in accordance with manufacturer's instructions.
- C. Handling: Protect materials during handling and installation to prevent damage.

#### 1.04 ENVIRONMENTAL REQUIREMENTS

- A. Maintain constant minimum air temperature of 65°F (18°C) for a minimum of 48 hours before and during installation.
- B. Maintain wall and door surface temperature between 65°F and 85°F (18°C and 29°C) during installation.
- C. Do not install if relative humidity is greater than 80%.

### PART 2 PRODUCTS

#### 2.01 MANUFACTURER

Koroseal Wall Protection Systems,  
A Division of RJF International Corporation.

#### 2.02 WALL AND DOOR PROTECTION

Koroseal "Korogard" Thermoformed Door Frame Protectors:  
Rigid high-impact acrylic/polyvinyl chloride (PVC) Thermoformed Door Frame Protectors.

1. Fire Rating: [Class I/A] [Class I/B].
2. Thickness: Standard—[0.040" (1.02mm)] [0.060" (1.52mm)]; Custom—[0.080" (2.03mm)]. Uniform thickness with no thinning at edges.

3. Sizes: \_\_\_\_\_. (List door frame sizes)

4. Profile: Single piece.

5. Color: Color to be selected by Architect from manufacturer's standard colors.

#### 2.03 ADHESIVES

Furnish adhesives approved by wall and door protection manufacturer.

### PART 3 EXECUTION

#### 3.01 EXAMINATION

Inspect surfaces to receive wall and door protection. Notify the Architect in writing if wall surfaces are not acceptable. Do not begin installation until unacceptable conditions have been corrected.

#### 3.02 SURFACE PREPARATION

Prepare surfaces in accordance with manufacturer's written instructions.

#### 3.03 INSTALLATION

- A. Install wall and door protection in accordance with manufacturer's written instructions.
- B. Allow wall and door protection and adhesives to precondition for a minimum of 24 hours at a temperature between 65°F and 85°F (18°C and 29°C) before installation.
- C. Install wall and door protection plumb and at height as indicated on the drawings, with surfaces free from distortion.

#### 3.04 CLEANING

- A. Clean wall and door protection in accordance with manufacturer's instructions.
- B. Remove excess adhesive.



**KOROGARD**<sup>®</sup>  
WALL PROTECTION SYSTEMS

800-628-0449 • [www.korogard.com](http://www.korogard.com) • Division 10 26 00