

# PORTFOLIO®

## Avid Series (Small) Pendant Mount

### INSTALLATION INSTRUCTIONS

IMPORTANT : READ CAREFULLY BEFORE INSTALLING FIXTURE. RETAIN FOR FUTURE REFERENCE

IMI-735

09/07/10

page 1 of 2

#### GENERAL

Upon receipt of the fixture, thoroughly inspect for any freight damage which should be brought to the attention of the delivery carrier. Compare the catalog description listed on the packing slip with the fixture label on the housing to assure you have received the correct material.

#### SAFETY

This fixture must be wired in accordance with the National Electrical Code and applicable local codes and ordinances. Proper grounding is required to insure personal safety. Carefully observe grounding procedure under installation section.

#### WARNING

**Risk Of Electrical Shock**  
If not qualified, consult an electrician.  
Disconnect power at fuse or circuit breaker before installing or servicing.

#### APPLICATIONS:

- Fixture is not suitable for operation in ambient exceeding 25° C.
- Must use supply wire rated for 60° C minimum.

#### TOOLS REQUIRED:

- Slotted screwdriver
- Phillips screwdriver

#### IMPORTANT NOTES:

1. HVAC WARNING: DO NOT PLACE FIXTURES CLOSE TO HVAC VENTS WHERE THEY ARE EXPOSED TO AIR CURRENTS. OSCILLATION WILL EVENTUALLY CAUSE METAL FATIGUE LEADING TO FAILURE.
2. FIXTURES ARE NOT RECOMMENDED FOR OUTDOOR USE. THEY SHOULD NOT BE EXPOSED TO WATER OR WIND, OR ALLOWED TO OSCILLATE.
3. AVOID CHEMICAL-LADEN ENVIRONMENTS SUCH AS INDOOR SWIMMING POOLS.

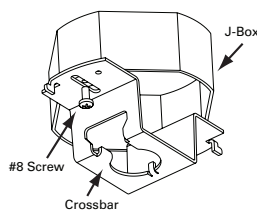


FIG. 1

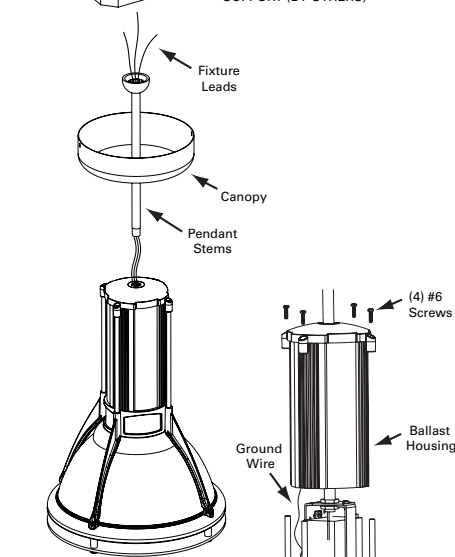
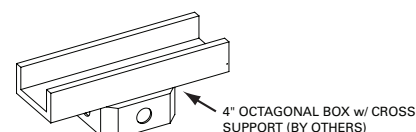


FIG. 2

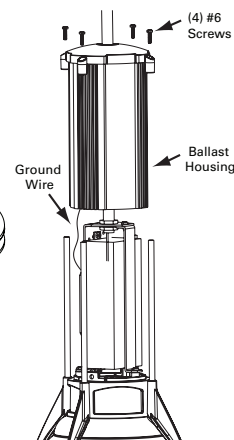


FIG. 3

1. Install the crossbar to a 4" octagonal j-box using two (2) #8 screws (not supplied). **FIG. 1**
2. Slide canopy onto pendant stem. Feed wire (supplied with fixture) through pendant stem. Slide pendant stem into top of fixture. **FIG. 2**
3. Remove four (4) screws from top of ballast housing and slide ballast housing up pendant stem. **FIG. 3**
4. Thread pendant stem through the nut, sheet metal bracket, lockwasher, and second nut. Tighten nuts to secure stem. Reinstall ballast housing with same four (4) screws. **FIG. 4**
5. Insert the pendant stem ball in the crossbar. Splice fixture leads to incoming leads, ground crossbar and install canopy. **FIG. 5 and FIG. 6**

#### TO INSURE PROPER GROUNDING AND POLARITY:

- Connect fixture ground wire (green) to the supply ground wire or j-box ground.
- Connect the fixture neutral wire (white) to the supply neutral wire.
- Connect the fixture line wire (black) to the supply line wire.

**NOTE:** If you are unsure which wires are ground, neutral, or line, consult an electrician.

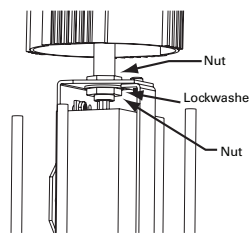


FIG. 4

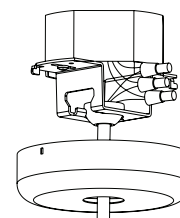


FIG. 5

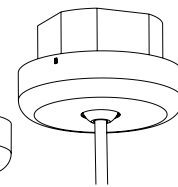


FIG. 6

These instructions do not claim to cover all details or variations in the equipment, procedure, or process described, nor to provide directions for meeting every possible contingency during installation, operation or maintenance. When additional information is desired to satisfy a problem not covered sufficiently for user's purpose, please contact your nearest representative.

**NOTE:** Specifications and dimensions subject to change without notice.

# PORTFOLIO®

## Avid Series (Small) Pendant Mount

### INSTALLATION INSTRUCTIONS

IMPORTANT : READ CAREFULLY BEFORE INSTALLING FIXTURE. RETAIN FOR FUTURE REFERENCE

IMI-735

09/07/10

page 2 of 2

#### SOCKET ADJUSTMENT:

The socket location is pre-set at the factory for the light distribution designated on the order. However, if field adjustment is desired, squeeze the socket bracket and move socket into desired position as shown.

#### LENS INSTALLATION & REMOVAL:

Door is retained by four (4) #8 thumb screws. The screws are captive in the door.

#### IMPORTANT: THE DOOR IS NOT TETHERED TO THE FIXTURE.

Care must be taken not to drop the door during installation and removal.

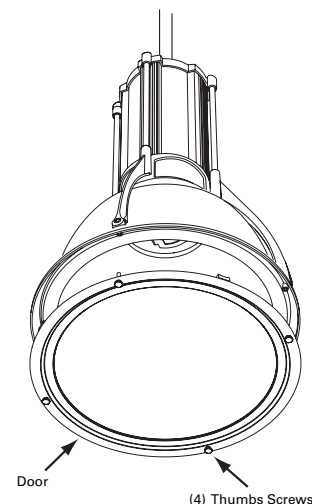
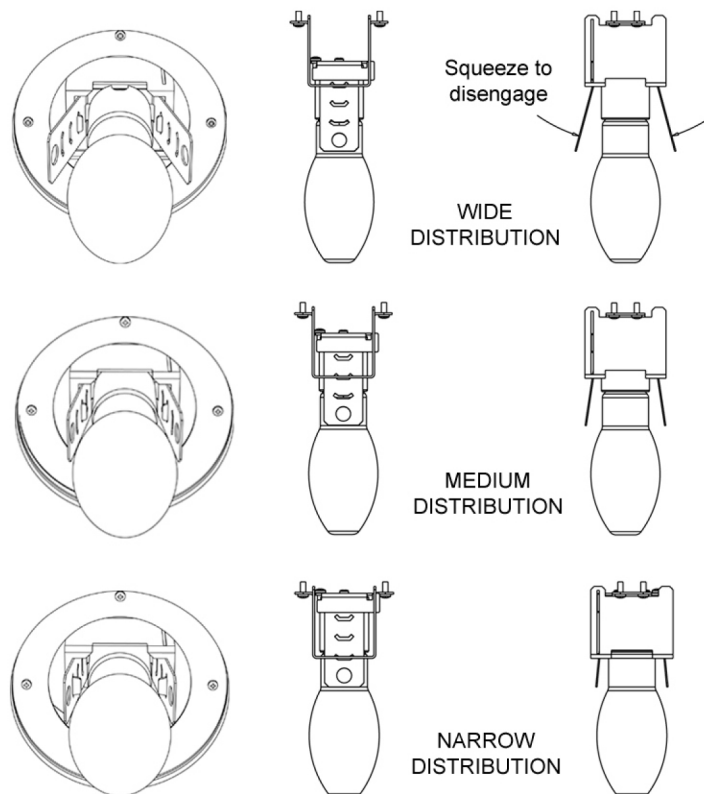
#### REFLECTOR AND LENS CLEANING:

1. Loosen four (4) thumb screws and carefully remove the door assembly.
2. Dust fixture with soft, clean, dry cloth.
3. Do not use alkaline or acidic cleaners on reflector surfaces.
4. Clean lens with non-abrasive glass cleaning solution.
5. Reassemble door assembly to fixture.

**NOTE:** A regular maintenance schedule should be followed to retain optimal light output and reduce heat retention.

#### RELAMPING NOTES:

1. Only use lamp specified on lamp label.
2. Before changing lamp, switch off power supply and let lamp cool down.
3. When disposing of old lamp, local regulations must be observed. Care should be taken that the outer envelope does not break since oxidation of the metallic components inside the lamp could result in the generation of sparks.
4. Avoid scratching or damaging the outer glass envelope of the lamp. Replace the lamp immediately if the outer bulb is broken.
5. While lamp is burning, avoid contact with cold objects or water.
6. If the lamp has difficulty restarting after a temporary break in circuit supply, switch the fixture off for 10 to 15 minutes.
7. In order to prevent damage to the ballast, the lamp should be replaced as soon as possible at the end of its rated life. Symptoms of lamp failure are marked changes in lamp color, flickering, and/or failure to start.
8. It is recommended that the lamps be stored in cool, dry conditions to prevent oxidation of the lamp contacts.
9. The fixture manufacturer accepts no liability for injury or damage resulting from incorrect use of the lamp or from lamp use with inappropriate equipment.



These instructions do not claim to cover all details or variations in the equipment, procedure, or process described, nor to provide directions for meeting every possible contingency during installation, operation or maintenance. When additional information is desired to satisfy a problem not covered sufficiently for user's purpose, please contact your nearest representative.

**NOTE:** Specifications and dimensions subject to change without notice.

ADP101234