

DESCRIPTION

AVID Series delivers a scalable aesthetically pleasing family of luminaires that combines the needs of lighting designers, architects, and building owners of architectural form providing great lighting performance in interior spaces. This rugged luminaire design considers multiple mounting configurations integrating a vast array of lamp sources and ballast technologies allowing specifications to combine one style for many interior application needs.

| | | |
|--------------------|--|-------------|
| Catalog # | | Type |
| Project | | |
| Comments | | Date |
| Prepared by | | |

SPECIFICATION FEATURES

Mounting

Cast aluminum top can be specified for pendant or suspension mounting. Pendant mounting comes with 1/2" pipe with internal locking screw assuring security. Suspension mounting has two stainless steel suspension cables with quick adjustment enabling the luminaire to be quickly leveled.

Integral Ballast Housing

Integral ballast housing consists of heat dissipating aluminum finned construction allowing thermal transfer from the electrical compartment to the exterior surfaces through convection heat transfer assuring a lasting reliable electrical gear.

Remote Ballast Housing

Remote ballast housing allows for installation of the ballast above the ceiling, providing a lower profile appearance.

Midsection

Cast aluminum midsection is designed to dissipate the heat energy away from the lamp compartment separating the optical cavity from the integral ballast housing assuring a cool operation.

Optical System

Optical construction is designed to remain flexible providing multiple distributions and optical types. The extensive refractive and reflective optical systems with internal distribution adjustments allow for a wide range of application needs.

Lamp and Ballast System

With a vast array of lamps available, the luminaire can be specified with the latest cost effective lighting systems for the application needs.

Finish

Housing components are finished in a five-stage cleaning and corrosion pretreatment system and coated and baked with a premium TGIC polyester powder providing superior protection against fading and peeling. Standard colors include white, grey, bronze, black, graphite metallic, and dark platinum. RAL or custom color matches available.

Labels

cULus listed for damp locations.



**AIS
AVID SMALL**

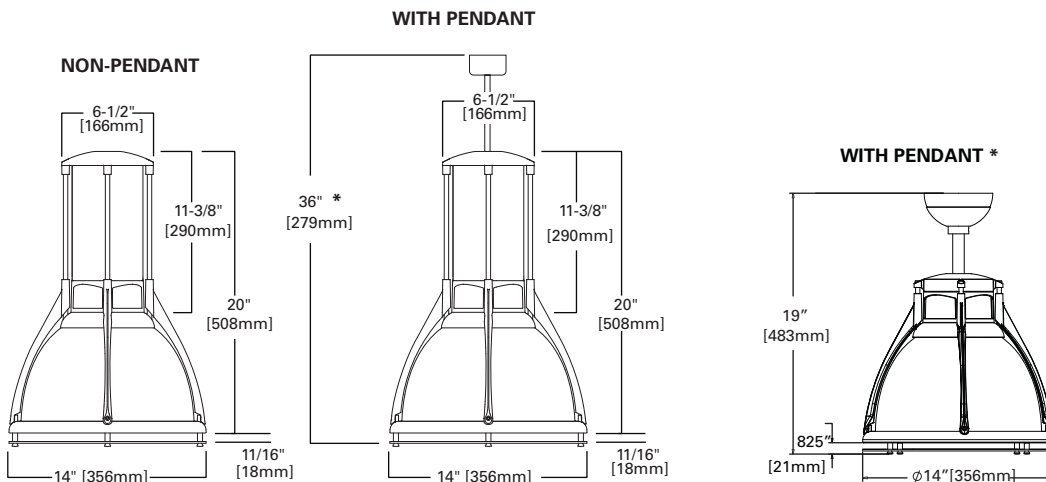
- 39 - 100W
Pulse Start Metal Halide**
- 26 - 84W
Compact Fluorescent
250W**
- Quartz Halogen
200W**
- Incandescent**

**DECORATIVE
HIGH-BAY LUMINAIRE**

DIMENSIONS

**INTEGRAL MOUNT
(BALLAST)**

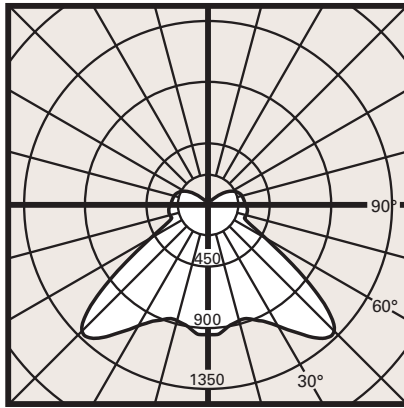
**REMOTE MOUNT
(BALLAST)**



* See accessories for ordering information for pendant kit. Pendant Kit dimension based on distance from mounting plane to the bottom of the fixture.

TECHNICAL DATA
 25°C Ambient Environment





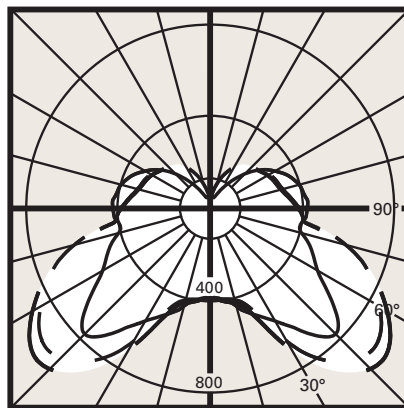
CP/1000

AIS-70-MH-G12-W
70-Watt Coated Ceramic Metal Halide 12" Glass Refractor, Wide Distribution, 1,600-Lumen Lamps

| Coefficients Of Utilization | | | | | | | | | | | | | | | | | | | | | | | | | | |
|--|-----|----|----|----|-----|----|----|----|-----|----|----|----|-----|----|----|----|-----|----|----|----|----|----|----|---|--|--|
| Effective floor cavity reflectance 20% | | | | | | | | | | | | | | | | | | | | | | | | | | |
| rc | 80% | | | | 70% | | | | 50% | | | | 30% | | | | 10% | | | | 0% | | | | | |
| rw | 70 | 50 | 30 | 10 | 70 | 50 | 30 | 10 | 50 | 30 | 10 | 50 | 30 | 10 | 50 | 30 | 10 | 50 | 30 | 10 | 50 | 30 | 10 | 0 | | |
| RCR | | | | | | | | | | | | | | | | | | | | | | | | | | |
| 1 | 88 | 83 | 79 | 75 | 84 | 79 | 76 | 72 | 73 | 70 | 67 | 66 | 64 | 62 | 61 | 59 | 57 | 54 | | | | | | | | |
| 2 | 79 | 72 | 66 | 61 | 76 | 69 | 63 | 59 | 63 | 59 | 55 | 58 | 54 | 51 | 53 | 50 | 47 | 45 | | | | | | | | |
| 3 | 72 | 63 | 56 | 50 | 69 | 60 | 54 | 48 | 55 | 50 | 45 | 51 | 46 | 42 | 46 | 43 | 40 | 37 | | | | | | | | |
| 4 | 66 | 55 | 48 | 42 | 63 | 53 | 46 | 41 | 49 | 43 | 38 | 45 | 40 | 36 | 41 | 37 | 34 | 31 | | | | | | | | |
| 5 | 60 | 49 | 41 | 35 | 57 | 47 | 40 | 35 | 43 | 37 | 33 | 40 | 35 | 31 | 37 | 32 | 29 | 27 | | | | | | | | |
| 6 | 55 | 44 | 36 | 30 | 53 | 42 | 35 | 30 | 39 | 33 | 28 | 36 | 31 | 27 | 33 | 28 | 25 | 23 | | | | | | | | |
| 7 | 51 | 39 | 32 | 26 | 48 | 38 | 31 | 26 | 35 | 29 | 24 | 32 | 27 | 23 | 30 | 25 | 22 | 20 | | | | | | | | |
| 8 | 47 | 36 | 28 | 23 | 45 | 34 | 27 | 23 | 32 | 26 | 21 | 29 | 24 | 20 | 27 | 23 | 19 | 17 | | | | | | | | |
| 9 | 44 | 32 | 25 | 20 | 42 | 31 | 24 | 20 | 29 | 23 | 19 | 27 | 22 | 18 | 25 | 20 | 17 | 15 | | | | | | | | |
| 10 | 41 | 30 | 23 | 18 | 39 | 28 | 22 | 18 | 26 | 21 | 17 | 25 | 20 | 16 | 23 | 18 | 15 | 14 | | | | | | | | |

| Spacing Criterion 1.8 | | | |
|-----------------------|-------|--------|-------|
| Zone | %Lamp | Zone | %Lamp |
| 0-30 | 13.0 | 0-90 | 68.6 |
| 0-40 | 25.1 | 90-180 | 16.9 |
| 0-60 | 52.6 | Total | 85.5 |

| Candlepower | |
|-------------|------|
| Degree | CP |
| 0 | 954 |
| 5 | 951 |
| 15 | 881 |
| 25 | 943 |
| 35 | 1150 |
| 45 | 1307 |
| 55 | 727 |
| 65 | 336 |
| 75 | 291 |
| 85 | 287 |
| 90 | 274 |
| 95 | 267 |
| 105 | 255 |
| 115 | 222 |
| 125 | 156 |
| 135 | 66 |
| 145 | 27 |
| 155 | 26 |



CP/1000

AIS-242-CF-AC12-M
42-Watt CF42TTT/E/841, 12" Clear Acrylic Refractor, Medium Distribution, 3,200-Lumen Lamps

| Coefficients Of Utilization | | | | | | | | | | | | | | | | | | | | | | | | | | |
|--|-----|----|----|----|-----|----|----|----|-----|----|----|----|-----|----|----|----|-----|----|----|----|----|----|----|---|--|--|
| Effective floor cavity reflectance 20% | | | | | | | | | | | | | | | | | | | | | | | | | | |
| rc | 80% | | | | 70% | | | | 50% | | | | 30% | | | | 10% | | | | 0% | | | | | |
| rw | 70 | 50 | 30 | 10 | 70 | 50 | 30 | 10 | 50 | 30 | 10 | 50 | 30 | 10 | 50 | 30 | 10 | 50 | 30 | 10 | 50 | 30 | 10 | 0 | | |
| RCR | | | | | | | | | | | | | | | | | | | | | | | | | | |
| 1 | 85 | 80 | 75 | 70 | 80 | 75 | 70 | 66 | 66 | 62 | 59 | 57 | 55 | 52 | 50 | 48 | 46 | 42 | | | | | | | | |
| 2 | 76 | 67 | 60 | 54 | 71 | 63 | 57 | 51 | 55 | 50 | 46 | 48 | 44 | 40 | 41 | 38 | 35 | 32 | | | | | | | | |
| 3 | 68 | 58 | 50 | 43 | 63 | 54 | 47 | 41 | 47 | 41 | 36 | 41 | 36 | 32 | 35 | 31 | 28 | 25 | | | | | | | | |
| 4 | 62 | 50 | 42 | 35 | 57 | 47 | 39 | 33 | 41 | 35 | 30 | 36 | 30 | 26 | 30 | 26 | 23 | 20 | | | | | | | | |
| 5 | 56 | 44 | 35 | 29 | 52 | 41 | 33 | 28 | 36 | 30 | 25 | 31 | 26 | 22 | 27 | 22 | 19 | 16 | | | | | | | | |
| 6 | 51 | 39 | 31 | 25 | 48 | 36 | 29 | 23 | 32 | 26 | 21 | 28 | 22 | 18 | 24 | 19 | 16 | 14 | | | | | | | | |
| 7 | 47 | 35 | 27 | 21 | 44 | 33 | 25 | 20 | 29 | 22 | 18 | 25 | 20 | 16 | 21 | 17 | 14 | 11 | | | | | | | | |
| 8 | 44 | 31 | 23 | 18 | 41 | 29 | 22 | 17 | 26 | 20 | 15 | 22 | 17 | 14 | 19 | 15 | 12 | 10 | | | | | | | | |
| 9 | 40 | 28 | 21 | 16 | 38 | 27 | 20 | 15 | 23 | 18 | 13 | 20 | 15 | 12 | 18 | 13 | 10 | 8 | | | | | | | | |
| 10 | 38 | 26 | 19 | 14 | 35 | 24 | 18 | 13 | 21 | 16 | 12 | 19 | 14 | 10 | 16 | 12 | 9 | 7 | | | | | | | | |

| Spacing Criterion 2.4 | | | |
|-----------------------|-------|--------|-------|
| Zone | %Lamp | Zone | %Lamp |
| 0-30 | 6.4 | 0-90 | 58.7 |
| 0-40 | 13.5 | 90-180 | 28.7 |
| 0-60 | 33.7 | Total | 87.4 |

| Candlepower | |
|-------------|-----|
| Degree | CP |
| 0 | 385 |
| 5 | 388 |
| 15 | 409 |
| 25 | 521 |
| 35 | 783 |
| 45 | 915 |
| 55 | 904 |
| 65 | 782 |
| 75 | 611 |
| 85 | 416 |
| 90 | 402 |
| 95 | 365 |
| 105 | 327 |
| 115 | 308 |
| 125 | 289 |
| 135 | 262 |
| 145 | 234 |
| 155 | 178 |

ORDERING INFORMATION

SAMPLE NUMBER: AIS-100-MH-120-A12-M-I-SC-GM

| | | | | | | |
|--|---|--|---|--|--|---|
| <p>Product Family AIS=AVID Series Small</p> | <p>Lamp Wattage HID 39=39W T6 G12 10 (Requires lower shielding Lens) 50=50W Medium Base 11 70=70W Medium Base 11 100=100W Medium Base 11 Compact Fluorescent 9, 1, 8 X=Number of Lamps X26=(1 or 2) 26W X32=(1 or 2) 32W X42=(1 or 2) 42W Quartz 1 250=250W Incandescent 1 200=200W Lamp Type MP= Pulse Start Metal Halide CF= Compact Fluorescent IN= Incandescent QZ= Quartz Halogen</p> | <p>Voltage 120=120V 208=208V 240=240V 277=277V UNV=120-277V (Compact Fluorescent only) Optical System Borocarbonate Glass G12=12" Glass Refractor SG12=12" Shroud with Glass Refractor Aluminum A12=12" Performance Reflector 2 (Available with HID only) S12=12" Shroud only Acrylic AC12=12" Clear Acrylic SAC12=12" Shroud with Clear Acrylic</p> | <p>Distribution N=Narrow M=Medium W=Wide X=Fixed Position 8 Ballast Housing I=Integral R=Remote (HID only)</p> | <p>Mounting Options Pendant 4 P=Pendant Mount 5 Cable SC=Cable Mount with Straight Power Cord 3 (Standard Length 120") CC=Cable Mount with Coiled Power Cord 3 (Standard Length 4'-10')</p> | <p>Finish BK=Black AP=Grey BZ=Bronze WH=White DP=Dark Platinum GM=Graphite Metallic</p> | <p>Options F1=Single Fuse F2=Double Fuse LL=Lamp Included FGS=Frosted Glass 10 Lens CGL=Clear Glass Lens 10 DFR=Decorative Frosted Ring OR=Open Rated Socket Accessories AIS-I-PXX-XX =Small Pendant kit for integral ballast housing 6 AIS-R-PXX-XX=Small Pendant kit for remote ballast housing (HID only) 8</p> |
|--|---|--|---|--|--|---|

NOTES: 1 Cannot be used with AC12 Optic. 2 Shroud comes standard with Performance Reflector. 3 Specify W for white cord, example: SCW. 4 Pendant dimension refers to the distance from the mounting plane to the bottom of the fixture. 5 Must order pendant kit separately, see accessories for ordering information. 6 Specify distance from mounting plane to the bottom of the fixture and finish. Example: AIS-I-P24-GM. 7 Specifications and dimensions subject to change without notice. 8 Specify X for lamp type CF. 9 Compact fluorescent fixtures not available with EM Battery Pack option. 10 Must specify FGS or CGL when ordering T6 fixture. 11 Must specify FGS or CGL.