

PORTFOLIO®

INSTALLATION INSTRUCTIONS

IMPORTANT : READ CAREFULLY BEFORE INSTALLING FIXTURE. RETAIN FOR FUTURE REFERENCE

CSQ4/CSQ6 COMMERCIAL RECESSED CFL Rough-In Installation Instructions

705082 INS

08/01/11

page 1 of 4

⚠ WARNING

Risk Of Electrical Shock

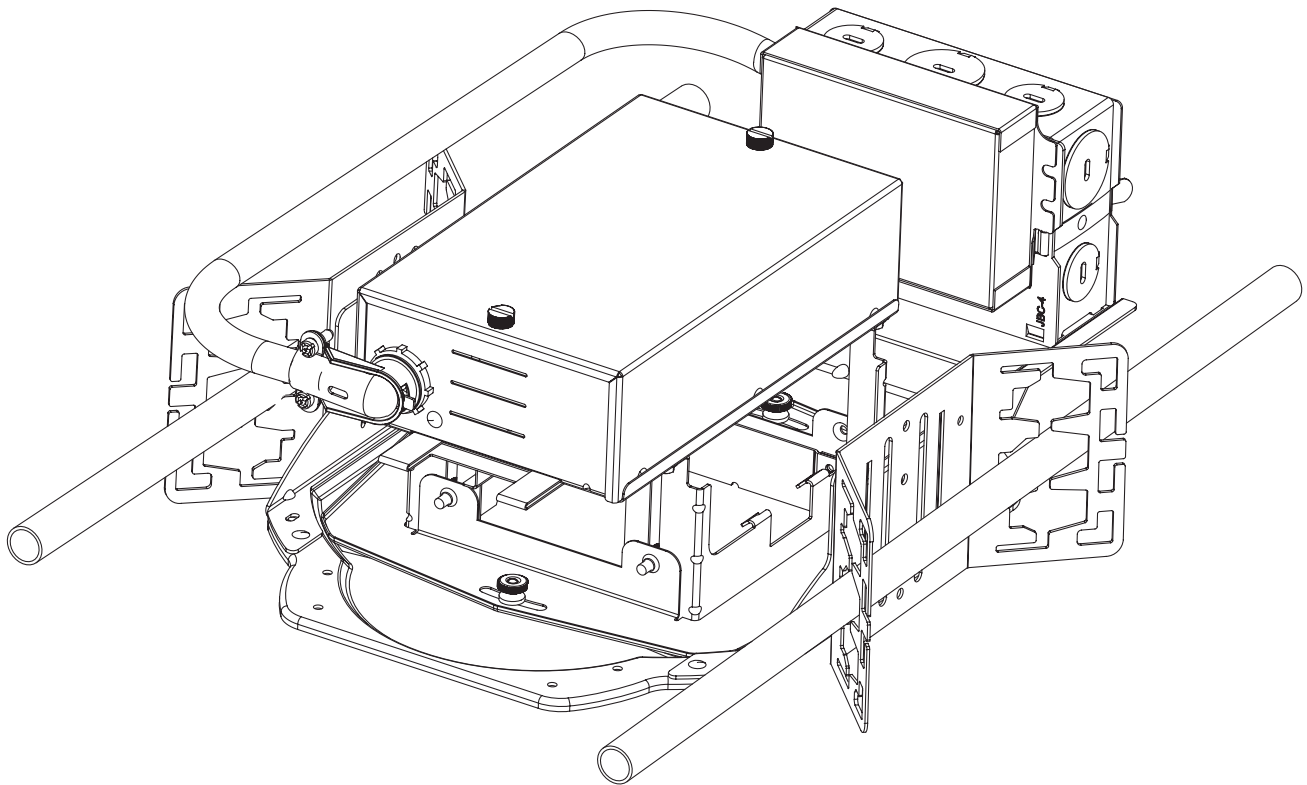
Disconnect power at fuse or circuit breaker before installing or servicing.

⚠ WARNING

Risk Of Fire

Do not install insulation within 3 inches (76 mm) of any part of the luminaire fixture or in a way that may entrap heat.

	Aperture	Ceiling Cutout
CSQ4	4-1/2" x 4-1/2"	5-1/4" x 5-1/4"
CSQ6	6" x 6"	6-3/4" x 6-3/4"



NOTE: This fixture should be supported by main runners or other structure that is capable of supporting fixture weight of 10 lbs.

IMPORTANT SAFEGUARDS: When using electrical equipment, basic safety precautions should always be followed, including the following:

READ AND FOLLOW ALL SAFETY INSTRUCTIONS

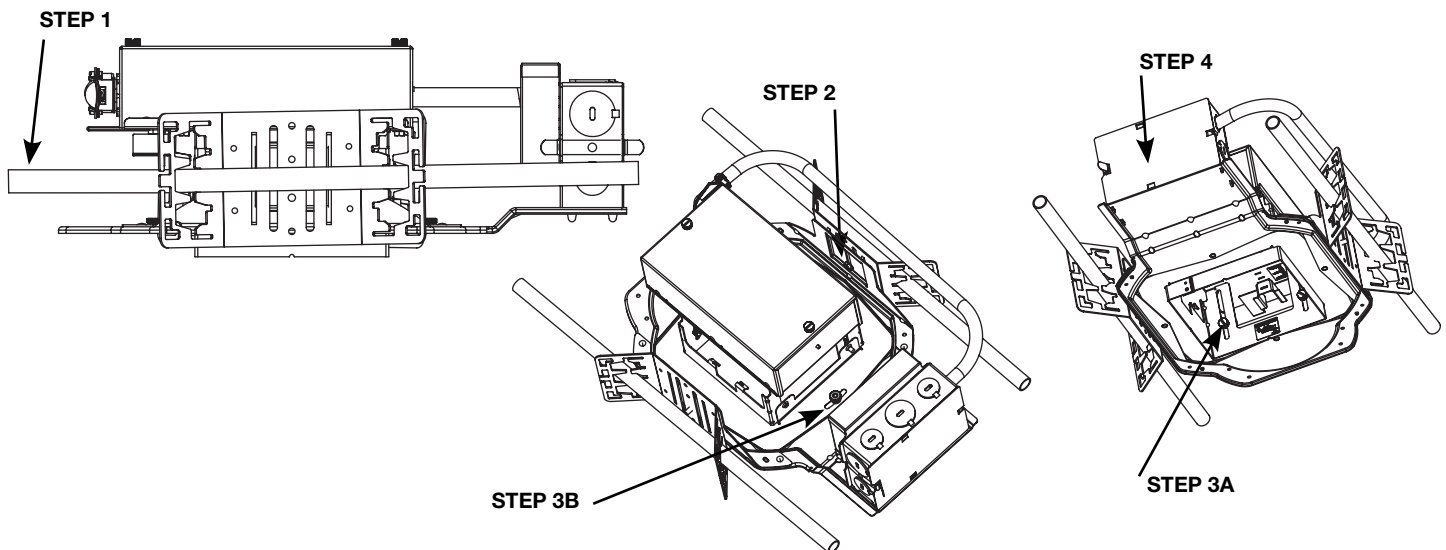
- 1 This unit is for recessed mounting only. Do not use in hazardous locations nor near gas or electric heaters.
- 2 Do not use this equipment for other than the intended use.
- 3 Install only in accordance with National Electrical Code and local regulatory agencies' requirements.

WARNING:

Installation and servicing to be performed only by qualified personnel, If not qualified, consult an electrician.

To Install Rough-In Section

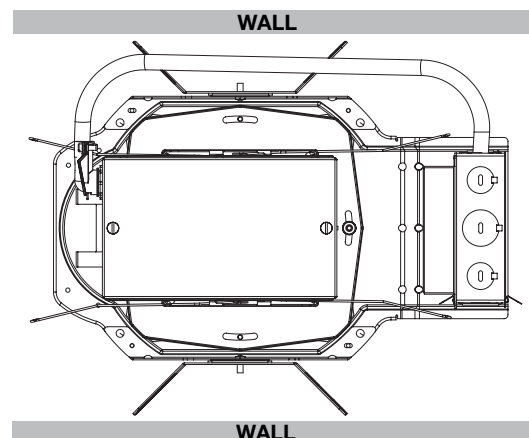
- Step 1** Install fixture into ceiling cavity using 1/2" electrical conduit. Use 3/4" channel, 1-1/2" channel, 1/8" x 1/2" bar stock, or T-bar fasteners as mounting rails (furnished by others) by inserting the through hanger brackets at both sides.
- Step 2** Adjust hanger adjustment screws so bottom is flush with finished ceiling line. Hanger bracket is reversible for total adjustment of 5".
- Step 3A** (height): Square neck can also be adjusted by loosening the thumbscrews and adjusting such that the neck is flush with the ceiling. Once desired height is achieved, tighten thumb screws.
- Step 3B** (rotation): If rotation of the square neck is required, loosen 2 thumbscrews. Rotate the square neck to the desired position. Tighten thumbscrews upon completion.
- Step 4** Remove one of the junction box covers. Connect supply lead wires to lead wires of driver per wiring diagram and in accordance with your local electrical code(s) or N.E.C.



To Install Rough-In Section

For wall wash installation:

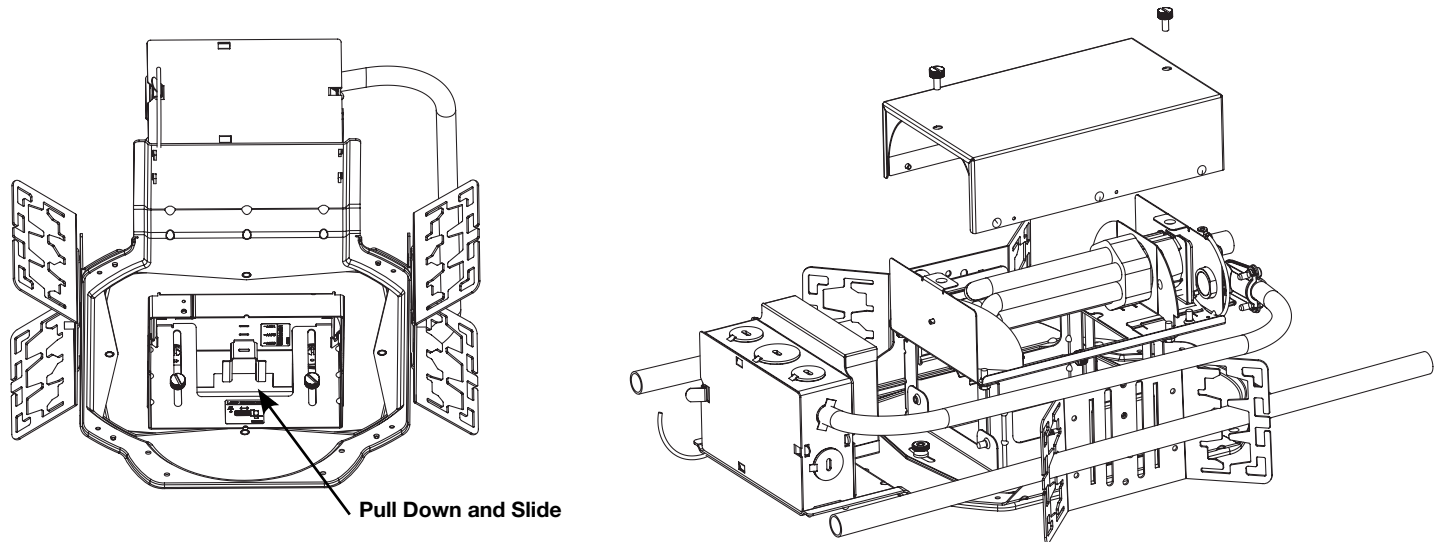
Install fixture with either side parallel with wall.



Lamp Installation

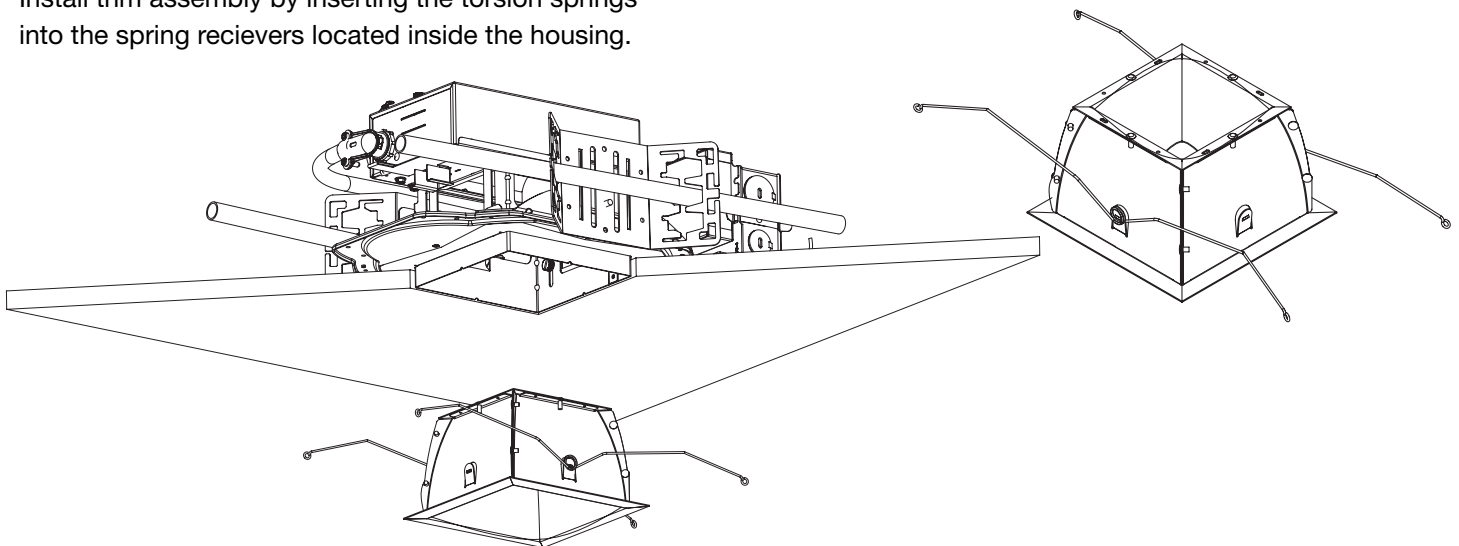
Adjust lamp position by pulling down tab and sliding socket assembly to desired position.

Lamp can be installed by inserting from aperture or removing top cover.



Trim Installation

Install trim assembly by inserting the torsion springs into the spring receivers located inside the housing.



To Clean Trims:

- Step 1.** Gently wipe with soft, clean, dry lint-free cloth to remove dust.
- Step 2.** Wipe with mild detergent solution on a soft, clean cloth to remove fingerprints and stains.
- Step 3.** Rinse with clean water and dry with soft, clean, dry lint-free cloth.

PORTFOLIO®

INSTALLATION INSTRUCTIONS

IMPORTANT : READ CAREFULLY BEFORE INSTALLING FIXTURE. RETAIN FOR FUTURE REFERENCE

CSQ4/CSQ6 COMMERCIAL RECESSED CFL Rough-In Installation Instructions

705082 INS

08/01/11

page 4 of 4

Electrical Connection

CAUTION: Make certain no bare wires are exposed outside of wire nut connectors.

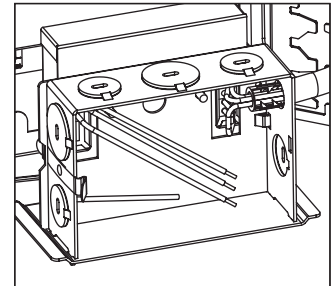
Step 1. Provide electrical service according to the "National Electrical Code" or your local electrical code to the junction box (located on the plasterframe). Supply wire insulation must be rated for at least 90 C. The junction box is rated for a maximum of 8 No. 12 AWG Branch Circuit conductors and is also suitable for at least 90 C.

Step 2. Remove junction box cover.

Step 3. Remove appropriate round pryout and connect conduit to junction box with proper connector (not included).

Step 4. Connect supply lead wires to junction box lead wires (line, neutral and ground) in the fixture using properly sized wire nuts. Be careful not to leave any bare conductors outside of the wire nut connectors.

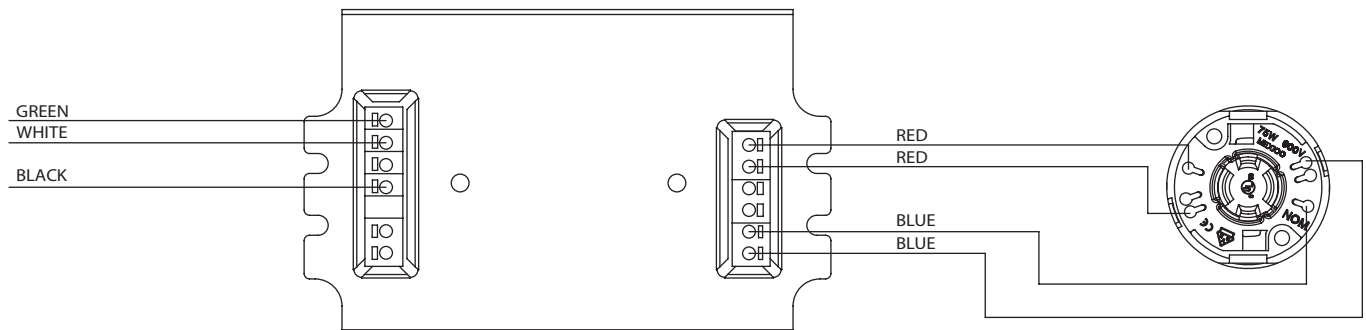
Step 5. Connect white to white, black to black, and green (from electrical service) on the supply side to the green and bare copper wire in the junction box. Place all excess wiring and connections into the junction box and replace the cover.



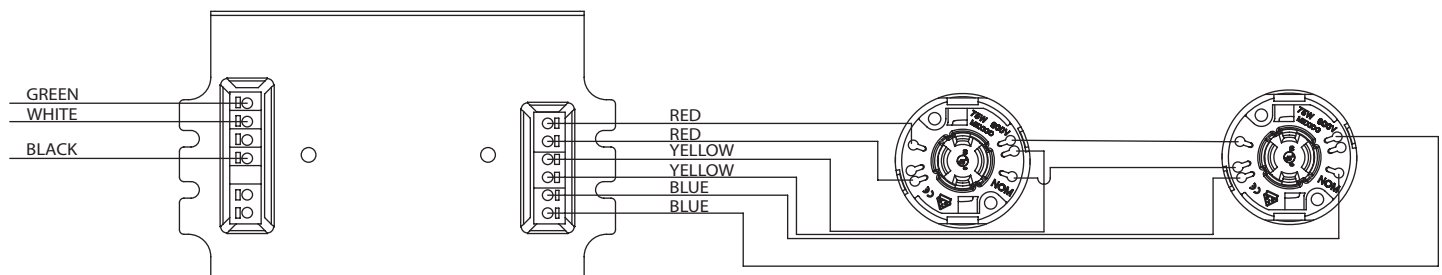
BLACK ——— | ——— LINE
WHITE ——— | ——— NEUTRAL
GREEN/BARE COPPER ——— | ——— GROUND

Wiring Diagrams

WIRING DIAGRAM FOR SINGLE LAMP FIXTURE



WIRING DIAGRAM FOR DOUBLE LAMP FIXTURE



ADP111492