

## DESCRIPTION

4-inch square recessed horizontal open downlight designed for use with 18W, 26W or 32W compact fluorescent lamps. Regressed lensed reflector produces smooth distribution with excellent light control and low aperture brightness. Lensed downlight is interchangeable within the same housing.

<b>Catalog #</b>		<b>Type</b>
<b>Project</b>		
<b>Comments</b>		<b>Date</b>
<b>Prepared by</b>		

## SPECIFICATION FEATURES

### Reflector

Miro® curved upper reflector provides smooth beam with even distribution. Lower reflector available in all Portfolio finishes.

### Lens

Choice of prismatic glass, prismatic polycarbonate, diffuse glass, diffuse polycarbonate, clear glass or clear polycarbonate.

### Trim Retention

Reflector is retained with two torsion springs holding the flange tightly to the finished ceiling surface.

### Plaster Frame / Collar

Galvanized steel plaster frame with adjustable collar adjusts for up to 2" thick ceilings and rotates +/- 7.5°.

### Universal Mounting Bracket

Accepts 1/2" EMT, C channel and bar hangers and adjusts 5" vertically from above and below the ceiling.

### Junction Box

(4) 1/2" and (2) 3/4" trade size pry outs positioned to allow straight conduit runs. Listed for (8) #12 AWG (four in, four out) 90°C conductors and feed thru branch wiring.

### Rotary Lock Socket

18W Lamps: GX24q2;  
26/32W Lamps: GX24q3.  
Fatigue-free stainless steel lamp spring ensures positive lamp retention.

### Electronic Ballast

Electronic ballast provides full light output and rated lamp life. Provides flicker-free and noise-free operation and starting. End of lamp life protection is standard.

### Labels

Thermally protected and cULus listed, standard damp label. ARRA compliant.

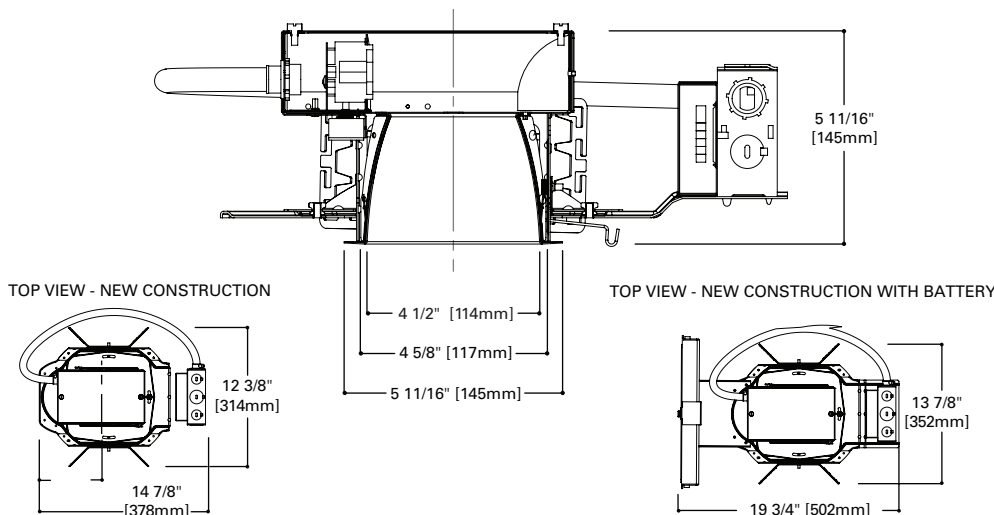


## CSQ4118 CSQ4132

## 4CSQL

**18W, 26W DTT or TTT  
or 32W TTT  
Compact Fluorescent**

**4-Inch  
Square Lensed Downlight**



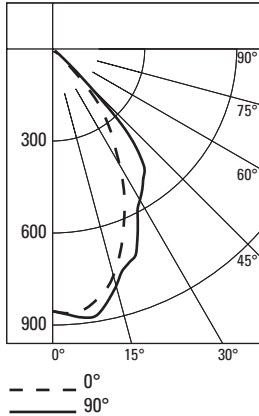
Energy Data	
Sound Rating: Class A standards	
<b>18W 4-pin</b>	
Ballast: Electronic	
Min. Starting Temperature: -18°C (0°F)	
120V Input Watts: 20	Line Amps: 0.17
277V Input Watts: 20	Line Amps: 0.08
Power Factor: >0.99	THD: >10%
<b>26W 4-pin</b>	
Ballast: Electronic	
Min. Starting Temperature: -10°C (15°F)	
120V Input Watts: 29	Line Amps: 0.25
277V Input Watts: 26	Line Amps: 0.09
Power Factor: >0.99	THD: >10%
<b>32W 4-pin</b>	
Ballast: Dimming	
Min. Starting Temperature: -12°C (10°F)	
120V Input Watts: 38	Line Amps: 0.31
277V Input Watts: 37	Line Amps: 0.13
Power Factor: >0.95	THD: >20%

Example: **CSQ4118ECP 4CSQL1L1** = 4" Square CFL Horizontal Lensed Downlight, 18 Watt Double Twin Tube 120/277 Volt, Chicago Plenum, Self Flanged with Specular Clear Finish, Prismatic Lens

Housing	Wattage	Ballast	Options	Reflector	Finish	Lens	Options	Accessories
<b>CSQ4</b> = 4" CFL Horizontal	<b>118</b> = 18W DTT <b>132</b> = 26 or 32W	<b>E</b> = 120/277V 50/60 Hz Electronic <b>3E</b> = 347V 50/60 Hz Electronic <b>D</b> = 18W 120-277V Dimming, Lutron EcoSystem <b>D26/32</b> = 26 or 32W (120-277V) Dimming, Lutron Eco System	<b>CP</b> = Chicago Plenum <b>EM</b> = Emergency Module with Remote Test Switch  <b>4CSQL1</b> = Downlight Reflector, Lens Assembly, Self Flanged <b>4CSQL0</b> = Downlight Reflector, Lens Assembly Polymer Trim Ring	<b>LI</b> = Specular Clear <b>H</b> = Semi-Specular Clear <b>WMH</b> = Warm Haze <b>G</b> = Specular Gold <b>WH</b> = Wheat <b>WHH</b> = Wheat Haze <b>CC</b> = Chocolate <b>CCH</b> = Chocolate Haze <b>B</b> = Specular Black <b>W</b> = Gloss White	<b>1</b> = Prismatic lens <b>2</b> = Diffuse lens <b>3</b> = Clear lens <b>1G</b> = Prismatic glass <b>2G</b> = Diffuse glass <b>3G</b> = Clear glass  <b>WF</b> = White painted flange (self flanged only)	<b>HB26</b> = C Channel Bar Hanger, 26" Long, Pair <b>HB50</b> = C Channel Bar Hanger, 50" Long, Pair <b>RMB22</b> = Wood Joist Bar Hanger, 22" Long, Pair		

**PHOTOMETRICS**

**Candlepower Distribution Curve**



Test No. P31155  
 CSQ4132E-4CSQL1L13  
 Lamp = 32W TTT  
 Lumens = 2400  
 Spacing Criteria: 0°=.9, 90°=1.1  
 Efficiency = 42.2%

**Zonal Lumen Summary**

Zone	Lumens	%Fixture
0-30	584	57.7
0-40	835	82.5
0-60	998	98.6
0-90	1013	100.0
90-180	0	0.0
0-180	1013	100.0

**Luminance**

Degrees	CD/SQ M	
	0°	90°
45	15202	27801
55	3714	5403
65	1833	2521
75	1122	1497
85	0	1111

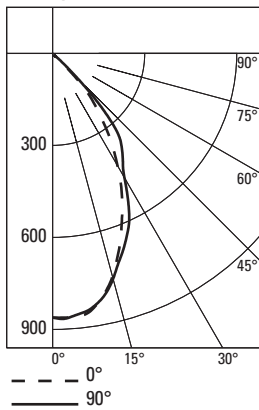
**Candela Distribution**

Degrees Vertical	0°	90°
0	855	855
5	862	876
15	766	801
25	558	659
35	338	517
45	111	203
55	22	32
65	8	11
75	3	4
85	0	1
90	0	0

**Cone of Light**

D	FC	L	W
5'0"	35	4.5	5
7'0"	18	6.5	7
8'0"	14	7	8
9'0"	11	8	9
10'0"	9	9	10

**Candlepower Distribution Curve**



Test No. P31156  
 CSQ4132E-4CSQL1L11G  
 Lamp = 32W TTT  
 Lumens = 2400  
 Spacing Criteria: 0°=.9, 90°=1.0  
 Efficiency = 39%

**Zonal Lumen Summary**

Zone	Lumens	%Fixture
0-30	551	58.8
0-40	778	83.1
0-60	924	98.7
0-90	937	100.0
90-180	0	0.0
0-180	937	100.0

**Luminance**

Degrees	CD/SQ M	
	0°	90°
45	16023	22597
55	3546	4559
65	1604	2062
75	748	1122
85	0	0

**Candela Distribution**

Degrees Vertical	0°	90°
0	857	857
5	858	853
15	752	760
25	539	593
35	321	399
45	117	165
55	21	27
65	7	9
75	2	3
85	0	0
90	0	0

**Cone of Light**

D	FC	L	W
5'0"	34	4.5	4.5
7'0"	17	6	6.5
8'0"	13	7	7.5
9'0"	11	8	8.5
10'0"	9	9	9.5