

DESCRIPTION

4 inch square recessed horizontal open downlight designed for use with 18W, 26W or 32W compact fluorescent lamps. Two-stage reflector system produces smooth distribution with excellent light control and low aperture brightness. Lensed downlight is interchangeable within the same housing.

Catalog #		Type
Project		
Comments		Date
Prepared by		

SPECIFICATION FEATURES

Reflector

Miro® curved upper reflector provides smooth beam with even distribution. Lower reflector available in all Portfolio finishes.

Trim Retention

Reflector is retained with two torsion springs holding the flange tightly to the finished ceiling surface.

Plaster Frame / Collar

Galvanized steel plaster frame with adjustable collar adjusts for up to 2" thick ceilings and rotates +/- 75°.

Universal Mounting Bracket

Accepts 1/2" EMT, C channel and bar hangers and adjusts 5" vertically from above and below the ceiling.

Junction Box

(4) 1/2" and (2) 3/4" trade size pry outs positioned to allow straight conduit runs. Listed for (8) #12 AWG (four in, four out) 90°C conductors and feed thru branch wiring.

Rotary Lock Socket

18W-GX24q2;
26/32-GX24q3.

Fatigue-free stainless steel lamp spring ensures positive lamp retention.

Electronic Ballast

Electronic ballast provides full light output and rated lamp life. Provides flicker free and noise free operation and starting. End of lamp life protection is standard.

Labels

Thermally protected and cULus listed, standard damp label. ARRA compliant.

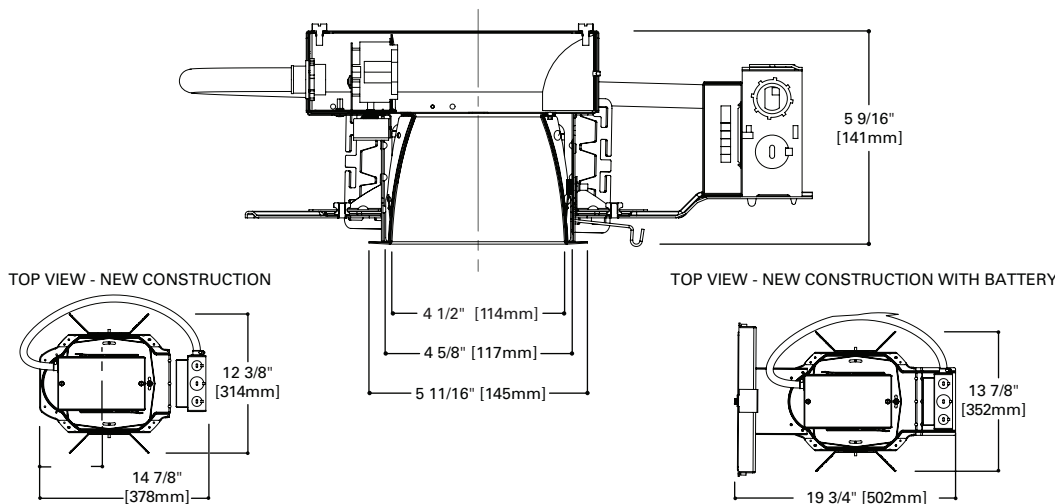


CSQ4118 CSQ4132

4CSQ

18W, 26W DTT or TTT
or 32W TTT
Compact Fluorescent

4-Inch Square Downlight



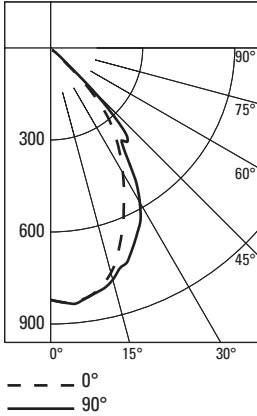
Energy Data	
Sound Rating: Class A standards	
18W 4-pin	
Ballast: Electronic	
Min. Starting Temperature: -18°C (0°F)	
120V Input Watts: 20	Line Amps: 0.17
277V Input Watts: 20	Line Amps: 0.08
Power Factor: >0.99	THD: >10%
26W 4-pin	
Ballast: Electronic	
Min. Starting Temperature: -10°C (15°F)	
120V Input Watts: 29	Line Amps: 0.25
277V Input Watts: 26	Line Amps: 0.09
Power Factor: >0.99	THD: >10%
32W 4-pin	
Ballast: Dimming	
Min. Starting Temperature: -12°C (10°F)	
120V Input Watts: 38	Line Amps: 0.31
277V Input Watts: 37	Line Amps: 0.13
Power Factor: >0.95	THD: >20%

Example: **CSQ4118ECP 4CSQ1LIWF** = 4" Square CFL Horizontal Downlight, (1) 18 Watt Double Twin Tube 120/277 Volt, Chicago Plenum, Self Flanged with Specular Clear Finish

Housing	Wattage	Ballast	Options	Reflector	Finish	Option	Accessories
CSQ4 = 4" CFL Horizontal 118 = (1) 18W 132 = (1) 26 or 32W E = 120/277V 50/60 Hz Electronic 3E = 347V 50/60 Hz Electronic D = 18W 120-277V Dimming, Lutron EcoSystem D26/32 = 26 or 32W 120-277V Dimming, Lutron EcoSystem			CP = Chicago Plenum EM = Emergency Module with Remote Test Switch 4CSQ1 = Downlight Reflector, Self Flanged 4CSQ0 = Downlight Reflector, Polymer Trim Ring	LI = Specular Clear H = Semi-Specular Clear WMH = Warm Haze G = Specular Gold WH = Wheat WHH = Wheat Haze GP = Graphite GPH = Graphite Haze B = Specular Black W = Gloss White	WF = White painted flange (self flanged only)		HB26 = C Channel Bar Hanger, 26" Long, Pair HB50 = C Channel Bar Hanger, 50" Long, Pair RMB22 = Wood Joist Bar Hanger, 22" Long, Pair

PHOTOMETRICS

Candlepower Distribution Curve



Test No. P31089
 CSQ4132E-4CSQ1LI
 Lamp = 32W PLT
 Lumens = 2400
 Spacing Criteria: 0° = .9, 90° = 1.1
 Efficiency = 42.8%

Zonal Lumen Summary

Zone	Lumens	%Fixture
0-30	571	55.7
0-40	832	81.0
0-60	1012	98.6
0-90	1026	100.0
90-180	0	0.0
0-180	1026	100.0

Luminance

Degrees	CD/SQ M	
	0°	90°
45	17638	25429
55	3068	4135
65	1448	1811
75	887	887
85	0	0

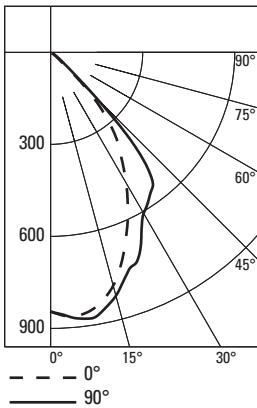
Candela Distribution

Degrees Vertical	0°	90°
	0	816
5	826	832
15	755	778
25	564	665
35	384	440
45	163	235
55	23	31
65	8	10
75	3	3
85	0	0
90	0	0

Cone of Light

D	FC	L	W
5'0"	33	4.5	5.5
7'0"	17	6.5	7.5
8'0"	13	7.5	9
9'0"	10	8.5	10
10'0"	8	9	11

Candlepower Distribution Curve



Test No. P31090
 CSQ4132E-4CSQ1LI
 Lamp = 32W TTT
 Lumens = 2400
 Spacing Criteria: 0° = .9, 90° = 1.1
 Efficiency = 45.1%

Zonal Lumen Summary

Zone	Lumens	%Fixture
0-30	601	55.5
0-40	880	81.3
0-60	1068	98.6
0-90	1083	100.0
90-180	0	0.0
0-180	1083	100.0

Luminance

Degrees	CD/SQ M	
	0°	90°
45	18071	25429
55	3202	4936
65	1448	1992
75	887	1183
85	0	0

Candela Distribution

Degrees Vertical	0°	90°
	0	846
5	865	870
15	791	825
25	600	700
35	398	568
45	167	235
55	24	37
65	8	11
75	3	4
85	0	0
90	0	0

Cone of Light

D	FC	L	W
5'0"	35	4.5	4.5
7'0"	18	6.5	7.5
8'0"	13	7	8.5
9'0"	11	8	9.5
10'0"	9	9	11