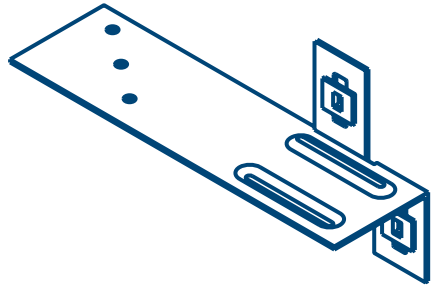


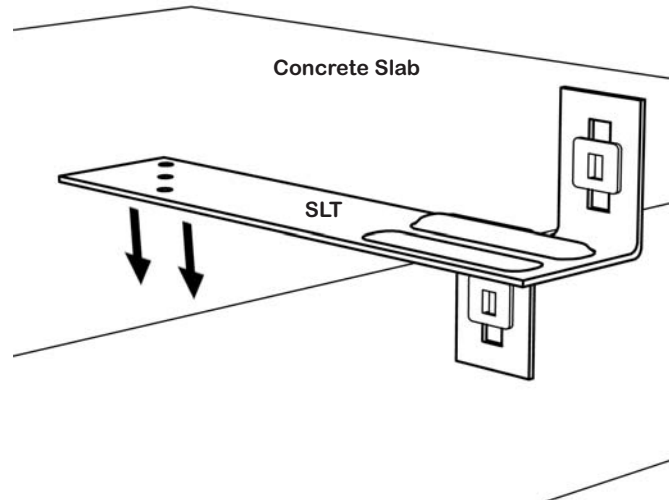
# VertiClip® SLT Installation Instructions

## Vertical Deflection @ Structure Bypass

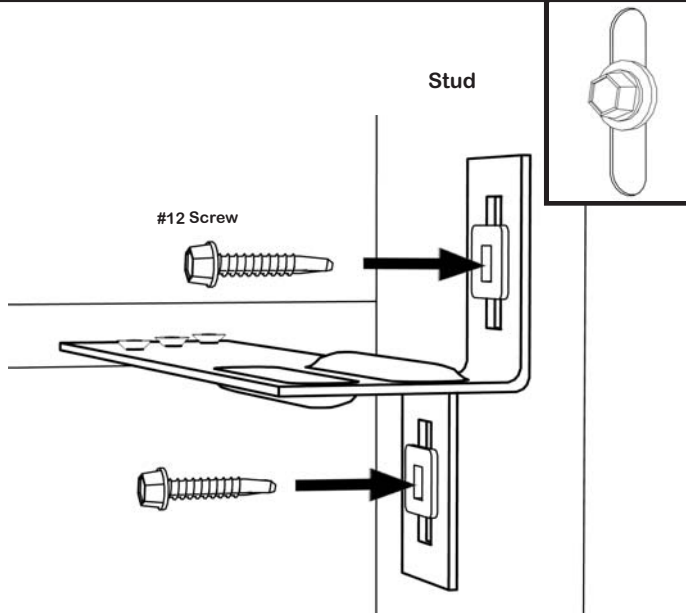
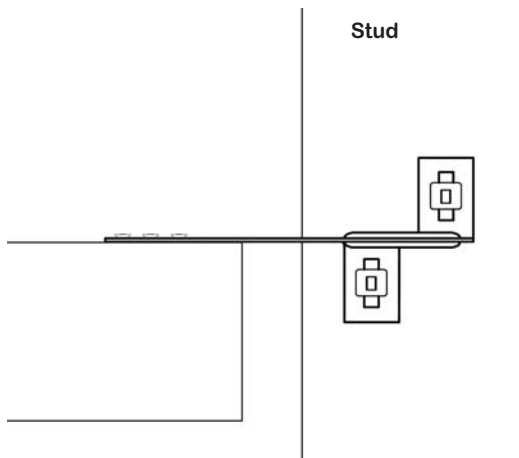
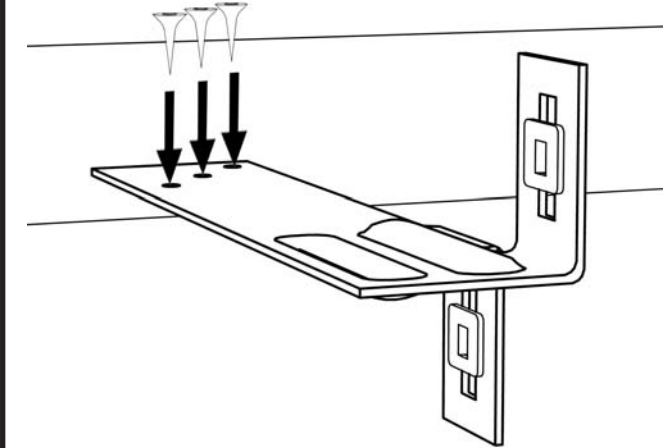


### VertiClip® SLT

Step Bushings are pre-installed. Do not remove unless otherwise indicated.



Refer to Design Drawings for Fastener type, size, and amount.



For Installation, Technical, or Submittal questions, contact TSN at (888) 474-4876.

Email us at [tsn@steelnetwork.com](mailto:tsn@steelnetwork.com).

Visit [www.steelnetwork.com](http://www.steelnetwork.com) and discover the value of each TSN Solution.