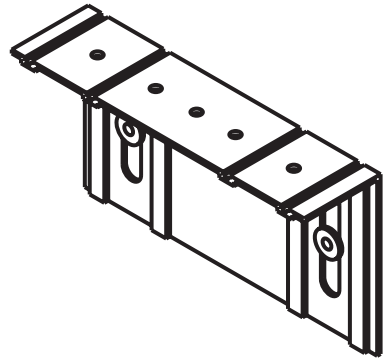


VertiClip® SL/SLD Installation Instructions

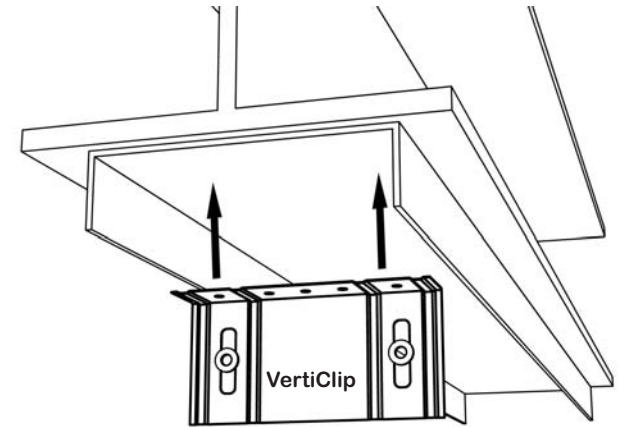
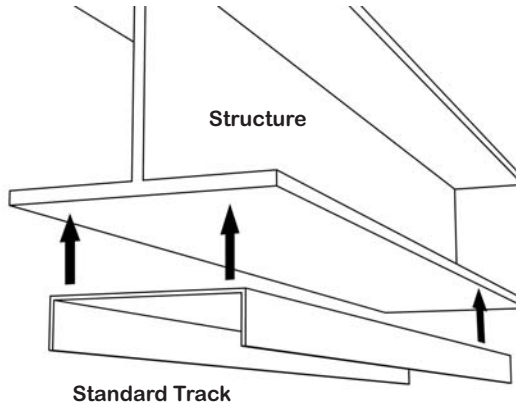
Vertical Deflection @ Head of Wall



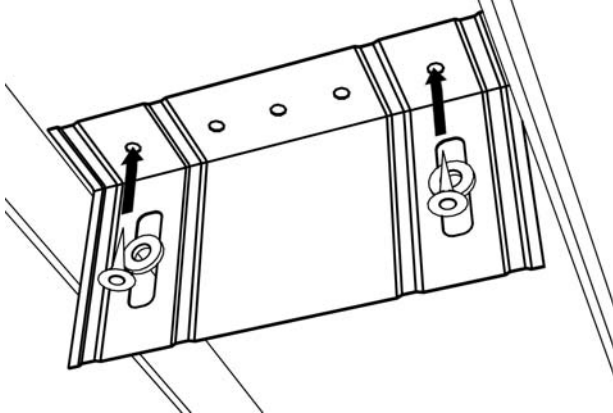
VertiClip® SL/SLD



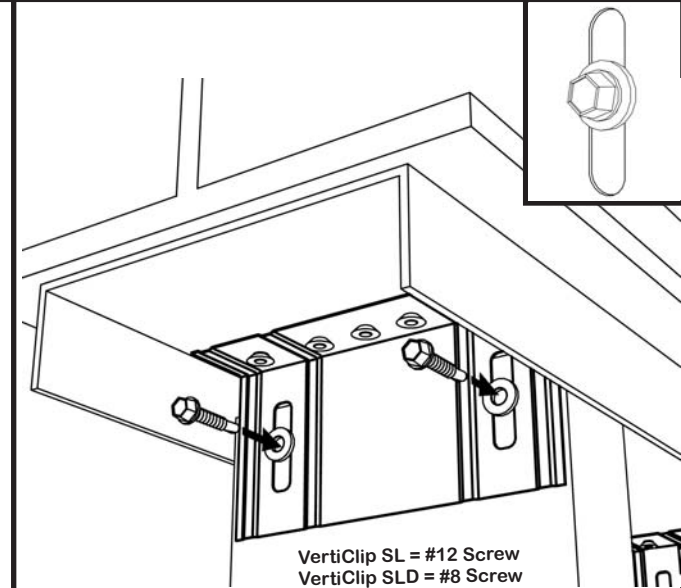
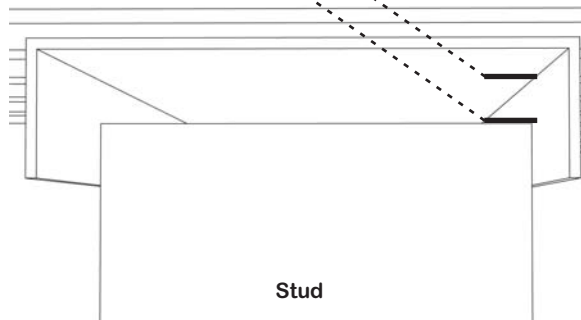
Standard Step Bushing
(Do not remove
from slots unless
otherwise directed)



Attachment to Structure per
Design Specifications



Deflection
Gap



VertiClip SL = #12 Screw
VertiClip SLD = #8 Screw