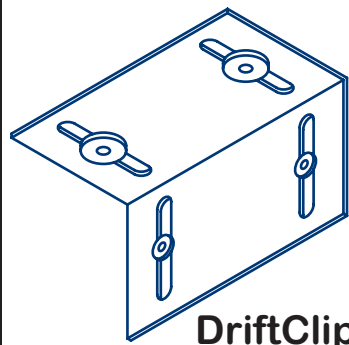


# DriftClip® DSL Installation Instructions

## Vertical Deflection & Drift @ Head of Wall



**DriftClip® DSL**

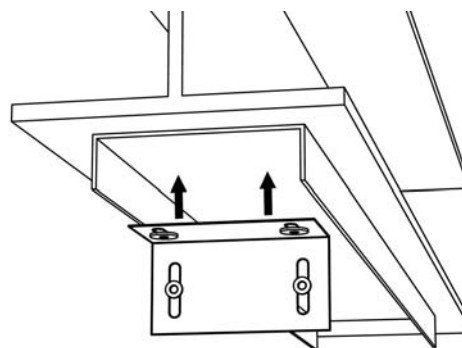
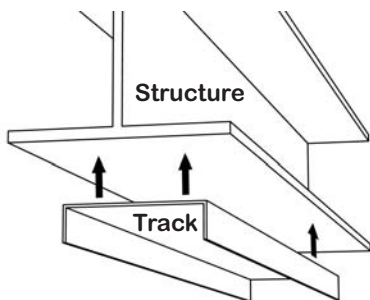


Large Step Bushing  
(Engineered for PAF  
to structure)

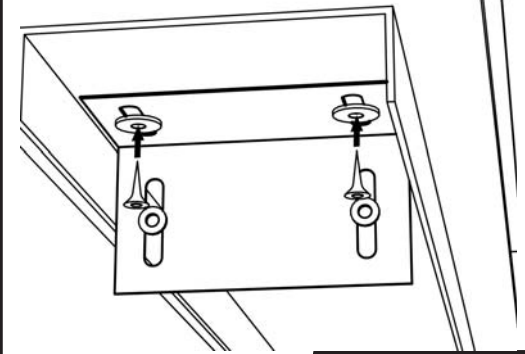


Standard Step Bushing  
(Engineered for #12  
screw to stud)

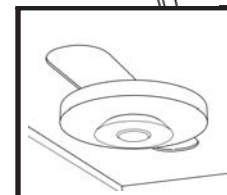
Do not remove step bushings  
unless otherwise directed



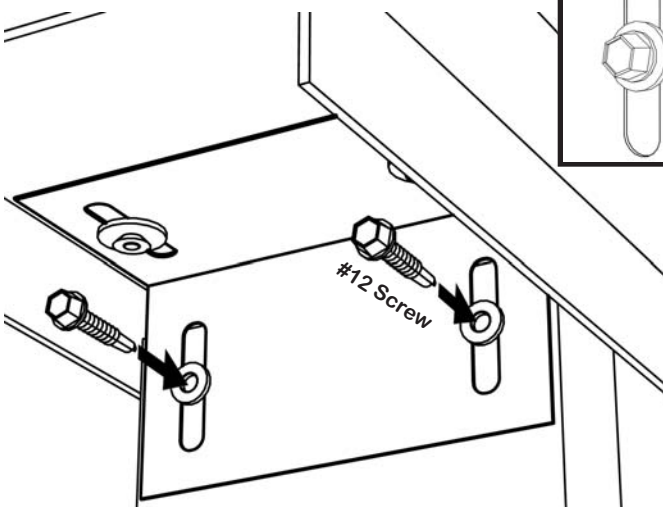
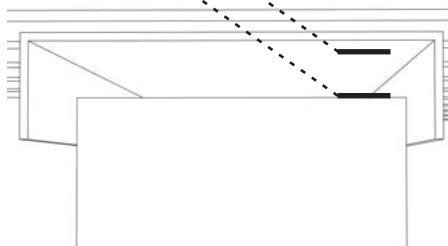
Attachment to Structure per  
Design Specifications



Fasteners should be  
installed through  
each step bushing.



Deflection  
Gap per Design  
Requirements



Fasteners should be installed through  
each step bushing.

For Installation, Technical, or  
Submittal questions, contact TSN  
at (888) 474-4876.

Email us at [tsn@steelnetwork.com](mailto:tsn@steelnetwork.com).

Visit [www.steelnetwork.com](http://www.steelnetwork.com)  
and discover the value of each  
TSN Solution.