



DETAILS

The definitive solution to detailing and installation problems. This product is a full line of standard metal components for use in the drywall, plaster and acoustical ceiling trades. Custom shapes and dimensions are also readily available.



DETAILS the definitive solution to detailing and installation/execution problems. A full line of standard metal components for the drywall and acoustical trade. All **DETAILS** components are available in standard lengths of 96", 120", 144" plus or minus 1/16". Custom shapes and sizes are also available. Factory prepared joints are recommended when installed lengths require butting of **DETAILS** components. Pre-mitered and assembled corners and intersections are also available. Please contact our nearest representative for further information.

DETAILS™

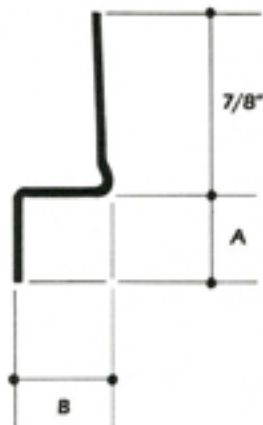
DSLRL SINGLE LEG REVEAL

Guide Specification

Single Leg Reveal shall be **DETAILS** DSLR as manufactured by MILGO/BUFKIN. The formed metal sections shall incorporate an integral offset, punched with staggered holes for screw attachment to conventionally installed gypsum drywall. To insure proper installation, screws must engage with the wood or metal stud sub-structure. Metal surfaces are to be supplied shop primed ready for finishing with a corrosion-inhibiting coating compatible with materials commonly used in interior construction. All joints are to be taped, floated and sanded smooth prior to final finishing. (It is recommended that self-adhesive fiberglass scrim tape be used.) MILGO/BUFKIN as manufacturer reserves the right to change and modify the design and manufacture of **DETAILS** components as part of its ongoing product improvement programs.

Physical Properties

Material.....	Aluminum/Steel
Fire Rating (NFPA No. 101).....	Class A
Flame Spread.....	0
Smoke Developed.....	0
Fuel Contributed.....	0
Finish.....	Paint Ready



Installation Detail

DETAILS Single Leg Reveal DSLR allows for the placement of a reveal adjacent to a fixed interior element in a wall. (I.e. kick base, door jambs and heads, window frames, directories) For use with conventional metal or wood studs and 1/2" or 5/8" gypsum drywall board construction. To insure proper installation, screws attaching **DETAILS** components must engage with the stud substructure.

For Ordering

Specify **DETAILS** components by item number below.

ITEM NUMBERS	A"	B"	ITEM NUMBERS	A"	B"
DSLRL 025/050	1/4	X 1/2	DSLRL 025/063	1/4	X 5/8
DSLRL 038/050	3/8	X 1/2	DSLRL 038/063	3/8	X 5/8
DSLRL 050/050	1/2	X 1/2	DSLRL 050/063	1/2	X 5/8
DSLRL 063/050	5/8	X 1/2	DSLRL 063/063	5/8	X 5/8
DSLRL 075/050	3/4	X 1/2	DSLRL 075/063	3/4	X 5/8
DSLRL 100/050	1	X 1/2	DSLRL 100/063	1	X 5/8
DSLRL 150/050	1 1/2	X 1/2	DSLRL 150/063	1 1/2	X 5/8
DSLRL 200/050	2	X 1/2	DSLRL 200/063	2	X 5/8

JOB SPECIFIC

For dimensions not included above please specify job requirements

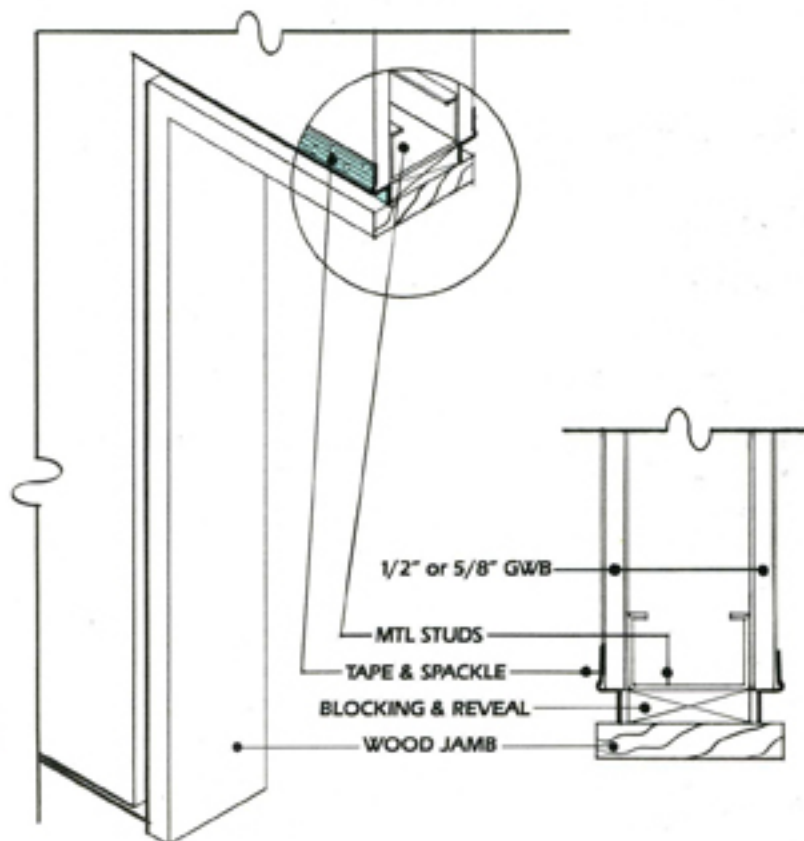
DSLRL A / B

As manufactured by:
MILGO/BUFKIN

68 Lombardy Street, Brooklyn, New York 11222
(718) 388-6476 Telefax (718) 963-0614

© 1987 Milgo Industrial Inc. Revised 1991

RT 1.0



DETAILS the definitive solution to detailing and installation/execution problems. A full line of standard metal components for the drywall and acoustical trade. All **DETAILS** components are available in standard lengths of 96", 120", 144" plus or minus 1/16". Custom shapes and sizes are also available. Factory prepared joints are recommended when installed lengths require butting of **DETAILS** components. Pre-mitered and assembled corners and intersections are also available. Please contact our nearest representative for further information.

DETAILS™

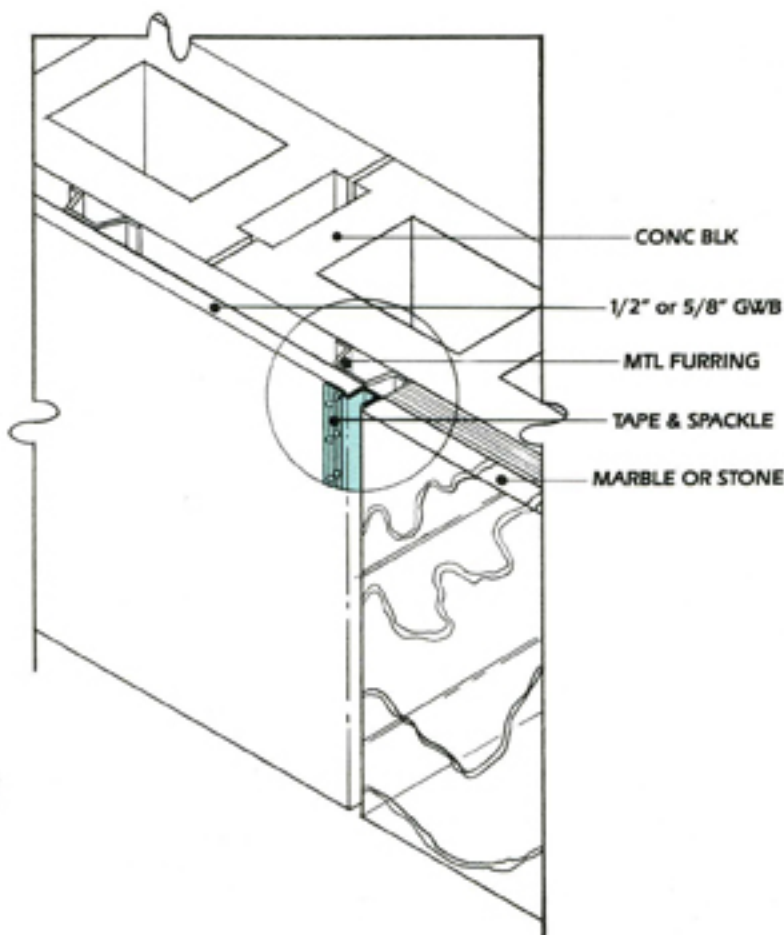
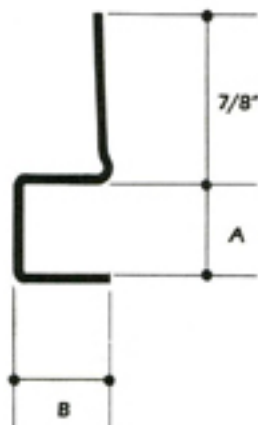
DSLCL SINGLE LEG CHANNEL

Guide Specification

Single Leg Channel shall be **DETAILS** DSLC as manufactured by MILGO/BUFKIN. The formed metal sections shall incorporate an integral offset, punched with staggered holes for screw attachment to conventionally installed gypsum drywall. To insure proper installation, screws must engage with the wood or metal stud sub-structure. Metal surfaces are to be supplied shop primed ready for finishing with a corrosion-inhibiting coating compatible with materials commonly used in interior construction. All joints are to be taped, floated and sanded smooth prior to final finishing. (It is recommended that self-adhesive fiberglass scrim tape be used.) MILGO/BUFKIN as manufacturer reserves the right to change and modify the design and manufacture of **DETAILS** components as part of its ongoing product improvement programs.

Physical Properties

Material.....	Aluminum/Steel
Fire Rating (NFPA No. 101).....	Class A
Flame Spread.....	0
Smoke Developed.....	0
Fuel Contributed.....	0
Finish.....	Paint Ready



Installation Detail

DETAILS Single Leg Channel DSLC allows for the insertion of a horizontal or vertical reveal in a gypsum board wall at the transition point of dissimilar materials (drywall to stone, drywall to ceramic tile). An accessory slip-in channel can be provided in Stainless Steel or Brass to act as a feature strip. For use with conventional metal or wood studs and 1/2" or 5/8" gypsum drywall board construction. To insure proper installation, screws attaching **DETAILS** components must engage with the stud substructure.

For Ordering

Specify **DETAILS** components by item number below.

ITEM NUMBERS	A"	X	B"
DSLCL 050/050	1/2	X	1/2
DSLCL 063/050	5/8	X	1/2
DSLCL 075/050	3/4	X	1/2
DSLCL 100/050	1	X	1/2
DSLCL 050/063	1/2	X	5/8
DSLCL 063/063	5/8	X	5/8
DSLCL 075/063	3/4	X	5/8
DSLCL 100/063	1	X	5/8

JOB SPECIFIC

For dimensions not included above please specify job requirements

DSLCL A / B

As manufactured by:

MILGO/BUFKIN

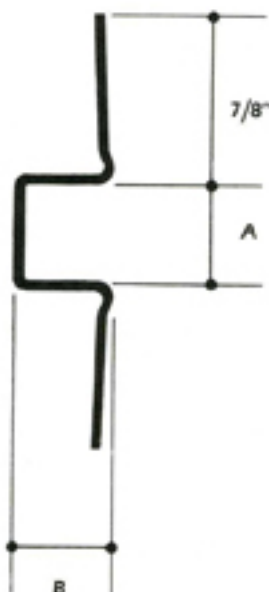
68 Lombardy Street, Brooklyn, New York 11222
(718) 388-6476 Telefax (718) 963-0614

© 1987 Milgo Industrial Inc. Revised 1991

RT 2.0

DETAILS the definitive solution to detailing and installation/execution problems. A full line of standard metal components for the drywall and acoustical trade. All **DETAILS** components are available in standard lengths of 96", 120", 144" plus or minus 1/16". Custom shapes and sizes are also available. Factory prepared joints are recommended when installed lengths require butting of **DETAILS** components. Pre-mitered and assembled corners and intersections are also available. Please contact our nearest representative for further information.

DETAILS™



DDL

DOUBLE LEG REVEAL

Guide Specification

Double Leg Reveal shall be **DETAILS** DDLR as manufactured by MILGO/BUFKIN. The formed metal sections shall incorporate an integral offset, punched with staggered holes for screw attachment to conventionally installed gypsum drywall. To insure proper installation, screws must engage with the wood or metal stud sub-structure. Metal surfaces are to be supplied shop primed ready for finishing with a corrosion-inhibiting coating compatible with materials commonly used in interior construction. All joints are to be taped, floated and sanded smooth prior to final finishing. (It is recommended that self-adhesive fiberglass scrim tape be used.) MILGO/BUFKIN as manufacturer reserves the right to change and modify the design and manufacture of **DETAILS** components as part of its ongoing product improvement programs.

Physical Properties

Material.....	Aluminum/Steel
Fire Rating (NFPA No. 101).....	Class A
Flame Spread.....	0
Smoke Developed.....	0
Fuel Contributed.....	0
Finish.....	Paint Ready

Installation Detail

DETAILS Double Leg Reveal DDLR allows for the placement of horizontal or vertical reveals in a field of drywall. For use with conventional metal or wood studs and 1/2" or 5/8" gypsum drywall board construction. To insure proper installation, screws attaching **DETAILS** components must engage with the stud substructure.

For Ordering

Specify **DETAILS** components by item number below.

ITEM NUMBERS	A"	B"	ITEM NUMBERS	A"	B"
DDLR 012/050	1/8	X 1/2	DDLR 012/063	1/8	X 5/8
DDLR 025/050	1/4	X 1/2	DDLR 025/063	1/4	X 5/8
DDLR 038/050	3/8	X 1/2	DDLR 038/063	3/8	X 5/8
DDLR 050/050	1/2	X 1/2	DDLR 050/063	1/2	X 5/8
DDLR 063/050	5/8	X 1/2	DDLR 063/063	5/8	X 5/8
DDLR 075/050	3/4	X 1/2	DDLR 075/063	3/4	X 5/8
DDLR 100/050	1	X 1/2	DDLR 100/063	1	X 5/8
DDLR 150/050	1 1/2	X 1/2	DDLR 150/063	1 1/2	X 5/8
DDLR 200/050	2	X 1/2	DDLR 200/063	2	X 5/8

JOB SPECIFIC

For dimensions not included above please specify job requirements

DDLR A / B

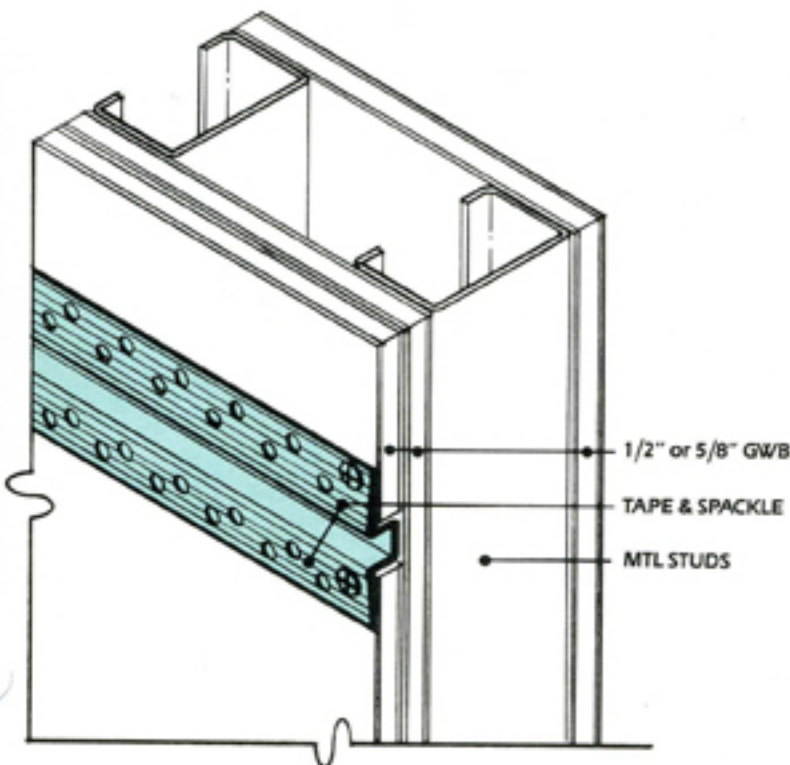
As manufactured by:

MILGO/BUFKIN

68 Lombardy Street, Brooklyn, New York 11222
(718) 388-6476 Telefax (718) 963-0614

© 1987 Milgo Industrial Inc. Revised 1991

RT 3.0



DETAILS the definitive solution to detailing and installation/execution problems. A full line of standard metal components for the drywall and acoustical trade. All **DETAILS** components are available in standard lengths of 96", 120", 144" plus or minus 1/16". Custom shapes and sizes are also available. Factory prepared joints are recommended when installed lengths require butting of **DETAILS** components. Pre-mitered and assembled corners and intersections are also available. Please contact our nearest representative for further information.

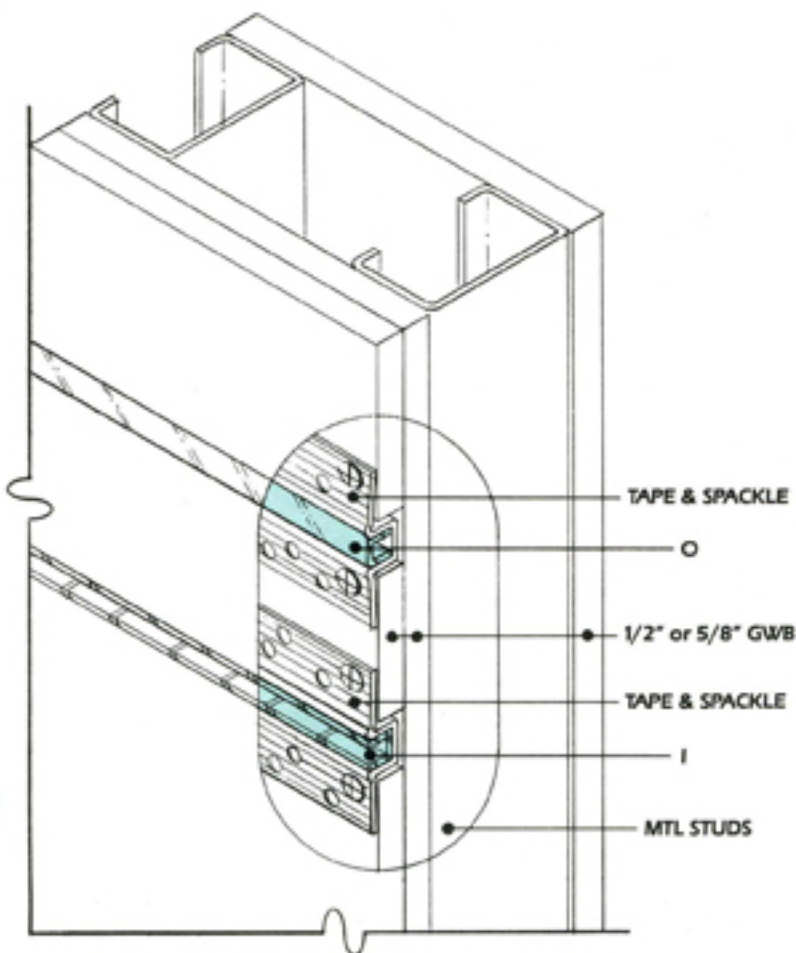
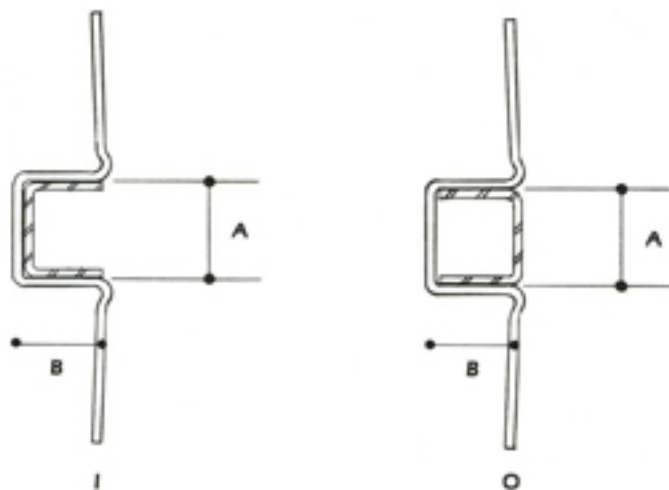
DETAILS™

DMCI

METAL CHANNEL INSERTS

Guide Specification

Metal Channel Inserts shall be **DETAILS** DMCI as manufactured by MILGO/BUFKIN. The formed metal sections shall coordinate with **DETAILS** reveals. Physical properties vary with the material and finish as specified by customer. MILGO/BUFKIN as manufacturer reserves the right to change and modify the design and manufacture of **DETAILS** components as part of its ongoing product improvement programs.



Installation Detail

DETAILS Metal Channel Inserts DMCI allow for the addition of a complementing or contrasting metal element into a wall or ceiling reveal. Available either as a flush insert or an insert reveal, Metal Channel Inserts are available in a variety of finishes (i.e. mirror and satin polished stainless steel and brass, paint-colored finishes). For use with all standard and custom **DETAILS** reveals.

For Ordering

Specify **DETAILS** components by item number below.

ITEM NUMBERS

DMCI-I A / B (MATERIAL)

DMCI-O A / B (MATERIAL)

MATERIALS: MPSS - Mirror Stainless Steel
 SSS - Satin Stainless Steel
 MPBZ - Mirror Brass
 SBZ - Satin Brass
 Others - Consult Factory for Availability

*Please provide Item Number and Material
 EXAMPLE: DMCI-I 050/050 SSS
 Metal Channel Insert 1/2 X 1/2 Satin Stainless Steel

As manufactured by:
MILGO/BUFKIN

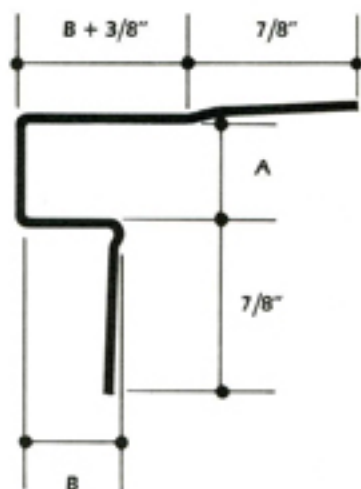
68 Lombardy Street, Brooklyn, New York 11222
 (718) 388-6476 Telefax (718) 963-0614

© 1987 Milgo Industrial Inc. Revised 1991

RT 3.1

DETAILS the definitive solution to detailing and installation/execution problems. A full line of standard metal components for the drywall and acoustical trade. All **DETAILS** components are available in standard lengths of 96", 120", 144" plus or minus 1/16". Custom shapes and sizes are also available. Factory prepared joints are recommended when installed lengths require butting of **DETAILS** components. Pre-mitered and assembled corners and intersections are also available. Please contact our nearest representative for further information.

DETAILS™



DDLCR

DOUBLE LEG CORNER REVEAL

Guide Specification

Double Leg Corner Reveal shall be **DETAILS** DDLCR as manufactured by MILGO/BUFKIN. The formed metal sections shall incorporate an integral offset, punched with staggered holes for screw attachment to conventionally installed gypsum drywall. To insure proper installation, screws must engage with the wood or metal stud sub-structure. Metal surfaces are to be supplied shop primed ready for finishing with a corrosion-inhibiting coating compatible with materials commonly used in interior construction. All joints are to be taped, floated and sanded smooth prior to final finishing. [It is recommended that self-adhesive fiberglass scrim tape be used.] MILGO/BUFKIN as manufacturer reserves the right to change and modify the design and manufacture of **DETAILS** components as part of its ongoing product improvement programs.

Physical Properties

Material.....	Aluminum/Steel
Fire Rating (NFPA No. 101).....	Class A
Flame Spread.....	0
Smoke Developed.....	0
Fuel Contributed.....	0
Finish.....	Paint Ready

Installation Detail

DETAILS Double Leg Corner Reveal DDLCR allows for the placement of a horizontal reveal at the juncture of wall and ceiling and of a vertical reveal at the juncture of adjacent walls. For use with conventional metal or wood studs and 1/2" or 5/8" gypsum drywall board construction. To insure proper installation, screws attaching **DETAILS** components must engage with the stud substructure.

For Ordering

Specify **DETAILS** components by item number below.

ITEM NUMBERS	A"	B"
DDLCR 050/050	1/2 X	1/2
DDLCR 063/050	5/8 X	1/2
DDLCR 075/050	3/4 X	1/2
DDLCR 100/050	1 X	1/2
DDLCR 050/063	1/2 X	5/8
DDLCR 063/063	5/8 X	5/8
DDLCR 075/063	3/4 X	5/8
DDLCR 100/063	1 X	5/8

JOB SPECIFIC

For dimensions not included above please specify job requirements

DDLCR A / B

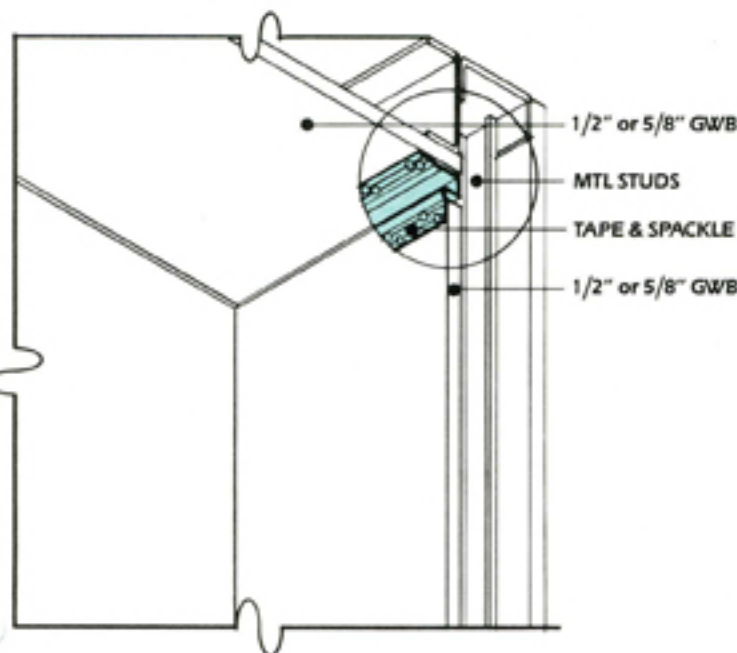
As manufactured by

MILGO/BUFKIN

68 Lombardy Street, Brooklyn, New York 11222
(718) 388-6476 Telefax (718) 963-0614

© 1991 Milgo Industrial Inc.

RT 3.2



DETAILS the definitive solution to detailing and installation/execution problems. A full line of standard metal components for the drywall and acoustical trade. All **DETAILS** components are available in standard lengths of 96", 120", 144" plus or minus 1/16". Custom shapes and sizes are also available. Factory prepared joints are recommended when installed lengths require butting of **DETAILS** components. Pre-mitered and assembled corners and intersections are also available. Please contact our nearest representative for further information.

DETAILS™

DDL-R-V

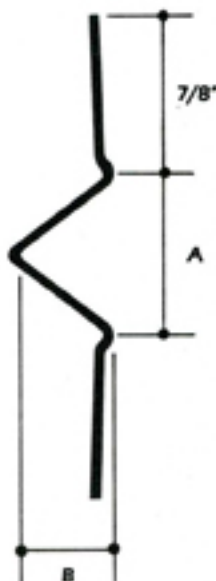
DOUBLE LEG REVEAL-V

Guide Specification

Double Leg Reveal-V shall be **DETAILS** DDL-R-V as manufactured by MILGO/BUFKIN. The formed metal sections shall incorporate an integral offset, punched with staggered holes for screw attachment to conventionally installed gypsum drywall. To insure proper installation, screws must engage with the wood or metal stud sub-structure. Metal surfaces are to be supplied shop primed ready for finishing with a corrosion-inhibiting coating compatible with materials commonly used in interior construction. All joints are to be taped, floated and sanded smooth prior to final finishing. (It is recommended that self-adhesive fiberglass scrim tape be used.) MILGO/BUFKIN as manufacturer reserves the right to change and modify the design and manufacture of **DETAILS** components as part of its ongoing product improvement programs.

Physical Properties

Material.....	Aluminum/Steel
Fire Rating (NFPA No. 101).....	Class A
Flame Spread.....	0
Smoke Developed.....	0
Fuel Contributed.....	0
Finish.....	Paint Ready



Installation Detail

DETAILS Double Leg Reveal V-Groove DDL-R-V allows for the placement of horizontal or vertical V-Groove reveals in a field of drywall. For use with conventional metal or wood studs and 1/2" or 5/8" gypsum drywall board construction. To insure proper installation, screws attaching **DETAILS** components must engage with the stud substructure.

For Ordering

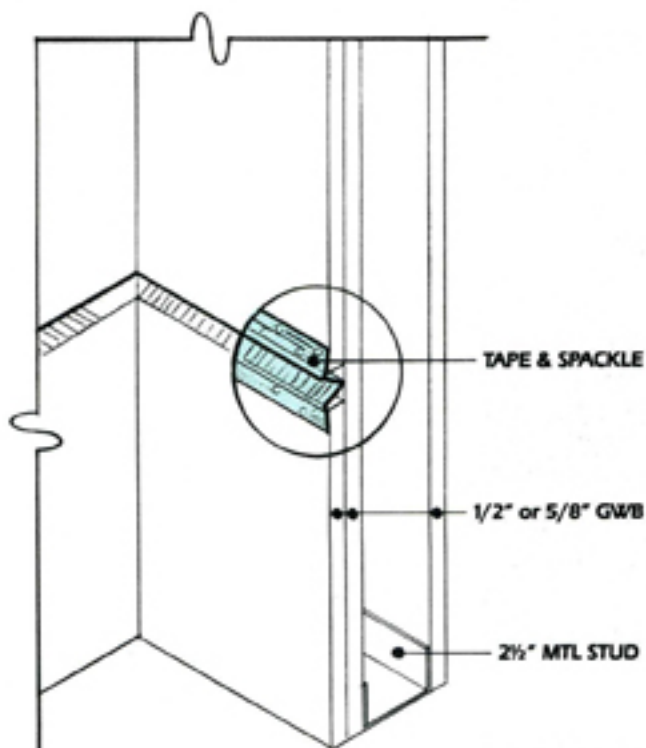
Specify **DETAILS** components by item number below.

ITEM NUMBERS	A"	B"
DDL-R-V 038/050	3/8 X	1/2
DDL-R-V 075/050	3/4 X	1/2
DDL-R-V 100/050	1 X	1/2

JOB SPECIFIC

For dimensions not included above please specify job requirements

DDL-R-V A / B



As manufactured by
MILGO/BUFKIN

68 Lombardy Street, Brooklyn, New York 11222
(718) 388-6476 Telefax (718) 963-0614

© 1987 Milgo Industrial Inc. Revised 1991

RT 4.0

DETAILS the definitive solution to detailing and installation/execution problems. A full line of standard metal components for the drywall and acoustical trade. All **DETAILS** components are available in standard lengths of 96", 120", 144" plus or minus 1/16". Custom shapes and sizes are also available. Factory prepared joints are recommended when installed lengths require butting of **DETAILS** components. Pre-mitered and assembled corners and intersections are also available. Please contact our nearest representative for further information.

DETAILS™

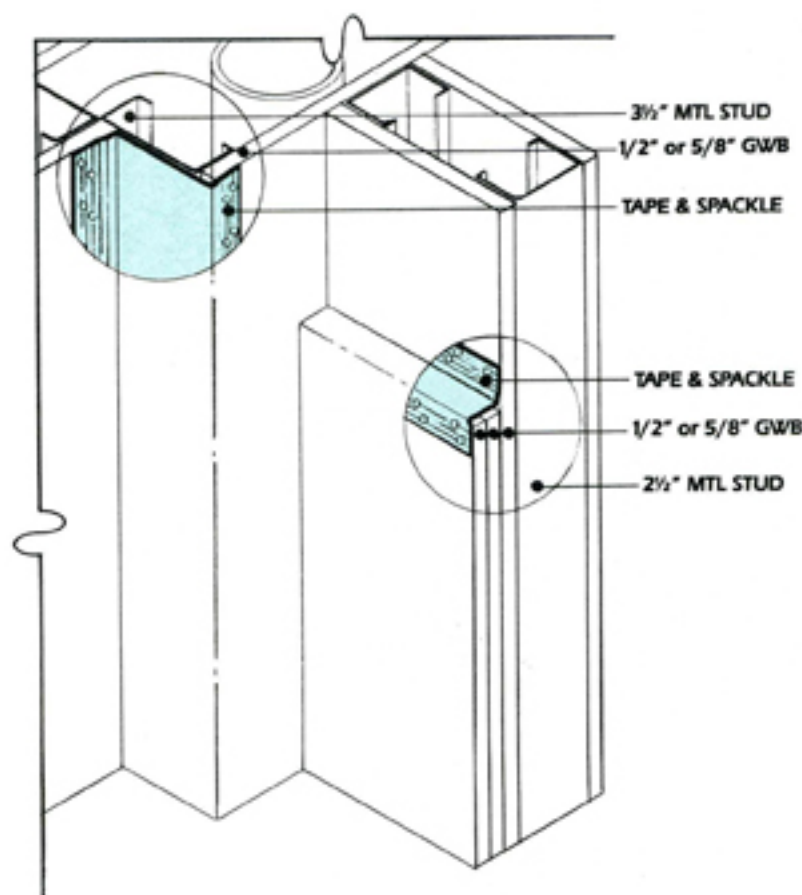
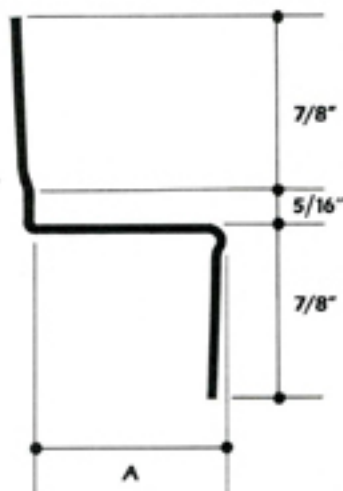
DDL S DOUBLE LEG STEP

Guide Specification

Double Leg Step shall be **DETAILS** DDL S as manufactured by MILGO/BUFKIN. The formed metal sections shall incorporate an integral offset, punched with staggered holes for screw attachment to conventionally installed gypsum drywall. To insure proper installation, screws must engage with the wood or metal stud sub-structure. Metal surfaces are to be supplied shop primed ready for finishing with a corrosion-inhibiting coating compatible with materials commonly used in interior construction. All joints are to be taped, floated and sanded smooth prior to final finishing. (It is recommended that self-adhesive fiberglass scrim tape be used.) MILGO/BUFKIN as manufacturer reserves the right to change and modify the design and manufacture of **DETAILS** components as part of its ongoing product improvement programs.

Physical Properties

Material.....	Aluminum/Steel
Fire Rating (NFPA No. 101).....	Class A
Flame Spread.....	0
Smoke Developed.....	0
Fuel Contributed.....	0
Finish.....	Paint Ready



Installation Detail

DETAILS Double Leg Step DDL S mouldings are used in either vertical or horizontal applications to produce a change in plane on a ceiling or wall surface. For use with conventional metal or wood studs and 1/2" or 5/8" gypsum drywall board construction. To insure proper installation, screws attaching **DETAILS** components must engage with the stud substructure.

For Ordering

Specify **DETAILS** components by item number below.

ITEM NUMBERS	A"
DDL S 050	1/2
DDL S 063	5/8
DDL S 112	1 1/8
DDL S 125	1 1/4
DDL S 150	1 1/2
DDL S 187	1 3/4
DDL S 200	2
DDL S 250	2 1/2
DDL S 300	3

JOB SPECIFIC

For dimensions not included above please specify job requirements

DDL S A

As manufactured by:
MILGO/BUFKIN

68 Lombardy Street, Brooklyn, New York 11222
(718) 388-6476 Telefax (718) 963-0614

© 1987 Milgo Industrial Inc. Revised 1991

DETAILS the definitive solution to detailing and installation/execution problems. A full line of standard metal components for the drywall and acoustical trade. All **DETAILS** components are available in standard lengths of 96", 120", 144" plus or minus 1/16". Custom shapes and sizes are also available. Factory prepared joints are recommended when installed lengths require butting of **DETAILS** components. Pre-mitered and assembled corners and intersections are also available. Please contact our nearest representative for further information.

DETAILS™

DDL5

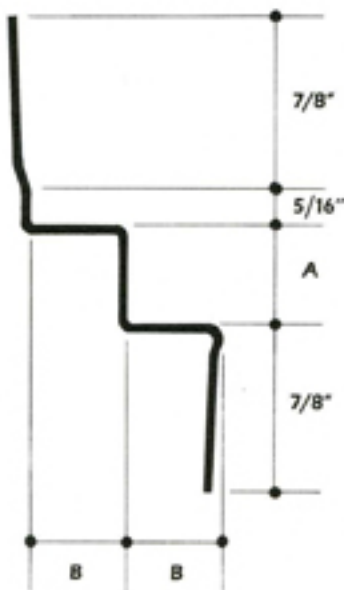
DOUBLE LEG STEP x 2

Guide Specification

Double Leg Step x2 shall be **DETAILS** DDL5x2 as manufactured by MILGO/BUFKIN. The formed metal sections shall incorporate an integral offset, punched with staggered holes for screw attachment to conventionally installed gypsum drywall. To insure proper installation, screws must engage with the wood or metal stud sub-structure. Metal surfaces are to be supplied shop primed ready for finishing with a corrosion-inhibiting coating compatible with materials commonly used in interior construction. All joints are to be taped, floated and sanded smooth prior to final finishing. (It is recommended that self-adhesive fiberglass scrim tape be used.) MILGO/BUFKIN as manufacturer reserves the right to change and modify the design and manufacture of **DETAILS** components as part of its ongoing product improvement programs.

Physical Properties

Material..... Aluminum/Steel
 Fire Rating (NFPA No. 101)..... Class A
 Flame Spread..... 0
 Smoke Developed..... 0
 Fuel Contributed..... 0
 Finish..... Paint Ready



Installation Detail

DETAILS Double Leg Step x2 DDL5x2 mouldings are used in vertical or horizontal applications to produce multiple thickness changes in wall or ceiling surfaces. For use with conventional metal or wood studs and 1/2" or 5/8" (please specify) gypsum drywall board construction. To insure proper installation, screws attaching **DETAILS** components must engage with the stud substructure.

For Ordering

Specify **DETAILS** components by item number below.

ITEM NUMBERS	A"	B"
DDL5 050/050 x2	1/2 X	1/2
DDL5 050/063 x2	1/2 X	5/8
DDL5 063/063 x2	5/8 X	5/8

JOB SPECIFIC

For dimensions not included above please specify job requirements

DDL5 A / B x2

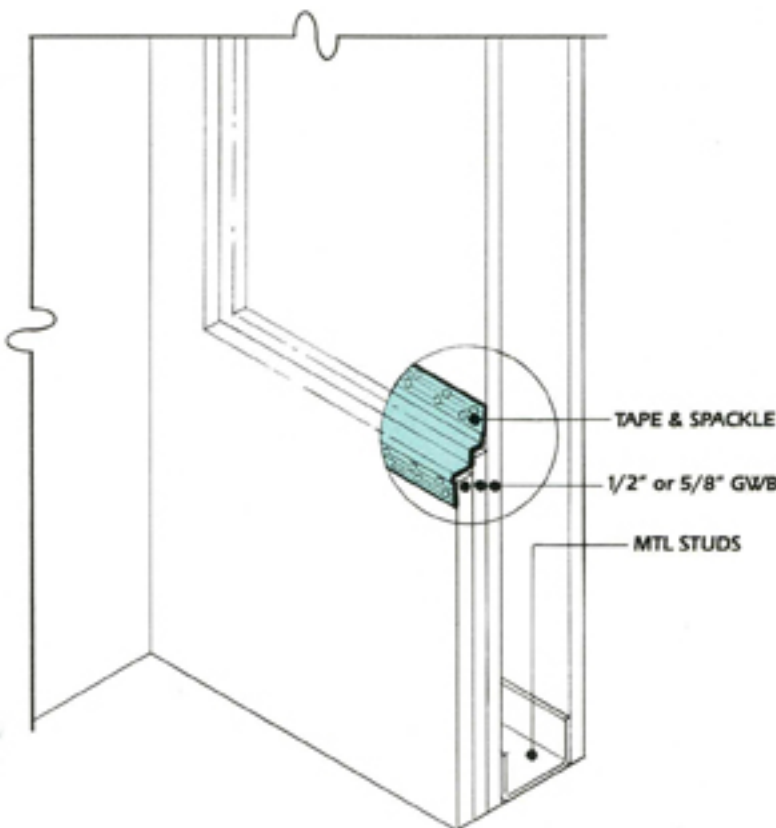
As manufactured by:

MILGO/BUFKIN

68 Lombardy Street, Brooklyn, New York 11222
 (718) 388-6476 Telefax (718) 963-0614

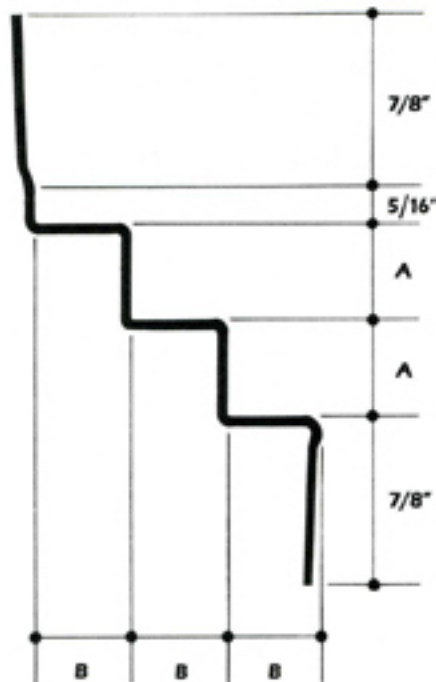
© 1987 Milgo Industrial Inc. Revised 1991

RT 6.0



DETAILS the definitive solution to detailing and installation/execution problems. A full line of standard metal components for the drywall and acoustical trade. All **DETAILS** components are available in standard lengths of 96", 120", 144" plus or minus 1/32". Custom shapes and sizes are also available. Factory prepared joints are recommended when installed lengths require butting of **DETAILS** components. Pre-mitered and assembled corners and intersections are also available. Please contact our nearest representative for further information.

DETAILS™



DDLs DOUBLE LEG STEP x3

Guide Specification

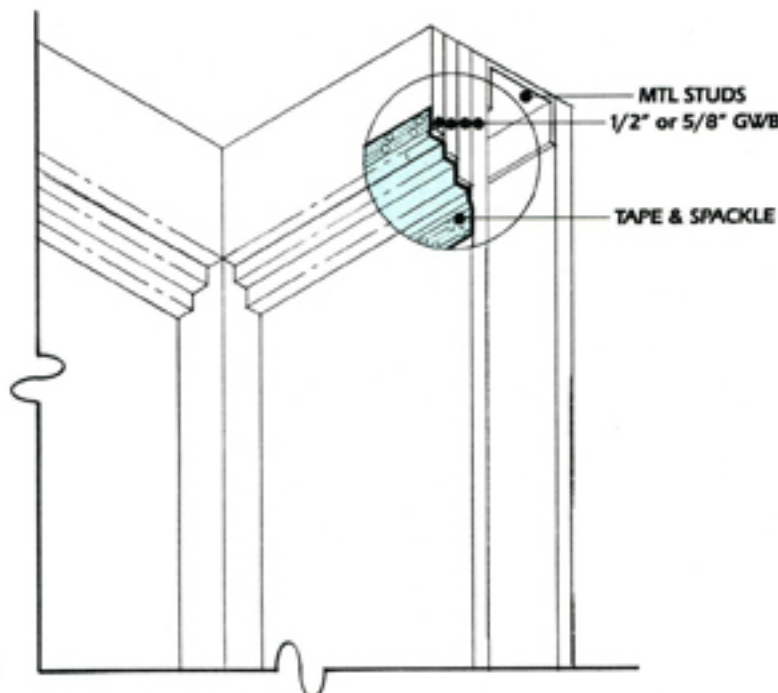
Double Leg Step x3 shall be **DETAILS** DDLs x3 as manufactured by MILGO/BUFKIN. The formed metal sections shall incorporate an integral offset, punched with staggered holes for screw attachment to conventionally installed gypsum drywall. To insure proper installation, screws must engage with the wood or metal stud sub-structure. Metal surfaces are to be supplied shop primed ready for finishing with a corrosion-inhibiting coating compatible with materials commonly used in interior construction. All joints are to be taped, floated and sanded smooth prior to final finishing. (It is recommended that self-adhesive fiberglass scrim tape be used.) MILGO/BUFKIN as manufacturer reserves the right to change and modify the design and manufacture of **DETAILS** components as part of its ongoing product improvement programs.

Physical Properties

Material.....	Aluminum/Steel
Fire Rating (NFPA No. 101).....	Class A
Flame Spread.....	0
Smoke Developed.....	0
Fuel Contributed.....	0
Finish.....	Paint Ready

Installation Detail

DETAILS Double Leg Step x3 DDLs x3 mouldings are used in vertical or horizontal applications to produce multiple thickness changes in wall or ceiling surfaces. For use with conventional metal or wood studs and 1/2" or 5/8" (please specify) gypsum drywall board construction. To insure proper installation, screws attaching **DETAILS** components must engage with the stud substructure.



For Ordering

Specify **DETAILS** components by item number below.

ITEM NUMBERS	A"	B"
DDLs 050/050 x3	1/2 X	1/2
DDLs 050/063 x3	1/2 X	5/8
DDLs 063/063 x3	5/8 X	5/8

JOB SPECIFIC

For dimensions not included above please specify job requirements

DDLs A / B x3

As manufactured by:

MILGO/BUFKIN

68 Lombardy Street, Brooklyn, New York 11222
(718) 388-6476 Telefax (718) 963-0614

© 1987 Milgo Industrial Inc. Revised 1991

RT 7.0

DETAILS the definitive solution to detailing and installation/execution problems. A full line of standard metal components for the drywall and acoustical trade. All **DETAILS** components are available in standard lengths of 96", 120", 144" plus or minus 1/16". Custom shapes and sizes are also available. Factory prepared joints are recommended when installed lengths require butting of **DETAILS** components. Pre-mitered and assembled corners and intersections are also available. Please contact our nearest representative for further information.

DETAILS™

DDL5

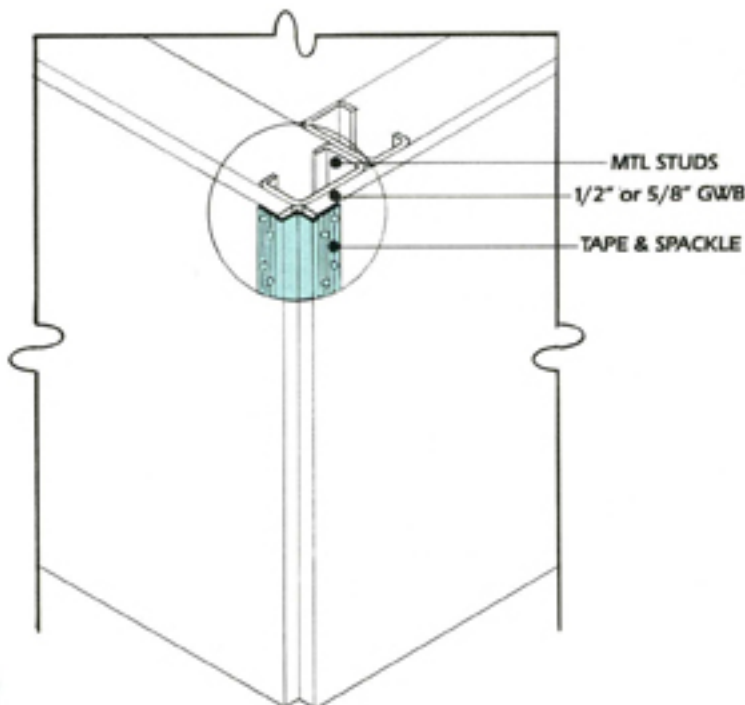
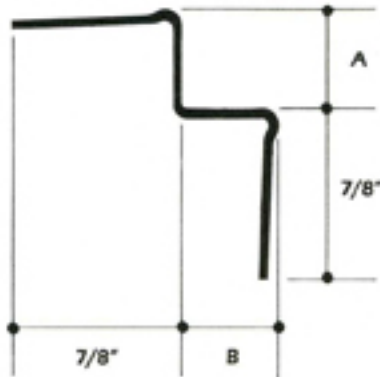
DOUBLE LEG STEP REVERSE

Guide Specification

Double Leg Step - Reverse shall be **DETAILS** DDL5-R as manufactured and supplied by MILGO/BUFKIN. The formed metal sections shall incorporate an integral offset, punched with staggered holes for screw attachment to conventionally installed gypsum drywall. To insure proper installation, screws must engage with the wood or metal stud sub-structure. Metal surfaces are to be supplied shop primed ready for finishing with a corrosion-inhibiting coating compatible with materials commonly used in interior construction. All joints are to be taped, floated and sanded smooth prior to final finishing. (It is recommended that self-adhesive fiberglass scrim tape be used.) MILGO/BUFKIN as manufacturer reserves the right to change and modify the design and manufacture of **DETAILS** components as part of its ongoing product improvement programs.

Physical Properties

Material..... Aluminum/Steel
 Fire Rating (NFPA No. 101)..... Class A
 Flame Spread..... 0
 Smoke Developed..... 0
 Fuel Contributed..... 0
 Finish..... Paint Ready



Installation Detail

DETAILS Double Leg Step-Reverse DDL5-R are used in vertical or horizontal applications to provide a stepped corner detail at two intersecting drywall planes. For use with conventional metal or wood studs and 1/2" or 5/8" (please specify) gypsum drywall board construction. To insure proper installation, screws attaching **DETAILS** components must engage with the stud substructure.

For Ordering

Specify **DETAILS** components by item number below.

ITEM NUMBERS	A"	B"
DDL5 050/050R	1/2 X	1/2
DDL5 063/063R	5/8 X	5/8
DDL5 112/112R	1 1/4 X	1 1/4
DDL5 125/125R	1 1/4 X	1 1/4
DDL5 150/150R	1 1/2 X	1 1/2
DDL5 187/187R	1 3/4 X	1 3/4
DDL5 200/200R	2 X	2
DDL5 250/250R	2 1/2 X	2 1/2
DDL5 300/300R	3 X	3

JOB SPECIFIC

For dimensions not included above please specify job requirements

DDL5 A / B R

As manufactured by:

MILGO/BUFKIN

68 Lombardy Street, Brooklyn, New York 11222
 (718) 388-6476 Telefax (718) 963-0614

© 1987 Milgo Industrial Inc. Revised 1991

RT 8.0

DETAILS the definitive solution to detailing and installation/execution problems. A full line of standard metal components for the drywall and acoustical trade. All **DETAILS** components are available in standard lengths of 96", 120", 144" plus or minus 1/16". Custom shapes and sizes are also available. Factory prepared joints are recommended when installed lengths require butting of **DETAILS** components. Pre-mitered and assembled corners and intersections are also available. Please contact our nearest representative for further information.

DETAILS™

DDL5

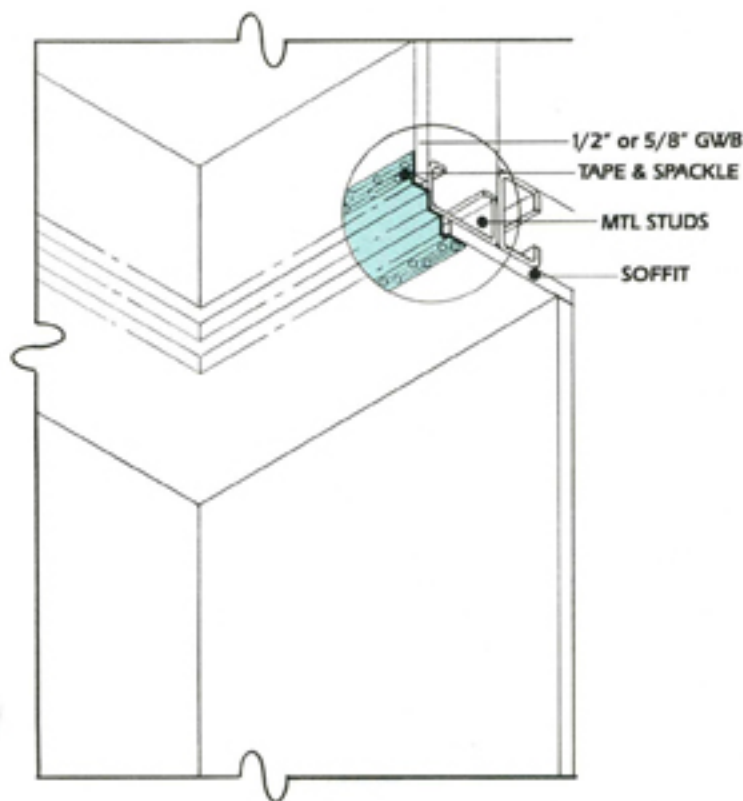
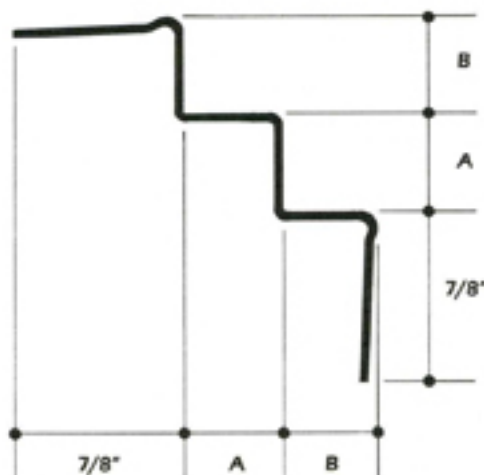
DOUBLE LEG STEP REVERSE x 3

Guide Specification

Double Leg Step-Reverse x3 shall be **DETAILS** DDL5-Rx3 as manufactured by MILGO/BUFKIN. The formed metal sections shall incorporate an integral offset, punched with staggered holes for screw attachment to conventionally installed gypsum drywall. To insure proper installation, screws must engage with the wood or metal stud sub-structure. Metal surfaces are to be supplied shop primed ready for finishing with a corrosion-inhibiting coating compatible with materials commonly used in interior construction. All joints are to be taped, floated and sanded smooth prior to final finishing. (It is recommended that self-adhesive fiberglass scrim tape be used.) MILGO/BUFKIN as manufacturer reserves the right to change and modify the design and manufacture of **DETAILS** components as part of its ongoing product improvement programs.

Physical Properties

Material.....	Aluminum/Steel
Fire Rating (NFPA No. 101).....	Class A
Flame Spread.....	0
Smoke Developed.....	0
Fuel Contributed.....	0
Finish.....	Paint Ready



Installation Detail

DETAILS Double Leg Step-Reverse x3 DDL5-Rx3 are used in vertical or horizontal applications to provide a multi-stepped corner detail at two intersecting drywall planes. For use with conventional metal or wood studs and 1/2" or 5/8" (please specify) gypsum drywall board construction. To insure proper installation, screws attaching **DETAILS** components must engage with the stud substructure.

For Ordering

Specify **DETAILS** components by item number below.

ITEM NUMBERS	A*	B*
DDL5 050/050 Rx3	1/2 X	1/2
DDL5 050/063 Rx3	1/2 X	5/8
DDL5 063/063 Rx3	5/8 X	5/8

JOB SPECIFIC

For dimensions not included above please specify job requirements

DDL5 A / B Rx3

As manufactured by:

MILGO/BUFKIN

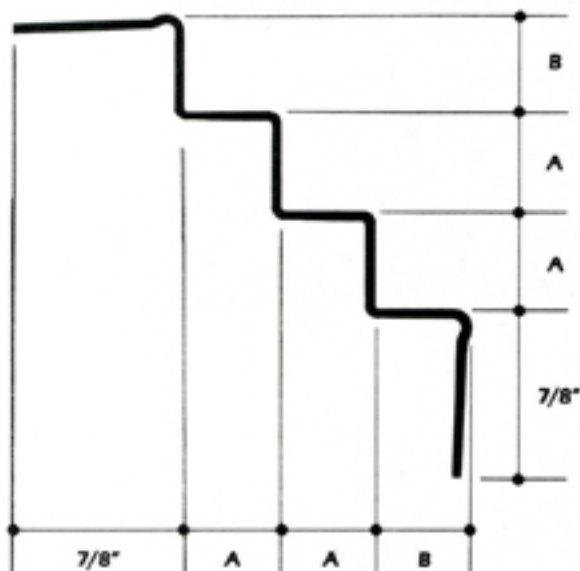
68 Lombardy Street, Brooklyn, New York 11222
 (718) 388-6476 Telefax (718) 963-0614

© 1987 Milgo Industrial Inc. Revised 1991

RT 9.0

DETAILS the definitive solution to detailing and installation/execution problems. A full line of standard metal components for the drywall and acoustical trade. All **DETAILS** components are available in standard lengths of 96", 120", 144" plus or minus 1/16". Custom shapes and sizes are also available. Factory prepared joints are recommended when installed lengths require butting of **DETAILS** components. Pre-mitered and assembled corners and intersections are also available. Please contact our nearest representative for further information.

DETAILS™



DDLS

DOUBLE LEG STEP REVERSE x 4

Guide Specification

Double Leg Step-Reverse x4 shall be **DETAILS** DDLS-Rx4 as manufactured by MILGO/BUFKIN. The formed metal sections shall incorporate an integral offset, punched with staggered holes for screw attachment to conventionally installed gypsum drywall. To insure proper installation, screws must engage with the wood or metal stud sub-structure. Metal surfaces are to be supplied shop primed ready for finishing with a corrosion-inhibiting coating compatible with materials commonly used in interior construction. All joints are to be taped, floated and sanded smooth prior to final finishing. (It is recommended that self-adhesive fiberglass scrim tape be used.) MILGO/BUFKIN as manufacturer reserves the right to change and modify the design and manufacture of **DETAILS** components as part of its ongoing product improvement programs.

Physical Properties

Material.....	Aluminum/Steel
Fire Rating (NFPA No. 101).....	Class A
Flame Spread.....	0
Smoke Developed.....	0
Fuel Contributed.....	0
Finish.....	Paint Ready

Installation Detail

DETAILS Double Leg Step-Reverse x4 DDLS-Rx4 are used in vertical or horizontal applications to provide a multi-stepped corner detail at two intersecting drywall planes. For use with conventional metal or wood studs and 1/2" or 5/8" (please specify) gypsum drywall board construction. To insure proper installation, screws attaching **DETAILS** components must engage with the stud substructure.

For Ordering

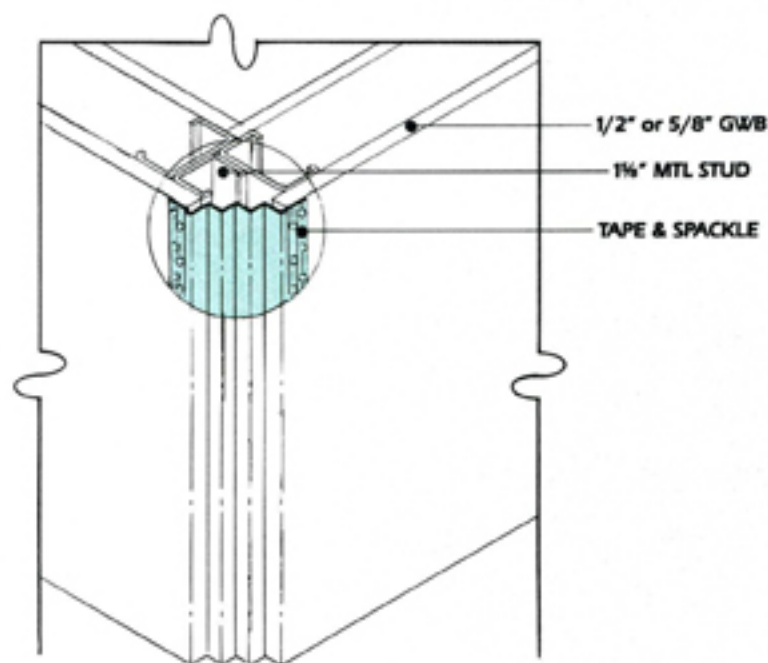
Specify **DETAILS** components by item number below.

ITEM NUMBERS	A"	B"
DDLS 050/050 Rx4	1/2 X	1/2
DDLS 050/063 Rx4	1/2 X	5/8
DDLS 063/063 Rx4	5/8 X	5/8

JOB SPECIFIC

For dimensions not included above please specify job requirements

DDLS A / B Rx4



As manufactured by:

MILGO/BUFKIN

68 Lombardy Street, Brooklyn, New York 11222
(718) 388-6476 Telefax (718) 963-0614

© 1987 Milgo Industrial Inc. Revised 1991

RT 10.0

DETAILS the definitive solution to detailing and installation/execution problems. A full line of standard metal components for the drywall and acoustical trade. All **DETAILS** components are available in standard lengths of 96", 120", 144" plus or minus 1/16". Custom shapes and sizes are also available. Factory prepared joints are recommended when installed lengths require butting of **DETAILS** components. Pre-mitered and assembled corners and intersections are also available. Please contact our nearest representative for further information.

DETAILS™

DET

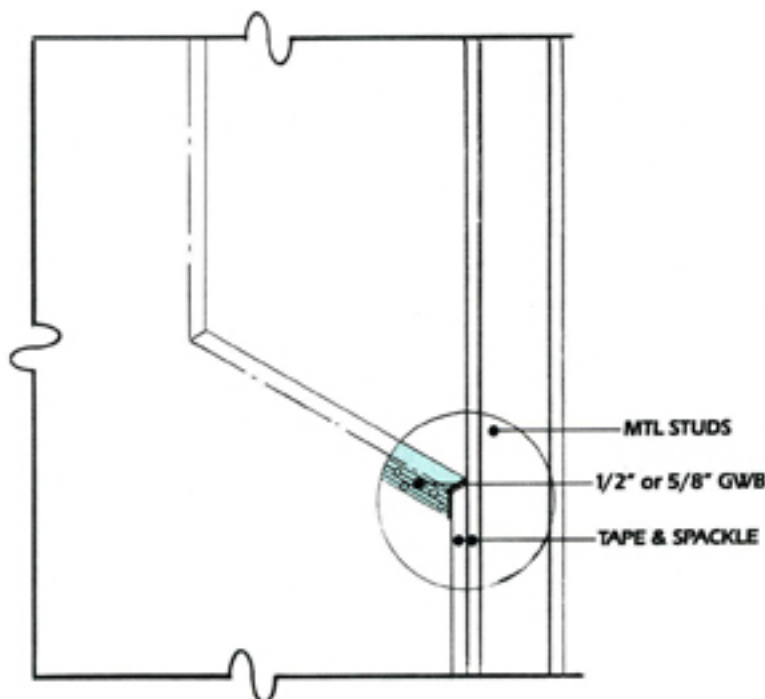
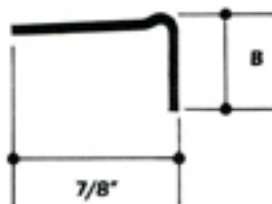
EDGE TRIM

Guide Specification

Edge Trim shall be **DETAILS** DET as manufactured by MILGO/BUFKIN. The formed metal sections shall incorporate an integral offset, punched with staggered holes for screw attachment to conventionally installed gypsum drywall. To insure proper installation, screws must engage with the wood or metal stud sub-structure. Metal surfaces are to be supplied shop primed ready for finishing with a corrosion-inhibiting coating compatible with materials commonly used in interior construction. All joints are to be taped, floated and sanded smooth prior to final finishing. (It is recommended that self-adhesive fiberglass scrim tape be used.) MILGO/BUFKIN as manufacturer reserves the right to change and modify the design and manufacture of **DETAILS** components as part of its ongoing product improvement programs.

Physical Properties

Material.....	Aluminum/Steel
Fire Rating (NFPA No. 101).....	Class A
Flame Spread.....	0
Smoke Developed.....	0
Fuel Contributed.....	0
Finish.....	Paint Ready



Installation Detail

DETAILS Edge Trims DET are used to produce either raised or recessed straight line panels or plainer surfaces. For use with conventional metal or wood studs and 1/2" or 5/8" gypsum drywall board construction. To insure proper installation, screws attaching **DETAILS** components must engage with the stud substructure.

For Ordering

Specify **DETAILS** components by item number below.

ITEM NUMBERS	B"
DET 050	1/2
DET 063	5/8
DET 075	3/4
DET 100	1
DET 125	1 1/4

JOB SPECIFIC

For dimensions not included above please specify job requirements

DET B

As manufactured by:

MILGO/BUFKIN

68 Lombardy Street, Brooklyn, New York 11222
(718) 388-6476 Telefax (718) 963-0614

© 1987 Milgo Industrial Inc. Revised 1991

RT 11.0

DETAILS the definitive solution to detailing and installation/execution problems. A full line of standard metal components for the drywall and acoustical trade. All **DETAILS** components are available in standard lengths of 96", 120", 144" plus or minus 1/16". Custom shapes and sizes are also available. Factory prepared joints are recommended when installed lengths require butting of **DETAILS** components. Pre-mitered and assembled corners and intersections are also available. Please contact our nearest representative for further information.

DETAILS™

DBET

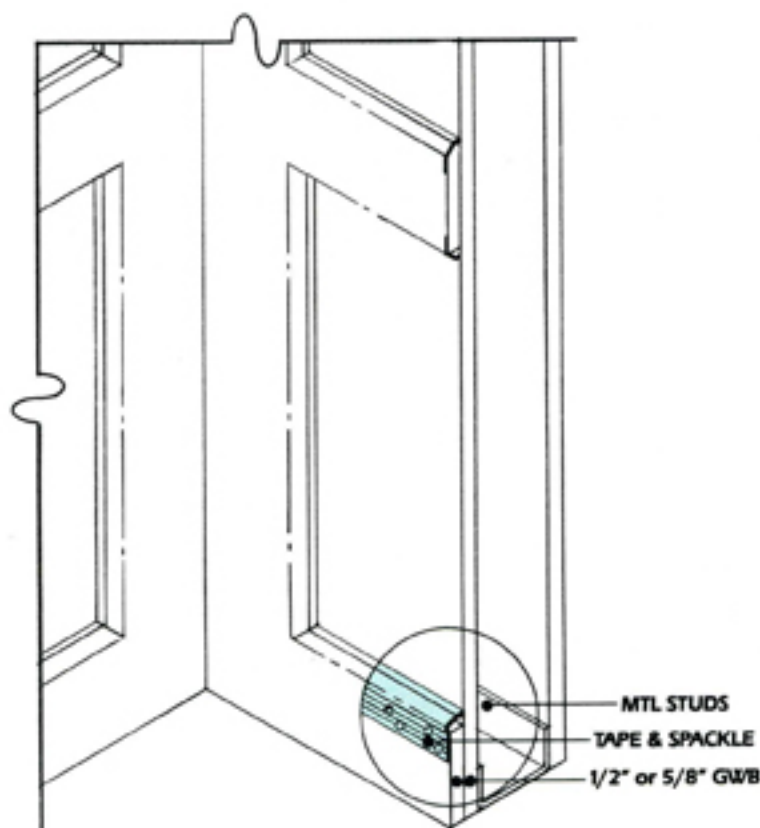
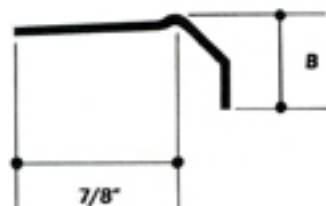
BEVEL EDGE TRIM

Guide Specification

Bevel Edge Trim shall be **DETAILS** DBET as manufactured by MILGO/BUFKIN. The formed metal sections shall incorporate an integral offset, punched with staggered holes for screw attachment to conventionally installed gypsum drywall. To insure proper installation, screws must engage with the wood or metal stud sub-structure. Metal surfaces are to be supplied shop primed ready for finishing with a corrosion-inhibiting coating compatible with materials commonly used in interior construction. All joints are to be taped, floated and sanded smooth prior to final finishing. (It is recommended that self-adhesive fiberglass scrim tape be used.) MILGO/BUFKIN as manufacturer reserves the right to change and modify the design and manufacture of **DETAILS** components as part of its ongoing product improvement programs.

Physical Properties

Material.....	Aluminum/Steel
Fire Rating (NFPA No. 101).....	Class A
Flame Spread.....	0
Smoke Developed.....	0
Fuel Contributed.....	0
Finish.....	Paint Ready



Installation Detail

DETAILS Bevel Edge Trims DBET are used to produce a beveled edge detail on raised panels or at a fixed interior element in a wall or ceiling. For use with conventional metal or wood studs and 1/2" or 5/8" gypsum drywall board construction. To insure proper installation, screws attaching **DETAILS** components must engage with the stud substructure.

For Ordering

Specify **DETAILS** components by item number below.

ITEM NUMBERS	B"
DBET 050	1/2
DBET 063	5/8

JOB SPECIFIC

For dimensions not included above please specify job requirements

DBET B

As manufactured by:

MILGO/BUFKIN

68 Lombardy Street, Brooklyn, New York 11222
(718) 388-6476 Telefax (718) 963-0614

© 1987 Milgo Industrial Inc. Revised 1991

RT 12.0

DETAILS the definitive solution to detailing and installation/execution problems. A full line of standard metal components for the drywall and acoustical trade. All **DETAILS** components are available in standard lengths of 96", 120", 144" plus or minus 1/16". Custom shapes and sizes are also available. Factory prepared joints are recommended when installed lengths require butting of **DETAILS** components. Pre-mitered and assembled corners and intersections are also available. Please contact our nearest representative for further information.

DETAILS™

DSLRL

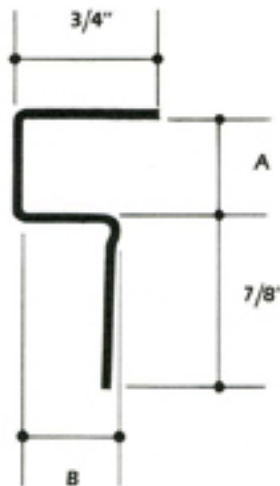
SINGLE LEG REVEAL CEILING TRIM

Guide Specification

Single Leg Reveal - Ceiling Trim shall be **DETAILS** DSLR-CT as manufactured and supplied by MILGO/BUFKIN. The formed metal sections shall incorporate an integral offset, punched with staggered holes for screw attachment to conventionally installed gypsum drywall. To insure proper installation, screws must engage with the wood or metal stud sub-structure. Metal surfaces are to be supplied shop primed ready for finishing with a corrosion-inhibiting coating compatible with materials commonly used in interior construction. All joints are to be taped, floated and sanded smooth prior to final finishing. (It is recommended that self-adhesive fiberglass scrim tape be used.) MILGO/BUFKIN as manufacturer reserves the right to change and modify the design and manufacture of **DETAILS** components as part of its ongoing product improvement programs.

Physical Properties

Material.....	Aluminum/Steel
Fire Rating (NFPA No. 101).....	Class A
Flame Spread.....	0
Smoke Developed.....	0
Fuel Contributed.....	0
Finish.....	Paint Ready



Installation Detail

DETAILS Single Leg Reveal - Ceiling Trim DSLR-CT allows for the placement of a horizontal reveal in a gypsum board wall at the intersection of a wall and a ceiling. The non-taping channel is extended to act as a ledge molding for either exposed lay-in ceiling panels or concealed spline ceiling tiles. For use with conventional metal or wood studs and 1/2" or 5/8" gypsum drywall board construction. To insure proper installation, screws attaching **DETAILS** components must engage with the stud substructure.

For Ordering

Specify **DETAILS** components by item number below.

ITEM NUMBERS	A"	B"
DSLRL 050/050 CT	1/2 X	1/2
DSLRL 063/050 CT	5/8 X	1/2
DSLRL 075/050 CT	3/4 X	1/2
DSLRL 100/050 CT	1 X	1/2
DSLRL 050/063 CT	1/2 X	5/8
DSLRL 063/063 CT	5/8 X	5/8
DSLRL 075/063 CT	3/4 X	5/8
DSLRL 100/063 CT	1 X	5/8

JOB SPECIFIC

For dimensions not included above please specify job requirements

DSLRL A / B CT

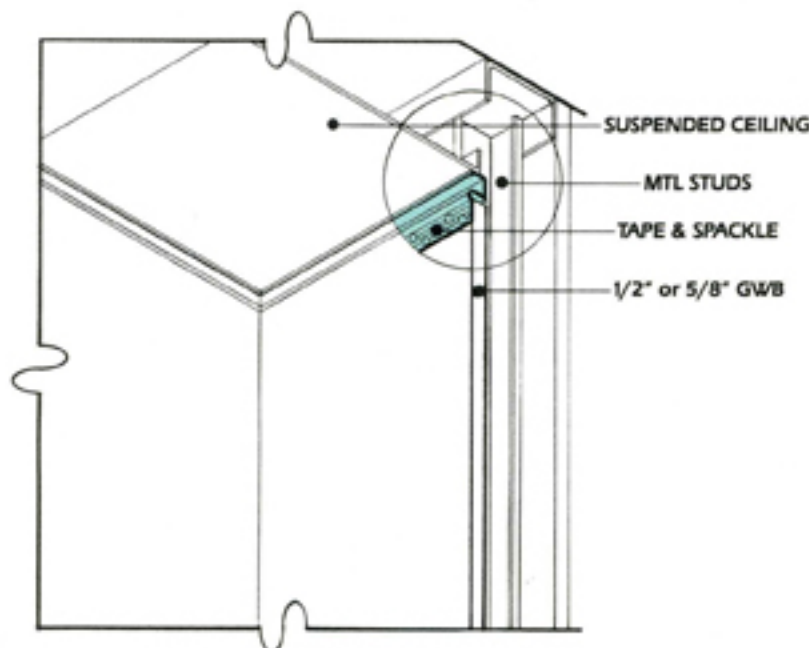
As manufactured by:

MILGO/BUFKIN

68 Lombardy Street, Brooklyn, New York 11222
(718) 388-6476 Telefax (718) 963-0614

© 1987 Milgo Industrial Inc. Revised 1991

RT 13.0



DETAILS the definitive solution to detailing and installation/execution problems. A full line of standard metal components for the drywall and acoustical trade. All **DETAILS** components are available in standard lengths of 96", 120", 144" plus or minus 1/16". Custom shapes and sizes are also available. Factory prepared joints are recommended when installed lengths require butting of **DETAILS** components. Pre-mitered and assembled corners and intersections are also available. Please contact our nearest representative for further information.

DETAILS™

DSLWT

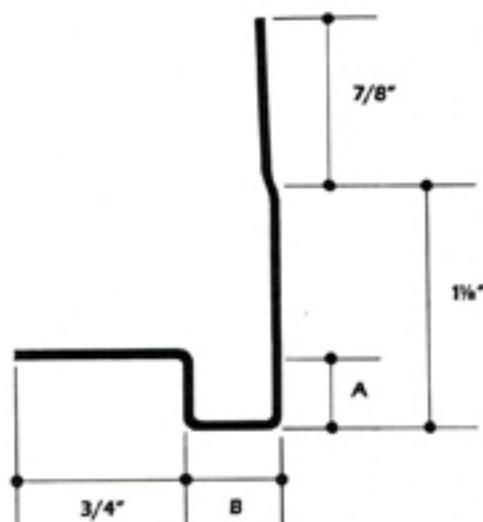
SINGLE LEG WALL TRIM FASCIA

Guide Specification

Single Leg Wall Trim-Fascia shall be **DETAILS** DSLWT-F as manufactured and supplied by MILGO/BUFKIN. The formed metal sections shall incorporate an integral offset, punched with staggered holes for screw attachment to conventionally installed gypsum drywall. To insure proper installation, screws must engage with the wood or metal stud sub-structure. Metal surfaces are to be supplied shop primed ready for finishing with a corrosion-inhibiting coating compatible with materials commonly used in interior construction. All joints are to be taped, floated and sanded smooth prior to final finishing. (It is recommended that self-adhesive fiberglass scrim tape be used.) MILGO/BUFKIN as manufacturer reserves the right to change and modify the design and manufacture of **DETAILS** components as part of its ongoing product improvement programs.

Physical Properties

Material.....	Aluminum/Steel
Fire Rating (NFPA No. 10E).....	Class A
Flame Spread.....	0
Smoke Developed.....	0
Fuel Contributed.....	0
Finish.....	Paint Ready



Installation Detail

DETAILS Single Leg Wall Trim - Fascia DSLWT-F is for use at the bottom edge of a drywall fascia. This trim forms a protective edge as well as a reveal between the fascia and soffit. The top leg can be used as a support for lay in or concealed spline ceiling tiles. For use with conventional metal or wood studs and 1/2" or 5/8" gypsum drywall board construction. To insure proper installation, screws attaching **DETAILS** components must engage with the stud substructure.

For Ordering

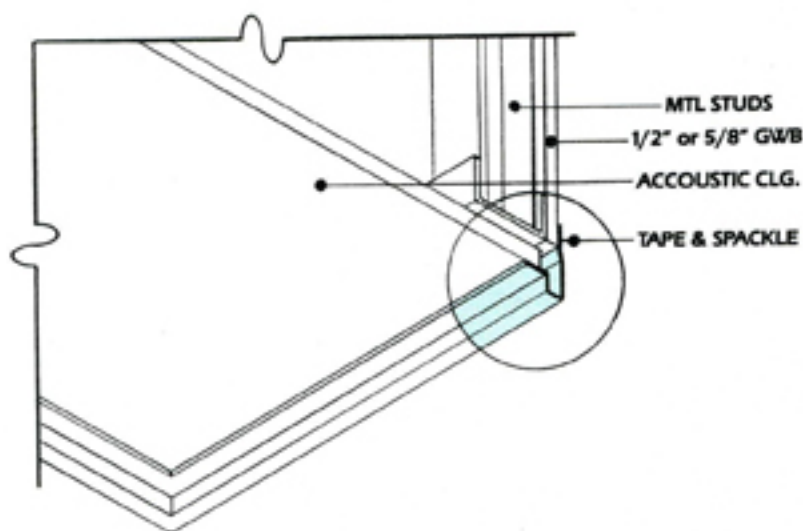
Specify **DETAILS** components by item number below.

ITEM NUMBERS	A"	B"
DSLWT 038/050 F	3/8 X	1/2
DSLWT 038/063 F	3/8 X	5/8
DSLWT 075/050 F	3/4 X	1/2
DSLWT 075/063 F	3/4 X	5/8

JOB SPECIFIC

For dimensions not included above please specify job requirements

DSLWT $\frac{A}{\text{Reveal}}$ / $\frac{B}{\text{Drywall Thickness}}$ F



As manufactured by

MILGO/BUFKIN

68 Lombardy Street, Brooklyn, New York 11222
(718) 388-6476 Telefax (718) 963-0614

© 1987 Milgo Industrial Inc. Revised 1991

RT 14.0

DETAILS the definitive solution to detailing and installation/execution problems. A full line of standard metal components for the drywall and acoustical trade. All **DETAILS** components are available in standard lengths of 96", 120", 144" plus or minus 1/16". Custom shapes and sizes are also available. Factory prepared joints are recommended when installed lengths require butting of **DETAILS** components. Pre-mitered and assembled corners and intersections are also available. Please contact our nearest representative for further information.

DETAILS™

DDL R

DOUBLE LEG REVEAL FASCIA SOFFIT TRIM

Guide Specification

Double Leg Reveal-Fascia Soffit Trim shall be **DETAILS** DDLR-FST as manufactured by MILGO/BUFKIN. The formed metal sections shall incorporate an integral offset, punched with staggered holes for screw attachment to conventionally installed gypsum drywall. To insure proper installation, screws must engage with the wood or metal stud sub-structure. Metal surfaces are to be supplied shop primed ready for finishing with a corrosion-inhibiting coating compatible with materials commonly used in interior construction. All joints are to be taped, floated and sanded smooth prior to final finishing. [It is recommended that self-adhesive fiberglass scrim tape be used.] MILGO/BUFKIN as manufacturer reserves the right to change and modify the design and manufacture of **DETAILS** components as part of its ongoing product improvement programs.

Physical Properties

Material.....	Aluminum/Steel
Fire Rating (NFPA No. 101).....	Class A
Flame Spread.....	0
Smoke Developed.....	0
Fuel Contributed.....	0
Finish.....	Paint Ready



Installation Detail

DETAILS Double Leg Reveal-Fascia Soffit Trim DDLR-FST allows for the placement of a reveal in either the vertical or horizontal planes of a drywall soffit or fascia. For use with conventional metal or wood studs and 1/2" or 5/8" gypsum drywall board construction. To insure proper installation, screws attaching **DETAILS** components must engage with the stud substructure.

For Ordering

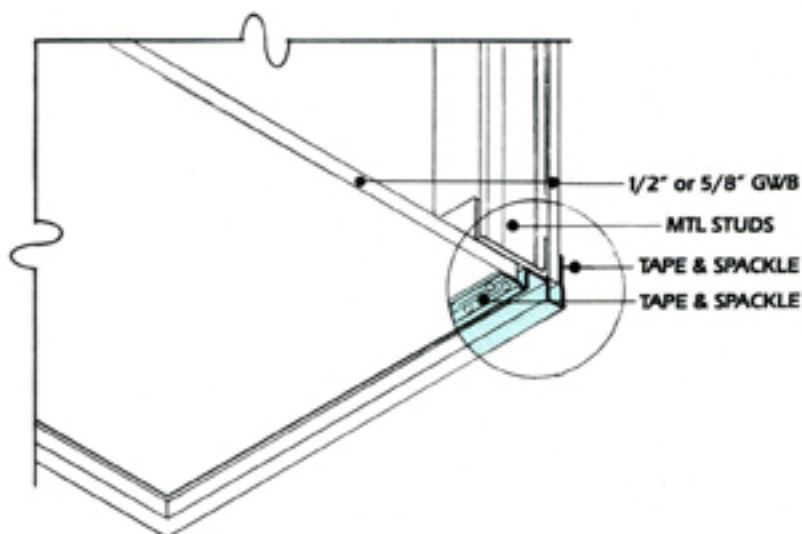
Specify **DETAILS** components by item number below.

ITEM NUMBERS	A"	B"
DDL R 075/050 FST	3/4 X	1/2
DDL R 075/063 FST	3/4 X	5/8

JOB SPECIFIC

For dimensions not included above please specify job requirements

DDL R	$\frac{A}{\text{Reveal}}$	/	$\frac{B}{\text{Drywall Thickness}}$	FST
-------	---------------------------	---	--------------------------------------	-----



As manufactured by:

MILGO/BUFKIN

68 Lombardy Street, Brooklyn, New York 11222
(718) 388-6476 Telefax (718) 963-0614

© 1987 Milgo Industrial Inc. Revised 1991

RT 15.0

DETAILS the definitive solution to detailing and installation/execution problems. A full line of standard metal components for the drywall and acoustical trade. All **DETAILS** components are available in standard lengths of 96", 120", 144" plus or minus 1/16". Custom shapes and sizes are also available. Factory prepared joints are recommended when installed lengths require butting of **DETAILS** components. Pre-mitered and assembled corners and intersections are also available. Please contact our nearest representative for further information.

DETAILS™

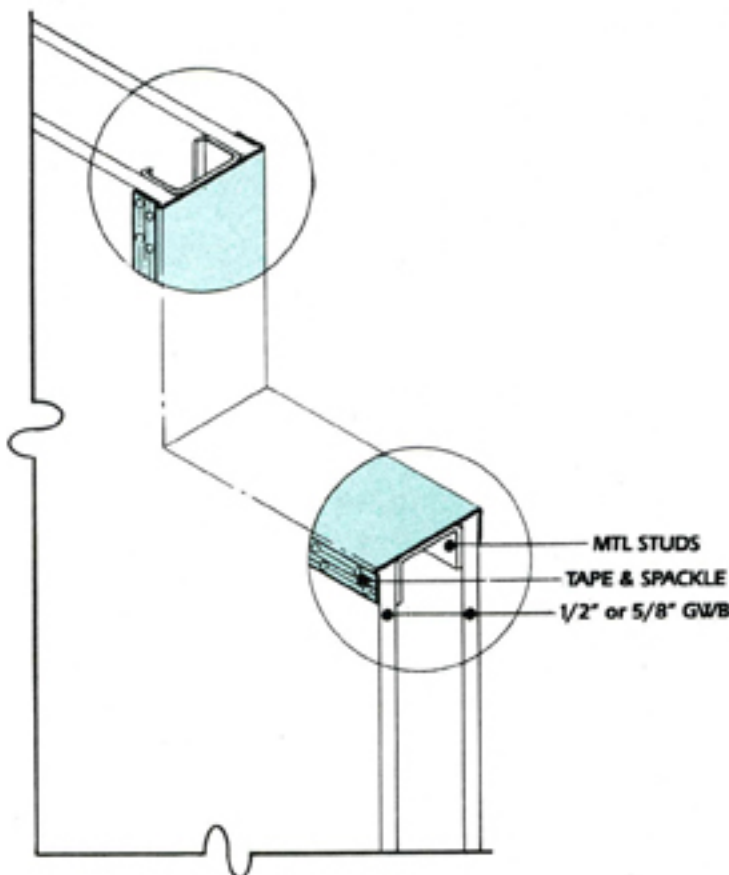
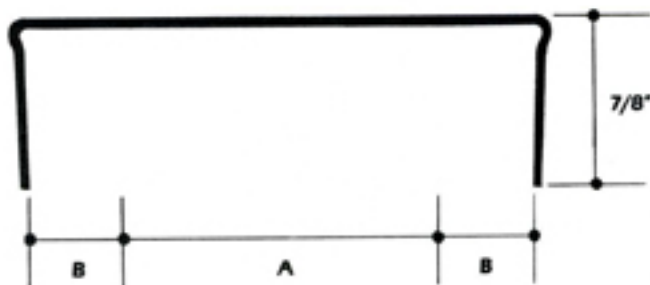
DWC WALL CAP

Guide Specification

Wall Cap shall be **DETAILS** DWC as manufactured by MILGO/BUFKIN. The formed metal sections shall incorporate an integral offset, punched with staggered holes for screw attachment to conventionally installed gypsum drywall. To insure proper installation, screws must engage with the wood or metal stud sub-structure. Metal surfaces are to be supplied shop primed ready for finishing with a corrosion-inhibiting coating compatible with materials commonly used in interior construction. All joints are to be taped, floated and sanded smooth prior to final finishing. (It is recommended that self-adhesive fiberglass scrim tape be used.) MILGO/BUFKIN as manufacturer reserves the right to change and modify the design and manufacture of **DETAILS** components as part of its ongoing product improvement programs.

Physical Properties

Material.....	Aluminum/Steel
Fire Rating (NFPA No. 101).....	Class A
Flame Spread.....	0
Smoke Developed.....	0
Fuel Contributed.....	0
Finish.....	Paint Ready



Installation Detail

DETAILS Wall Caps DWC are used either vertically or horizontally to produce a terminating straight cap at the end of a drywall partition. This item is available in a variety of sizes to fit over standard structural stud and drywall size combinations. To insure proper installation, screws attaching **DETAILS** components must engage with the stud substructure.

For Ordering

Specify **DETAILS** components by item number below.

ITEM NUMBERS	A*	B*
DWC 163/050	1 1/2	1/2
DWC 163/063	1 1/2	5/8
DWC 250/050	2 1/2	1/2
DWC 250/063	2 1/2	5/8
DWC 363/050	3 1/2	1/2
DWC 363/063	3 1/2	5/8
DWC 400/050	4	1/2
DWC 400/063	4	5/8

JOB SPECIFIC

For dimensions not included above please specify job requirements

DWC	$\frac{A}{\text{Stud Dimension}}$	/	$\frac{B}{\text{Drywall Thickness}}$
-----	-----------------------------------	---	--------------------------------------

As manufactured by:
MILGO/BUFKIN

68 Lombardy Street, Brooklyn, New York 11222
(718) 388-6476 Telefax (718) 963-0614

© 1987 Milgo Industrial Inc. Revised 1991

RT 16.0

DETAILS the definitive solution to detailing and installation/execution problems. A full line of standard metal components for the drywall and acoustical trade. All **DETAILS** components are available in standard lengths of 96", 120", 144" plus or minus 1/16". Custom shapes and sizes are also available. Factory prepared joints are recommended when installed lengths require butting of **DETAILS** components. Pre-mitered and assembled corners and intersections are also available. Please contact our nearest representative for further information.

DETAILS™

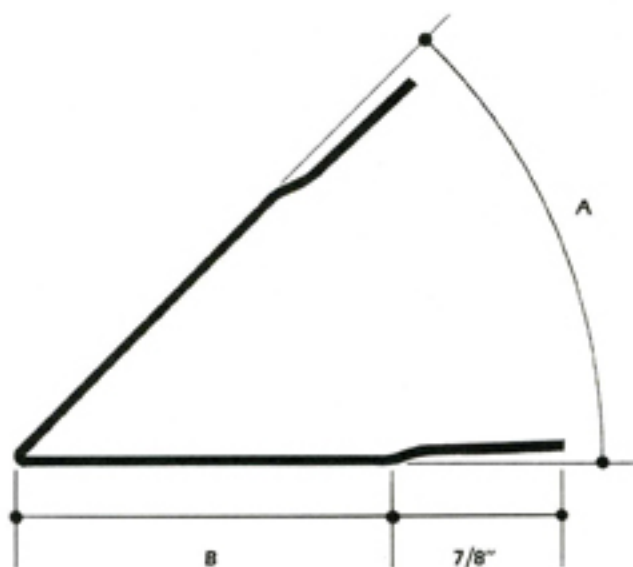
DOC OUTSIDE CORNER

Guide Specification

Outside Corner shall be **DETAILS** DOC as manufactured by MILGO/BUFKIN. The formed metal sections shall incorporate an integral offset, punched with staggered holes for screw attachment to conventionally installed gypsum drywall. To insure proper installation, screws must engage with the wood or metal stud sub-structure. Metal surfaces are to be supplied shop primed ready for finishing with a corrosion-inhibiting coating compatible with materials commonly used in interior construction. All joints are to be taped, floated and sanded smooth prior to final finishing. (It is recommended that self-adhesive fiberglass scrim tape be used.) MILGO/BUFKIN as manufacturer reserves the right to change and modify the design and manufacture of **DETAILS** components as part of its ongoing product improvement programs.

Physical Properties

Material.....	Aluminum/Steel
Fire Rating (NFPA No. 101).....	Class A
Flame Spread.....	0
Smoke Developed.....	0
Fuel Contributed.....	0
Finish.....	Paint Ready



Installation Detail

DETAILS Outside Corner DOC provides a crisp, accurate and durable angled corner at the intersection of two drywall planes. For use with conventional 1/2" or 5/8" gypsum drywall board, DOC may require an angled wood or metal stud support. To insure proper installation, screws attaching **DETAILS** components must engage with the stud substructure.

For Ordering

Specify **DETAILS** components by item number below.

ITEM NUMBERS	A"	B"
DOC 030/400	30	4
DOC 045/200	45	2
DOC 060/200	60	2
DOC 120/200	120	2
DOC 135/200	135	2
DOC 150/200	150	2

JOB SPECIFIC

For dimensions not included above please specify job requirements

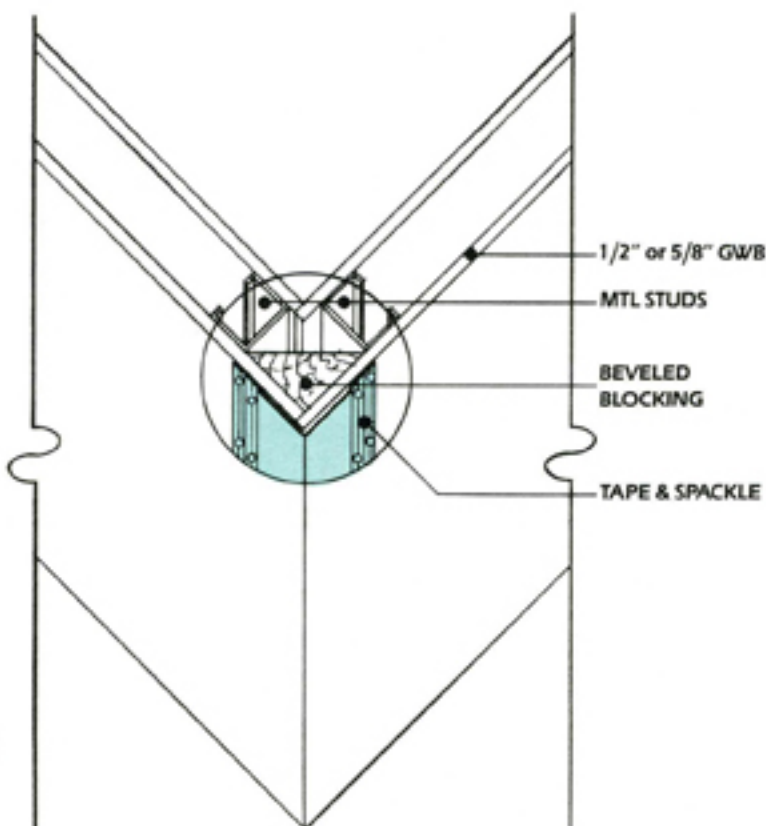
DOC A / B

As manufactured by:
MILGO/BUFKIN

68 Lombardy Street, Brooklyn, New York 11222
(718) 388-6476 Telefax (718) 963-0614

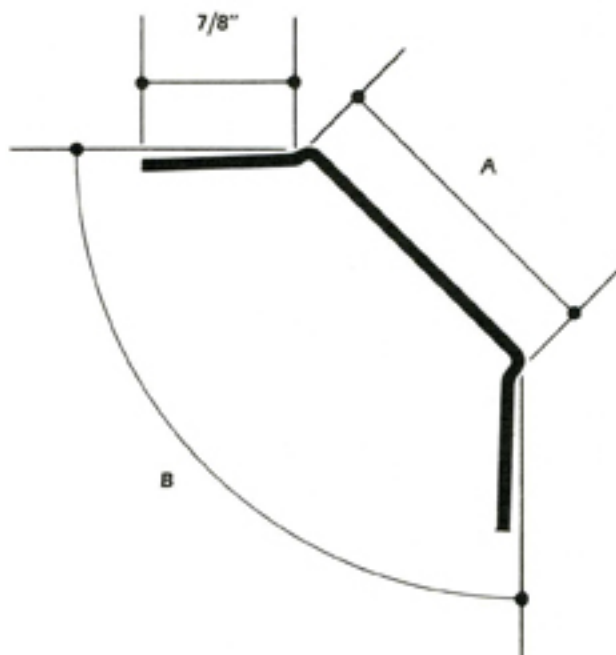
© 1991 Milgo Industrial Inc.

RT 16.1



DETAILS the definitive solution to detailing and installation/execution problems. A full line of standard metal components for the drywall and acoustical trade. All **DETAILS** components are available in standard lengths of 96", 120", 144" plus or minus 1/16". Custom shapes and sizes are also available. Factory prepared joints are recommended when installed lengths require butting of **DETAILS** components. Pre-mitered and assembled corners and intersections are also available. Please contact our nearest representative for further information.

DETAILS™



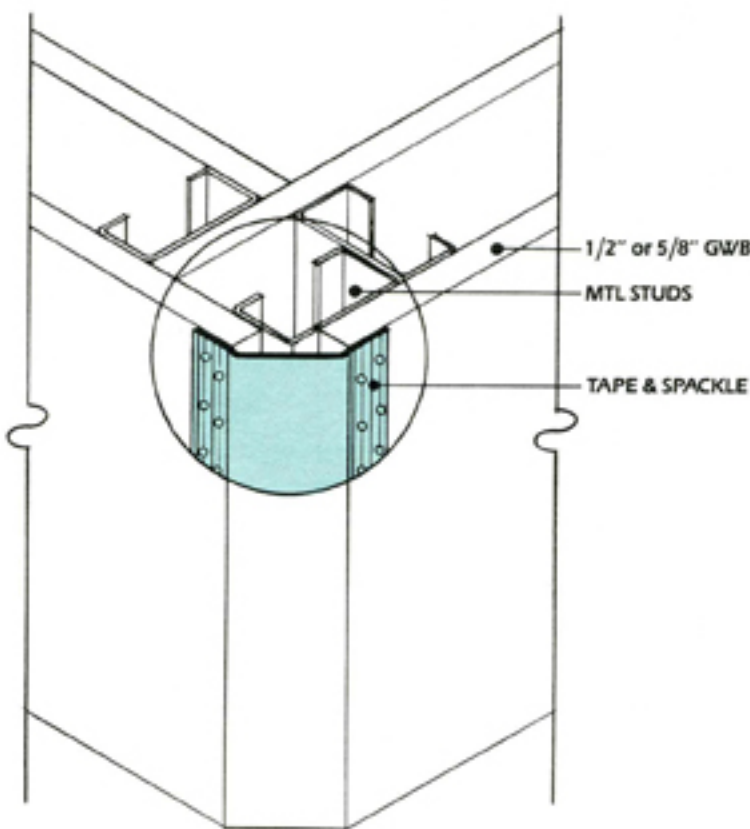
DOCC OUTSIDE CORNER CHAMFERED

Guide Specification

Outside Chamfered Corner shall be **DETAILS** DOCC as manufactured by MILGO/BUFKIN. The formed metal sections shall incorporate an integral offset, punched with staggered holes for screw attachment to conventionally installed gypsum drywall. To insure proper installation, screws must engage with the wood or metal stud sub-structure. Metal surfaces are to be supplied shop primed ready for finishing with a corrosion-inhibiting coating compatible with materials commonly used in interior construction. All joints are to be taped, floated and sanded smooth prior to final finishing. (It is recommended that self-adhesive fiberglass scrim tape be used.) MILGO/BUFKIN as manufacturer reserves the right to change and modify the design and manufacture of **DETAILS** components as part of its ongoing product improvement programs.

Physical Properties

Material.....	Aluminum/Steel
Fire Rating (NFPA No. 101).....	Class A
Flame Spread.....	0
Smoke Developed.....	0
Fuel Contributed.....	0
Finish.....	Paint Ready



Installation Detail

DETAILS Outside Chamfered Corner DOCC provides a crisp, durable beveled corner at the intersection of two drywall planes. For use with conventional 1/2" or 5/8" gypsum drywall board construction. To insure proper installation, screws attaching **DETAILS** components must engage with the stud substructure.

For Ordering

Specify **DETAILS** components by item number below.

ITEM NUMBERS	A"	B"
DOCC 075/090	3/4	/ 90
DOCC 100/090	1	/ 90
DOCC 125/090	1 1/4	/ 90
DOCC 150/090	1 1/2	/ 90
DOCC 200/090	2	/ 90

JOB SPECIFIC

For dimensions not included above please specify job requirements

DOCC A / B

As manufactured by:
MILGO/BUFKIN

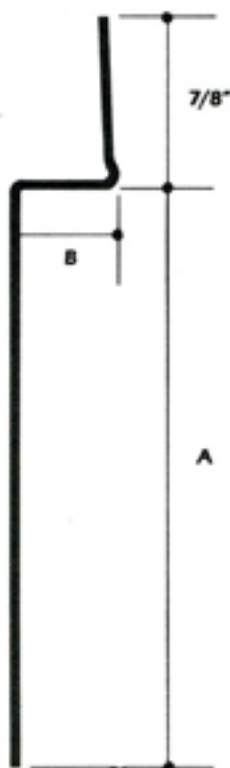
68 Lombardy Street, Brooklyn, New York 11222
(718) 388-6476 Telefax (718) 963-0614

© 1991 Milgo Industrial Inc.

RT 16.2

DETAILS the definitive solution to detailing and installation/execution problems. A full line of standard metal components for the drywall and acoustical trade. All **DETAILS** components are available in standard lengths of 96", 120", 144" plus or minus 1/16". Custom shapes and sizes are also available. Factory prepared joints are recommended when installed lengths require butting of **DETAILS** components. Pre-mitered and assembled corners and intersections are also available. Please contact our nearest representative for further information.

DETAILS™



DWB WALL BASE

Guide Specification

Wall Base shall be **DETAILS** DWB as manufactured by MILGO/BUFKIN. The formed metal sections shall incorporate an integral offset, punched with staggered holes for screw attachment to conventionally installed gypsum drywall. To insure proper installation, screws must engage with the wood or metal stud sub-structure. Metal surfaces are to be supplied shop primed ready for finishing with a corrosion-inhibiting coating compatible with materials commonly used in interior construction. All joints are to be taped, floated and sanded smooth prior to final finishing. (It is recommended that self-adhesive fiberglass scrim tape be used.) MILGO/BUFKIN as manufacturer reserves the right to change and modify the design and manufacture of **DETAILS** components as part of its ongoing product improvement program.

Physical Properties

Material.....	Aluminum/Steel
Fire Rating (NFPA No. 101).....	Class A
Flame Spread.....	0
Smoke Developed.....	0
Fuel Contributed.....	0
Finish.....	Paint Ready

Installation Detail

DETAILS Wall Base DWB is used to produce a recessed kick base at the intersection of a wall and floor. Designed to be used with either 1/2" or 5/8" gypsum drywall construction. **DETAILS** Wall Base is a damage resistant solution to wall base design. Stone or metal inserts may also be integrated into the recessed base. To insure proper installation, screws attaching **DETAILS** components must engage with the stud substructure.

For Ordering

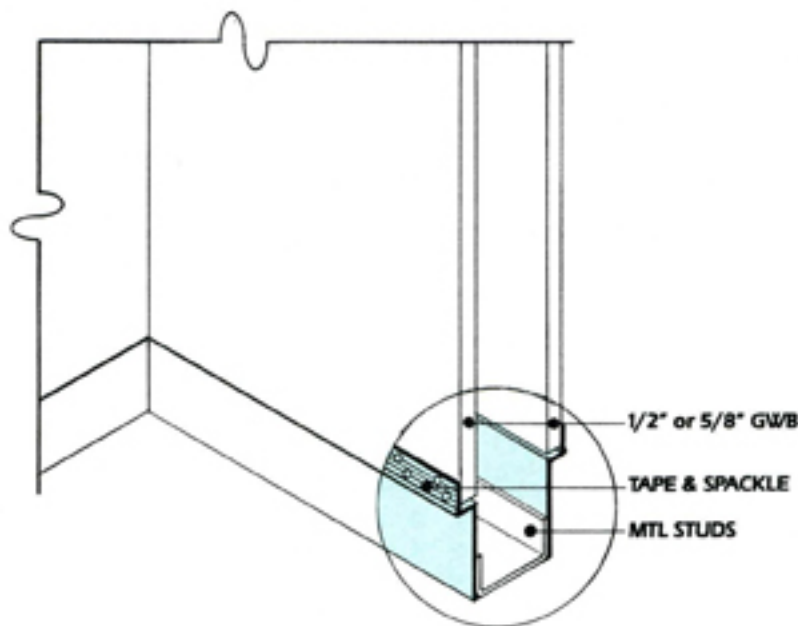
Specify **DETAILS** components by item number below.

ITEM NUMBERS	A"	B"
DWB 300/050	3	X 1/2
DWB 300/063	3	X 5/8
DWB 400/050	4	X 1/2
DWB 400/063	4	X 5/8

JOB SPECIFIC

For dimensions not included above please specify job requirements

DWB A / B



As manufactured by:

MILGO/BUFKIN

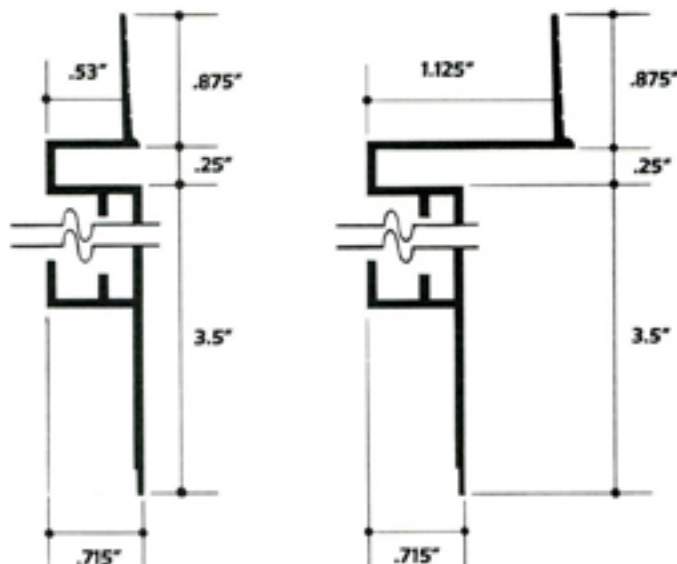
68 Lombardy Street, Brooklyn, New York 11222
(718) 388-6476 Telefax (718) 963-0614

© 1987 Milgo Industrial Inc. Revised 1991

RT 17.0

DETAILS the definitive solution to detailing and installation/execution problems. A full line of standard metal components for the drywall and acoustical trade. All **DETAILS** components are available in standard lengths of 96", 120", 144" plus or minus 1/16". Custom shapes and sizes are also available. Factory prepared joints are recommended when installed lengths require butting of **DETAILS** components. Pre-mitered and assembled corners and intersections are also available. Please contact our nearest representative for further information.

DETAILS™



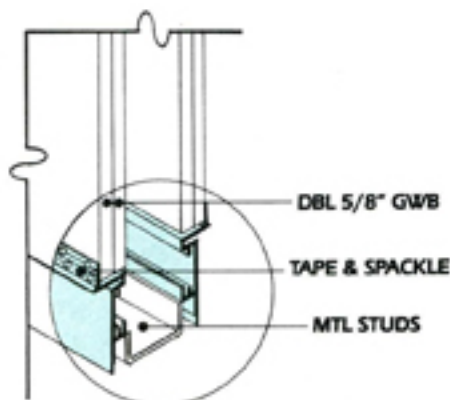
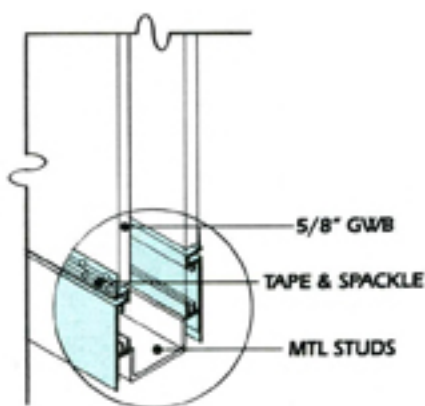
DWB WALL BASE

Guide Specification

Wall Base w/Reveal shall be **DETAILS** DWBR-S/D as manufactured by MILGO/BUFKIN. The formed metal sections shall incorporate an integral offset, punched with staggered holes for screw attachment to conventionally installed gypsum drywall. To insure proper installation, screws must engage with the wood or metal stud sub-structure. Metal surfaces are to be supplied shop primed ready for finishing with a corrosion-inhibiting coating compatible with materials commonly used in interior construction. All joints are to be taped, floated and sanded smooth prior to final finishing. (It is recommended that self-adhesive fiberglass scrim tape be used.) MILGO/BUFKIN as manufacturer reserves the right to change and modify the design and manufacture of **DETAILS** components as part of its ongoing product improvement programs.

Physical Properties

Material.....	Aluminum
Fire Rating (NFPA No. 101).....	Class A
Flame Spread.....	0
Smoke Developed.....	0
Fuel Contributed.....	0
Finish.....	Paint Ready



Installation Detail

DETAILS Wall Base w/Reveal - Single/Double produces a thin reveal at the intersection of a plane of gypsum drywall and the wall base. Available for use with either single layer or double layer drywall board construction. DWBR offers an economical damage resistant solution to kick base design. For use with conventional metal or wood stud construction. To insure proper installation, screws attaching **DETAILS** components must engage with the stud substructure.

For Ordering

Specify **DETAILS** components by item number below.

ITEM NUMBERS

DWBR-S (SINGLE LAYER 5/8" DRYWALL)

DWBR-D (DOUBLE LAYER 5/8" DRYWALL)

As manufactured by:

MILGO/BUFKIN

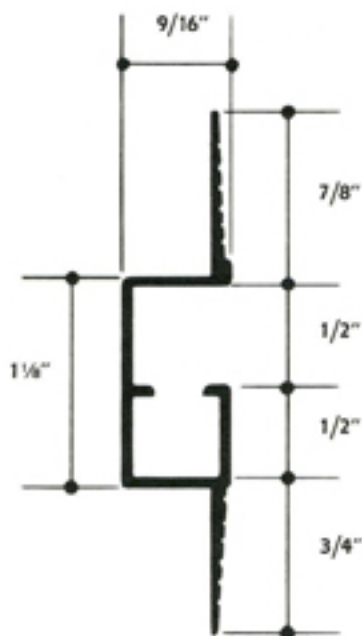
68 Lombardy Street, Brooklyn, New York 11222
(718) 388-6476 Teletax (718) 963-0614

© 1987 Milgo Industrial Inc. Revised 1991

RT 17.1

DETAILS the definitive solution to detailing and installation/execution problems. A full line of standard metal components for the drywall and acoustical trade. All **DETAILS** components are available in standard lengths of 96", 120", 144" plus or minus 1/16". Custom shapes and sizes are also available. Factory prepared joints are recommended when installed lengths require butting of **DETAILS** components. Pre-mitered and assembled corners and intersections are also available. Please contact our nearest representative for further information.

DETAILS™



DDL R-HT

DOUBLE LEG REVEAL HANGING TRACK

Guide Specification

Double Leg Reveal Hanging Track shall be **DETAILS** DDLR-HT as manufactured by MILGO/BUFKIN. The formed metal sections shall incorporate an integral offset, punched with staggered holes for screw attachment to conventionally installed gypsum drywall. To insure proper installation, screws must engage with the wood or metal stud substructure. Metal surfaces are to be supplied shop primed ready for finishing with a corrosion-inhibiting coating compatible with materials commonly used in interior construction. All joints are to be taped, floated and sanded smooth prior to final finishing. (It is recommended that self-adhesive fiberglass scrim tape be used.) MILGO/BUFKIN as manufacturer reserves the right to change and modify the design and manufacture of **DETAILS** components as part of its ongoing product improvement programs.

Physical Properties

Material.....	Aluminum
Fire Rating (NFPA No. 101).....	Class A
Flame Spread.....	0
Smoke Developed.....	0
Fuel Contributed.....	0
Finish.....	Paint Ready

Installation Detail

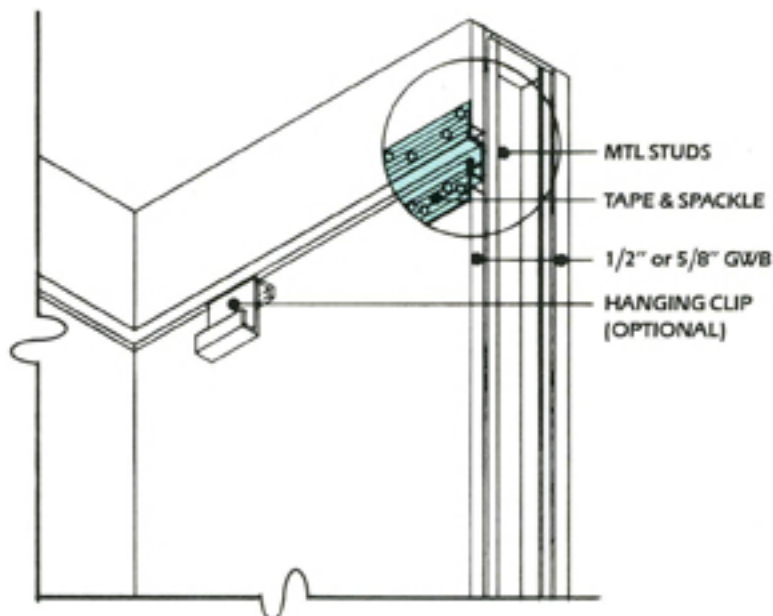
DETAILS Double Leg Reveal Hanging Track DDLR-HT provides a decorative reveal designed to permit the temporary display of artwork and signs without marring the wall surface. For use with conventional metal or wood studs and 1/2" or 5/8" gypsum drywall board construction, DDLR-HT requires horizontal bracing between studs if heavy loads are to be accommodated. To insure proper installation, screws attaching **DETAILS** components must engage with the stud substructure.

For Ordering

Specify **DETAILS** components by item number below.

ITEM NUMBER

DDL R-HT



As manufactured by:

MILGO/BUFKIN

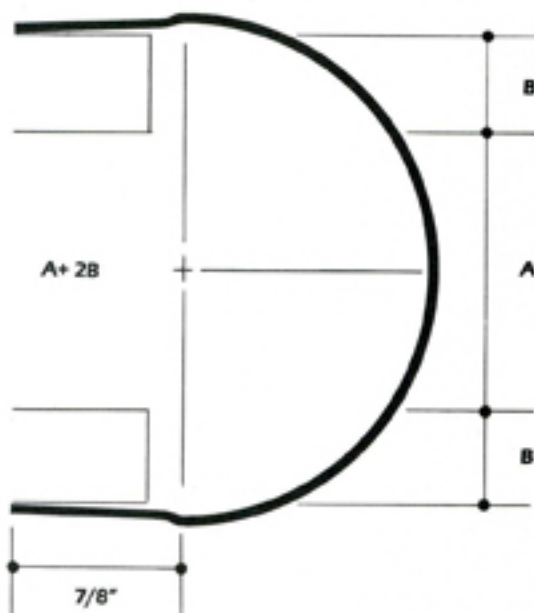
68 Lombardy Street, Brooklyn, New York 11222
(718) 388-6476 Telefax (718) 963-0614

© 1991 Milgo Industrial Inc.

RT 18.0

DETAILS the definitive solution to detailing and installation/execution problems. A full line of standard metal components for the drywall and acoustical trade. All **DETAILS** components are available in standard lengths of 96", 120", 144" plus or minus 1/16". Custom shapes and sizes are also available. Factory prepared joints are recommended when installed lengths require butting of **DETAILS** components. Pre-mitered and assembled corners and intersections are also available. Please contact our nearest representative for further information.

DETAILS™



DBN

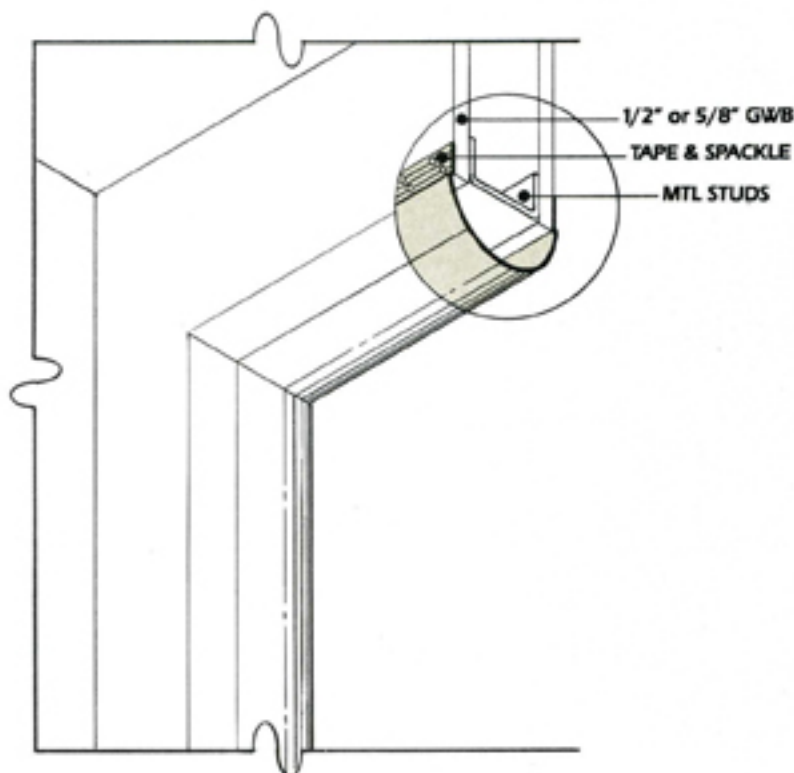
BULL NOSE

Guide Specification

Bull Nose shall be **DETAILS** DBN as manufactured by MILGO/BUFKIN. The formed metal sections shall incorporate an integral offset, punched with staggered holes for screw attachment to conventionally installed gypsum drywall. To insure proper installation, screws must engage with the wood or metal stud sub-structure. Metal surfaces are to be supplied shop primed ready for finishing with a corrosion-inhibiting coating compatible with materials commonly used in interior construction. All joints are to be taped, floated and sanded smooth prior to final finishing. (It is recommended that self-adhesive fiberglass scrim tape be used.) MILGO/BUFKIN as manufacturer reserves the right to change and modify the design and manufacture of **DETAILS** components as part of its ongoing product improvement programs.

Physical Properties

Material.....	Aluminum/Steel
Fire Rating (NFPA No. 101).....	Class A
Flame Spread.....	0
Smoke Developed.....	0
Fuel Contributed.....	0
Finish.....	Paint Ready



Installation Detail

DETAILS Bull Nose DBN are used to cap a wall or partition and can be used either vertically or horizontally. DBN can be used with either 1/2" or 5/8" gypsum drywall board construction and have been designed to integrate with standard stud sizes and drywall board combinations. Screws attaching **DETAILS** components must engage with the stud substructure.

For Ordering

Specify **DETAILS** components by item number below.

ITEM NUMBERS	A"	B"
DBN 163/050	1 1/2	1/2
DBN 163/063	1 1/2	5/8
DBN 250/050	2 1/2	1/2
DBN 250/063	2 1/2	5/8
DBN 363/050	3 3/4	1/2
DBN 363/063	3 3/4	5/8
DBN 400/050	4	1/2
DBN 400/063	4	5/8

JOB SPECIFIC

For dimensions not included above please specify job requirements

DBN	$\frac{A}{\text{Stud Dimension}}$	/	$\frac{B}{\text{Drywall Thickness}}$
-----	-----------------------------------	---	--------------------------------------

As manufactured by:

MILGO/BUFKIN

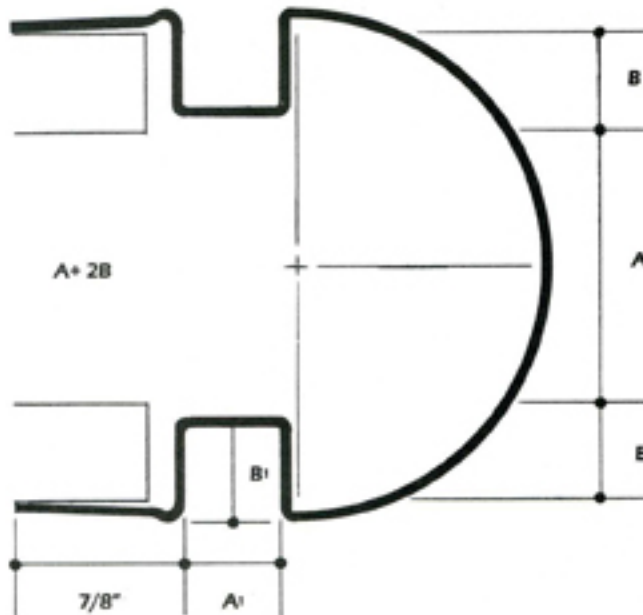
68 Lombardy Street, Brooklyn, New York 11222
 (718) 388-6476 Telefax (718) 963-0614

© 1987 Milgo Industrial Inc. Revised 1991

BN 1.0

DETAILS the definitive solution to detailing and installation/execution problems. A full line of standard metal components for the drywall and acoustical trade. All **DETAILS** components are available in standard lengths of 96", 120", 144" plus or minus 1/32". Custom shapes and sizes are also available. Factory prepared joints are recommended when installed lengths require butting of **DETAILS** components. Pre-mitered and assembled corners and intersections are also available. Please contact our nearest representative for further information.

DETAILS™



DBN

BULL NOSE W/REVEAL

Guide Specification

Bull Nose w/Reveal shall be **DETAILS** DBN-R as manufactured by MILGO/BUFKIN. The formed metal sections shall incorporate an integral offset, punched with staggered holes for screw attachment to conventionally installed gypsum drywall. To insure proper installation, screws must engage with the wood or metal stud sub-structure. Metal surfaces are to be supplied shop primed ready for finishing with a corrosion-inhibiting coating compatible with materials commonly used in interior construction. All joints are to be taped, floated and sanded smooth prior to final finishing. (It is recommended that self-adhesive fiberglass scrim tape be used.) MILGO/BUFKIN as manufacturer reserves the right to change and modify the design and manufacture of **DETAILS** components as part of its ongoing product improvement programs.

Physical Properties

Material.....	Aluminum/Steel
Fire Rating (NFPA No. 101).....	Class A
Flame Spread.....	0
Smoke Developed.....	0
Fuel Contributed.....	0
Finish.....	Paint Ready

Installation Detail

DETAILS Bull Nose w/Reveal DBN-R produces a reveal adjacent to a bull nose end condition in gypsum drywall board construction. This integral reveal is available in various dimensions. DBN-R can be used with either 1/2" or 5/8" gypsum drywall board construction and has been designed to integrate with standard stud sizes and drywall board combinations. Screws attaching **DETAILS** components must engage with the stud substructure.

For Ordering

Specify **DETAILS** components by item number below.

ITEM NUMBERS	A ₁ "	B ₁ "
DBN [Specify Model*] R 050 X 050	050	050
DBN [Specify Model] R 063 X 063	063	063
DBN [Specify Model] R 075 X 075	075	075
DBN [Specify Model] R 100 X 100	100	100

*EXAMPLE DBN 363/063 R 063/063 SEE BN 1.0

JOB SPECIFIC

For dimensions not included above please specify job requirements

DBN	$\frac{A}{\text{Stud Dimension}}$	/	$\frac{B}{\text{Drywall Thickness}}$	R	$\frac{A_1}{\text{Stud Dimension}}$	/	$\frac{B_1}{\text{Drywall Thickness}}$
-----	-----------------------------------	---	--------------------------------------	---	-------------------------------------	---	--

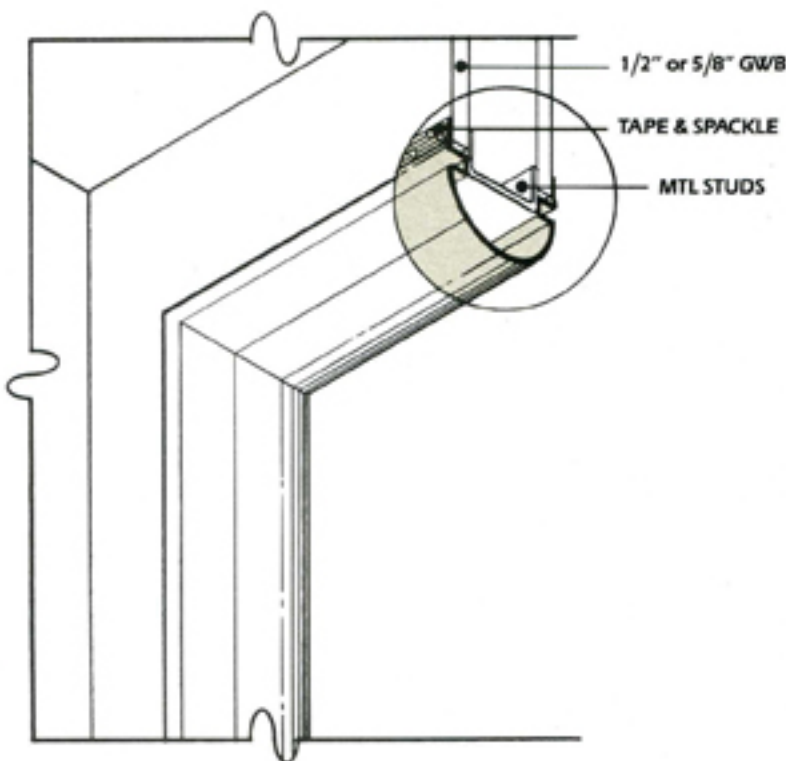
As manufactured by:

MILGO/BUFKIN

68 Lombardy Street, Brooklyn, New York 11222
(718) 388-6476 Telefax (718) 963-0614

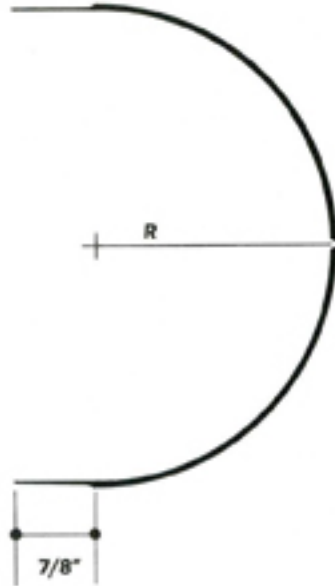
© 1987 Milgo Industrial Inc. Revised 1991

BN 1.1



DETAILS the definitive solution to detailing and installation/execution problems. A full line of standard metal components for the drywall and acoustical trade. All **DETAILS** components are available in standard lengths of 96", 120", 144" plus or minus 1/16". Custom shapes and sizes are also available. Factory prepared joints are recommended when installed lengths require butting of **DETAILS** components. Pre-mitered and assembled corners and intersections are also available. Please contact our nearest representative for further information.

DETAILS™



DLRBN

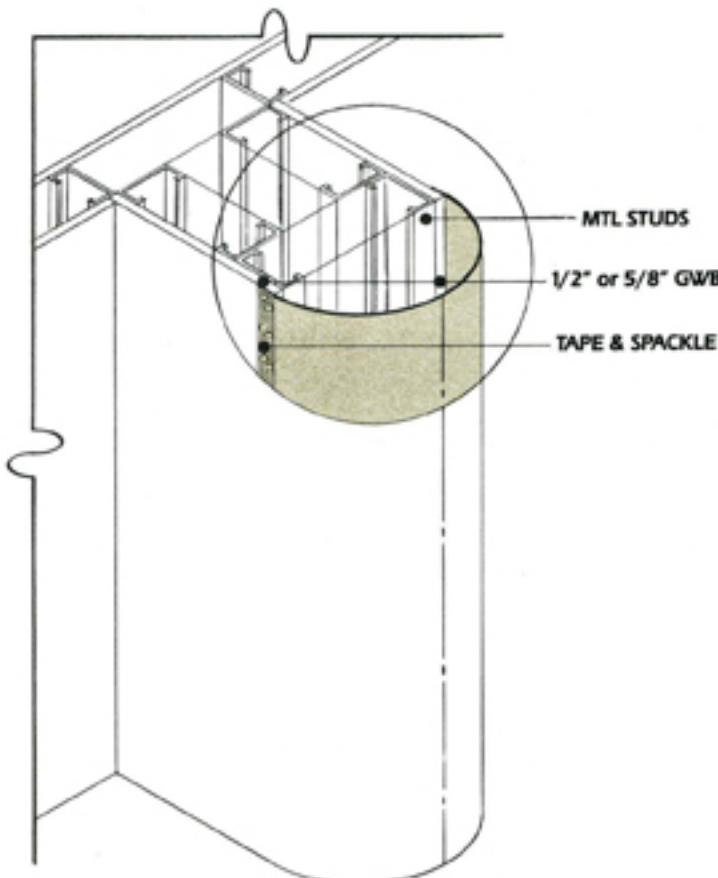
LARGE RADIUS BULL NOSE TANGENT FIN

Guide Specification

Large Radius Bull-Nose Tangent Fins shall be **DETAILS** DLRBN-T as manufactured by MILGO/BUFKIN. The formed metal sections shall incorporate an integral offset, punched with staggered holes for screw attachment to conventionally installed gypsum drywall. To insure proper installation, screws must engage with the wood or metal stud sub-structure. Metal surfaces are to be supplied shop primed ready for finishing with a corrosion-inhibiting coating compatible with materials commonly used in interior construction. All joints are to be taped, floated and sanded smooth prior to final finishing. (It is recommended that self-adhesive fiberglass scrim tape be used.) MILGO/BUFKIN as manufacturer reserves the right to change and modify the design and manufacture of **DETAILS** components as part of its ongoing product improvement program.

Physical Properties

Material.....	Aluminum
Fire Rating (NFPA No. 101).....	Class A
Flame Spread.....	0
Smoke Developed.....	0
Fuel Contributed.....	0
Finish.....	Paint Ready



Installation Detail

DETAILS Large Radius Bull Nose DLRBN-T are available in any size radius from a 5" minimum to an unlimited maximum in any increment. DLRBN Edges (Tangent, Perpendicular, or Tangent-Perpendicular) can be formed to meet any design criteria. (i.e. Half Column Covers, Partition Terminations). For use with either 1/2" or 5/8" gypsum drywall board construction. Screws attaching **DETAILS** components must engage with the stud substructure.

For Ordering

Specify **DETAILS** components by item number below.

ITEM NUMBER

DLRBN (Specify Radius) T

As manufactured by:

MILGO/BUFKIN

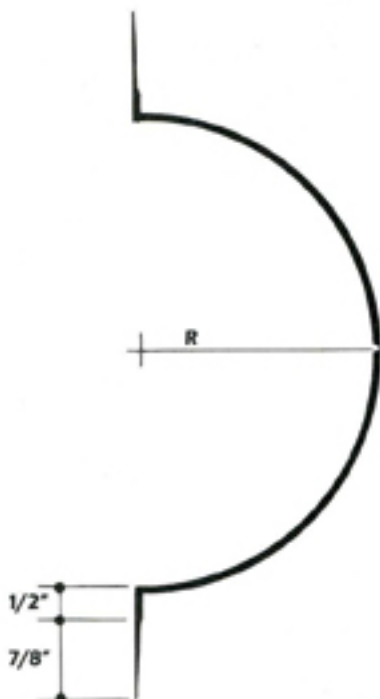
68 Lombardy Street, Brooklyn, New York 11222
(718) 388-6476 Telefax (718) 963-0614

© 1987 Milgo Industrial Inc. Revised 1991

BN 2.0

DETAILS the definitive solution to detailing and installation/execution problems. A full line of standard metal components for the drywall and acoustical trade. All **DETAILS** components are available in standard lengths of 96", 120", 144" plus or minus 1/16". Custom shapes and sizes are also available. Factory prepared joints are recommended when installed lengths require butting of **DETAILS** components. Pre-mitered and assembled corners and intersections are also available. Please contact our nearest representative for further information.

DETAILS™



DLRBN

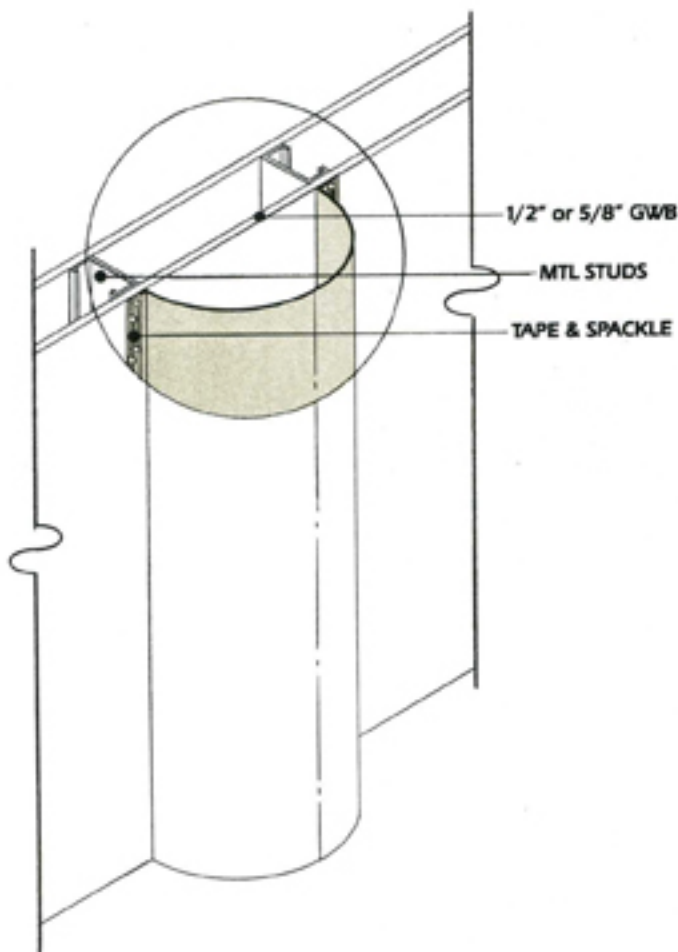
LARGE RADIUS BULL NOSE PERPENDICULAR FINS

Guide Specification

Large Radius Bull Nose Perpendicular Fins shall be **DETAILS** DLRBN-P as manufactured by MILGO/BUFKIN. The formed metal sections shall incorporate an integral offset, punched with staggered holes for screw attachment to conventionally installed gypsum drywall. To insure proper installation, screws must engage with the wood or metal stud sub-structure. Metal surfaces are to be supplied shop primed ready for finishing with a corrosion-inhibiting coating compatible with materials commonly used in interior construction. All joints are to be taped, floated and sanded smooth prior to final finishing. (It is recommended that self-adhesive fiberglass scrim tape be used.) MILGO/BUFKIN as manufacturer reserves the right to change and modify the design and manufacture of **DETAILS** components as part of its ongoing product improvement programs.

Physical Properties

Material.....	Aluminum
Fire Rating (NFPA No. 101).....	Class A
Flame Spread.....	0
Smoke Developed.....	0
Fuel Contributed.....	0
Finish.....	Paint Ready



Installation Detail

DETAILS Large Radius Bull Noses DLRBN-P are available any size radius from a 5" minimum to an unlimited maximum in any increment. DLRBN-P Edges (Tangent, Perpendicular, or Tangent-Perpendicular) can be formed to meet any design criteria. (i.e. Half Column Covers, Partition Terminations). For use with either 1/2" or 5/8" gypsum drywall board construction. Screws attaching **DETAILS** components must engage with the stud substructure.

For Ordering

Specify **DETAILS** components by item number below.

ITEM NUMBER

DLRBN (Specify Radius) P

As manufactured by:

MILGO/BUFKIN

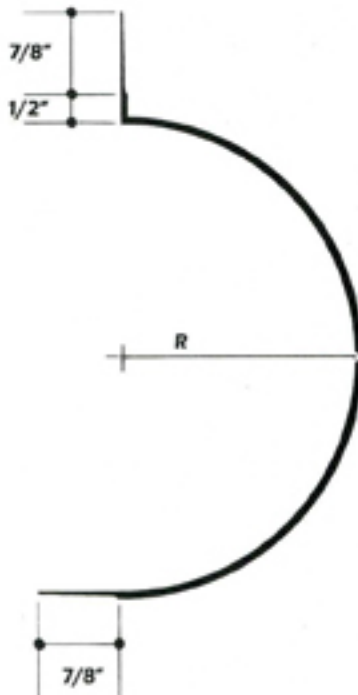
68 Lombardy Street, Brooklyn, New York 11222
(718) 388-6476 Telefax (718) 963-0614

© 1987 Milgo Industrial Inc. Revised 1991

BN 2.1

DETAILS the definitive solution to detailing and installation/execution problems. A full line of standard metal components for the drywall and acoustical trade. All **DETAILS** components are available in standard lengths of 96", 120", 144" plus or minus 1/16". Custom shapes and sizes are also available. Factory prepared joints are recommended when installed lengths require butting of **DETAILS** components. Pre-mitered and assembled corners and intersections are also available. Please contact our nearest representative for further information.

DETAILS™



DLRBN

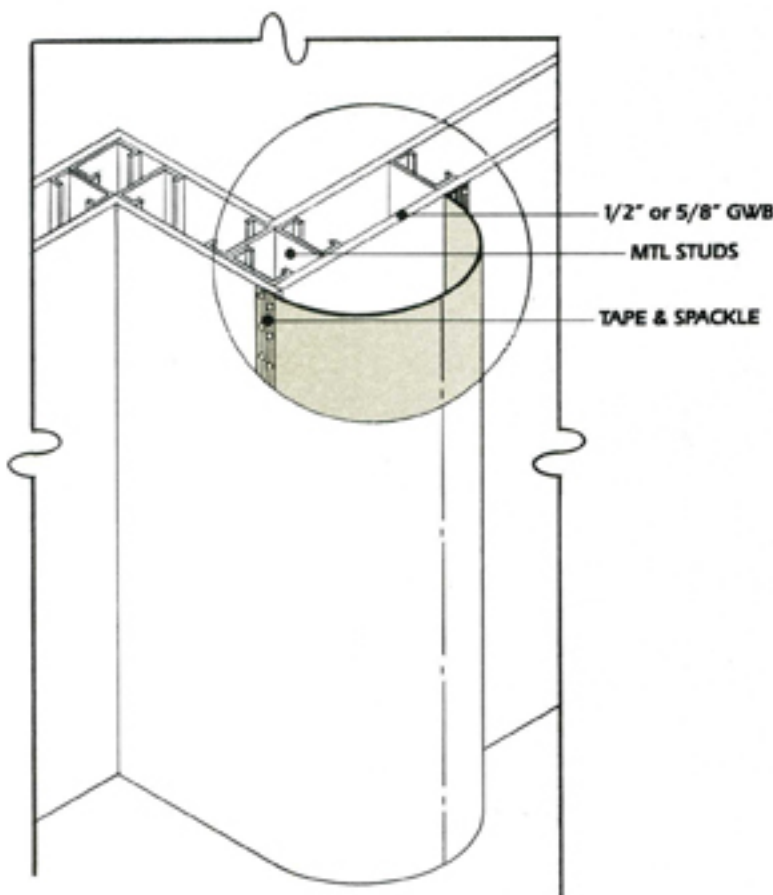
LARGE RADIUS BULL NOSE PERPENDICULAR/TANGENT FIN

Guide Specification

Large Radius Bull Nose-Perpendicular/Tangent Fins shall be **DETAILS** DLRBN as manufactured by MILGO/BUFKIN. The formed metal sections shall incorporate an integral offset, punched with staggered holes for screw attachment to conventionally installed gypsum drywall. To insure proper installation, screws must engage with the wood or metal stud sub-structure. Metal surfaces are to be supplied shop primed ready for finishing with a corrosion-inhibiting coating compatible with materials commonly used in interior construction. All joints are to be taped, floated and sanded smooth prior to final finishing. [It is recommended that self-adhesive fiberglass scrim tape be used.] MILGO/BUFKIN as manufacturer reserves the right to change and modify the design and manufacture of **DETAILS** components as part of its ongoing product improvement programs.

Physical Properties

Material.....	Aluminum
Fire Rating (NFPA No. 101).....	Class A
Flame Spread.....	0
Smoke Developed.....	0
Fuel Contributed.....	0
Finish.....	Paint Ready



Installation Detail

DETAILS Large Radius Bull Noses DLRBN-PT are available in any size radius from a 5" minimum to an unlimited maximum in any increment. DLRBN Edges [Tangent, Perpendicular, or Tangent-Perpendicular] can be formed to meet any design criteria. [i.e. Half Column Covers, Partition Terminations]. For use with either 1/2" or 5/8" gypsum drywall board construction. Screws attaching **DETAILS** components must engage with the stud substructure.

For Ordering

Specify **DETAILS** components by item number below.

ITEM NUMBER

DLRBN (Specify Radius) P/T

As manufactured by:

MILGO/BUFKIN

68 Lombardy Street, Brooklyn, New York 11222
 (718) 388-6476 Telefax (718) 963-0614

© 1987 Milgo Industrial Inc. Revised 1991

DETAILS the definitive solution to detailing and installation/execution problems. A full line of standard metal components for the drywall and acoustical trade. All **DETAILS** components are available in standard lengths of 96", 120", 144" plus or minus 1/16". Custom shapes and sizes are also available. Factory prepared joints are recommended when installed lengths require butting of **DETAILS** components. Pre-mitered and assembled corners and intersections are also available. Please contact our nearest representative for further information.

DETAILS™

DIR

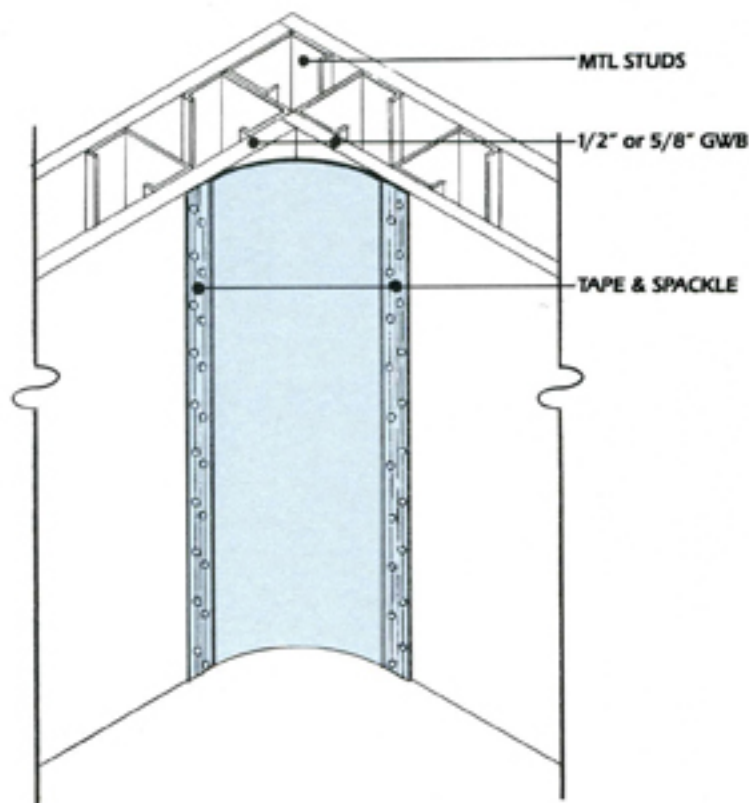
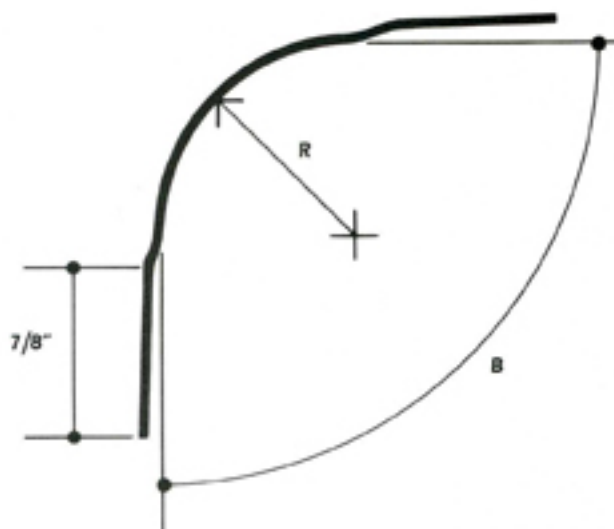
INSIDE RADIUS CORNERS

Guide Specification

Inside Radius Corners shall be **DETAILS** DIR as manufactured by MILGO/BUFKIN. The formed metal sections shall incorporate an integral offset, punched with staggered holes for screw attachment to conventionally installed gypsum drywall. To insure proper installation, screws must engage with the wood or metal stud sub-structure. Metal surfaces are to be supplied shop primed ready for finishing with a corrosion-inhibiting coating compatible with materials commonly used in interior construction. All joints are to be taped, floated and sanded smooth prior to final finishing. (It is recommended that self-adhesive fiberglass scrim tape be used.) MILGO/BUFKIN as manufacturer reserves the right to change and modify the design and manufacture of **DETAILS** components as part of its ongoing product improvement programs.

Physical Properties

Material.....	Aluminum/Steel
Fire Rating (NFPA No. 101).....	Class A
Flame Spread.....	0
Smoke Developed.....	0
Fuel Contributed.....	0
Finish.....	Paint Ready



Installation Detail

DETAILS Inside Radius Corners DIR, produce flowing curved 90 degree corners. Inside Radius Corners in various dimensions can be used either vertically or horizontally at the intersection of two drywall board planes. For use with conventional metal or wood studs and 1/2" or 5/8" gypsum drywall board construction. To insure proper installation, screws attaching **DETAILS** components must engage with the stud substructure.

For Ordering

Specify **DETAILS** components by item number below.

ITEM NUMBERS	R"	B"
DIR 063/90	5/8	90
DIR 075/90	3/4	90
DIR 100/90	1	90
DIR 150/90	1½	90
DIR 200/90	2	90
DIR 250/90	2½	90
DIR 300/90	3	90
DIR 400/90	4	90
DIR 600/90	6	90
DIR 800/90	8	90
DIR 900/90	9	90

JOB SPECIFIC

For dimensions not included above please specify job requirements

DIR R / B

As manufactured by:

MILGO/BUFKIN

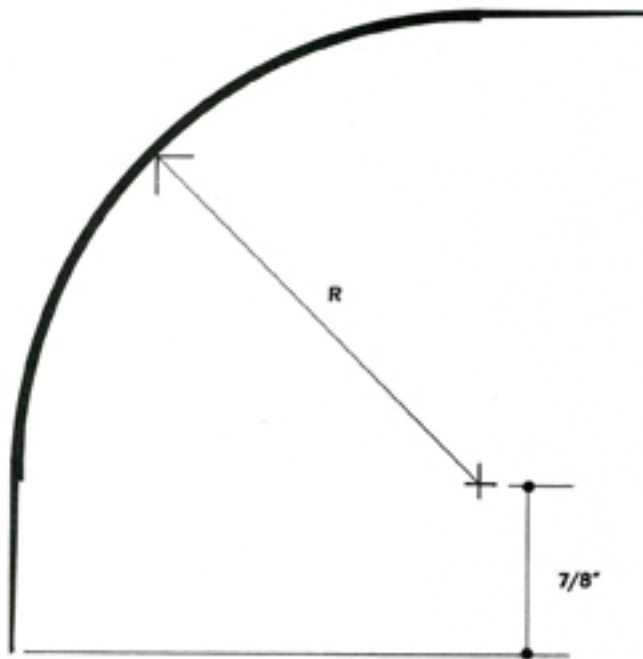
68 Lombardy Street, Brooklyn, New York 11222
(718) 388-6476 Telefax (718) 963-0614

© 1987 Milgo Industrial Inc. Revised 1991

RC 1.0

DETAILS the definitive solution to detailing and installation/execution problems. A full line of standard metal components for the drywall and acoustical trade. All **DETAILS** components are available in standard lengths of 96", 120", 144" plus or minus 1/16". Custom shapes and sizes are also available. Factory prepared joints are recommended when installed lengths require butting of **DETAILS** components. Pre-mitered and assembled corners and intersections are also available. Please contact our nearest representative for further information.

DETAILS™



DLIR LARGE INSIDE RADIUS CORNERS TANGENT FIN

Guide Specification

Large Inside Radius Corners-Tangent Fins shall be **DETAILS DLIR-T** as manufactured by MILGO/BUFKIN. The formed metal sections shall incorporate an integral offset, punched with staggered holes for screw attachment to conventionally installed gypsum drywall. To insure proper installation, screws must engage with the wood or metal stud sub-structure. Metal surfaces are to be supplied shop primed ready for finishing with a corrosion-inhibiting coating compatible with materials commonly used in interior construction. All joints are to be taped, floated and sanded smooth prior to final finishing. (It is recommended that self-adhesive fiberglass scrim tape be used.) MILGO/BUFKIN as manufacturer reserves the right to change and modify the design and manufacture of **DETAILS** components as part of its ongoing product improvement programs.

Physical Properties

Material.....	Aluminum
Fire Rating (NFPA No. 101).....	Class A
Flame Spread.....	0
Smoke Developed.....	0
Fuel Contributed.....	0
Finish.....	Paint Ready

Installation Detail

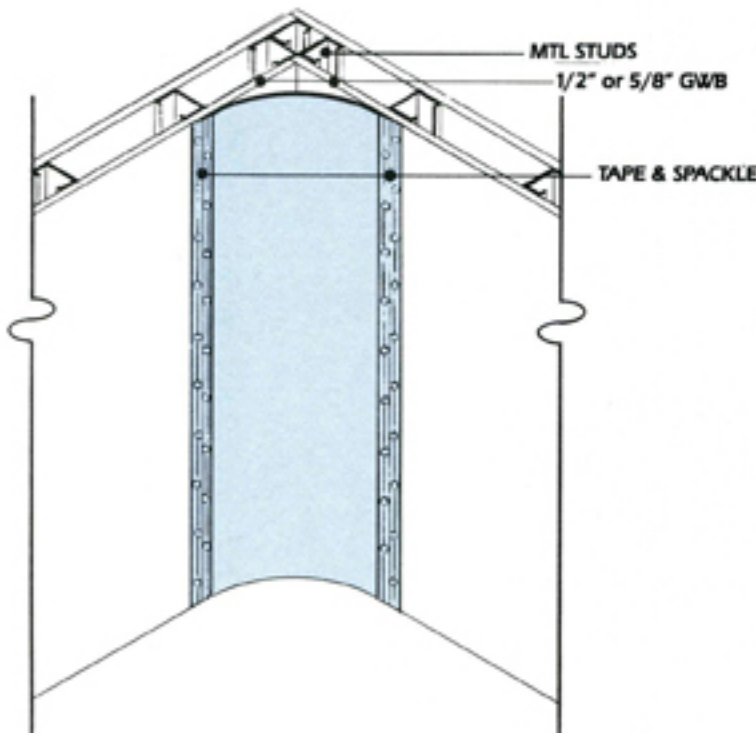
DETAILS Large Inside Radius Corners DLIR-T, produce flowing curved 90 degree corners. Available in any required radius from a 4" minimum to an unlimited maximum in any dimensional increment. DLIR-Ts are easily installed either vertically or horizontally. The taped fins can also be formed to suit individual requirements. For use with conventional metal or wood studs and 1/2" or 5/8" gypsum drywall board construction. To insure proper installation, screws attaching **DETAILS** components must engage with the stud substructure.

For Ordering

Specify **DETAILS** components by item number below.

ITEM NUMBER

DLIR (Specify Radius) T



As manufactured by:

MILGO/BUFKIN

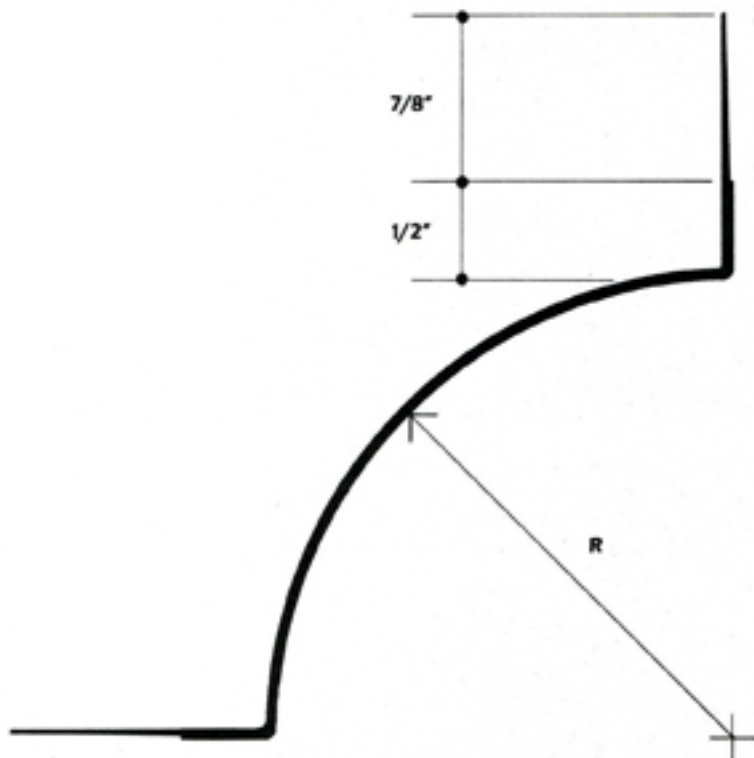
68 Lombardy Street, Brooklyn, New York 11222
(718) 388-6476 Telefax (718) 963-0614

© 1987 Milgo Industrial Inc. Revised 1991

RC 2.0

DETAILS the definitive solution to detailing and installation/execution problems. A full line of standard metal components for the drywall and acoustical trade. All **DETAILS** components are available in standard lengths of 96", 120", 144" plus or minus 1/16". Custom shapes and sizes are also available. Factory prepared joints are recommended when installed lengths require butting of **DETAILS** components. Pre-mitered and assembled corners and intersections are also available. Please contact our nearest representative for further information.

DETAILS™



DLIR

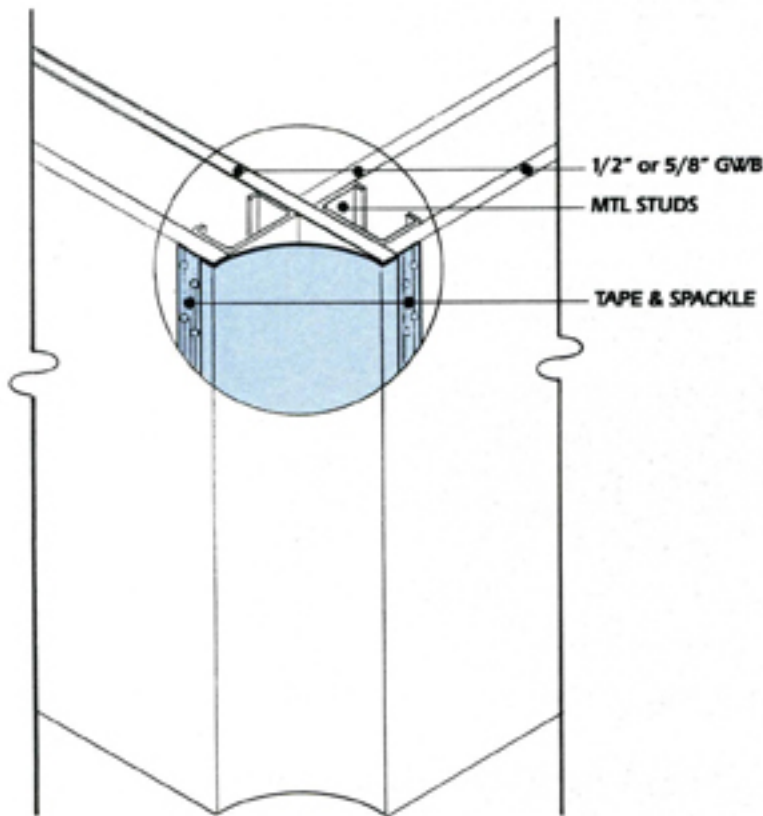
LARGE INSIDE RADIUS CORNER PERPENDICULAR FIN

Guide Specification

Large Inside Radius Corner-Perpendicular Fins shall be **DETAILS DLIR-P** as manufactured by MILGO/BUFKIN. The formed metal sections shall incorporate an integral offset, punched with staggered holes for screw attachment to conventionally installed gypsum drywall. To insure proper installation, screws must engage with the wood or metal stud sub-structure. Metal surfaces are to be supplied shop primed ready for finishing with a corrosion-inhibiting coating compatible with materials commonly used in interior construction. All joints are to be taped, floated and sanded smooth prior to final finishing. (It is recommended that self-adhesive fiberglass scrim tape be used.) MILGO/BUFKIN as manufacturer reserves the right to change and modify the design and manufacture of **DETAILS** components as part of its ongoing product improvement programs.

Physical Properties

Material.....	Aluminum
Fire Rating (NFPA No. 101).....	Class A
Flame Spread.....	0
Smoke Developed.....	0
Fuel Contributed.....	0
Finish.....	Paint Ready



Installation Detail

DETAILS Large Inside Radius Corners DLIR-P, produce flowing curved 90 degree corners. Available in any required radius from a 4" minimum to an unlimited maximum in any dimensional increment. DLIR-Ps are easily installed either vertically or horizontally. The taped fins can also be formed to suit individual requirements. For use with conventional metal or wood studs and 1/2" or 5/8" gypsum drywall board construction. To insure proper installation, screws attaching **DETAILS** components must engage with the stud substructure.

For Ordering

Specify **DETAILS** components by item number below.

ITEM NUMBER

DLIR (Specify Radius) P

As manufactured by:

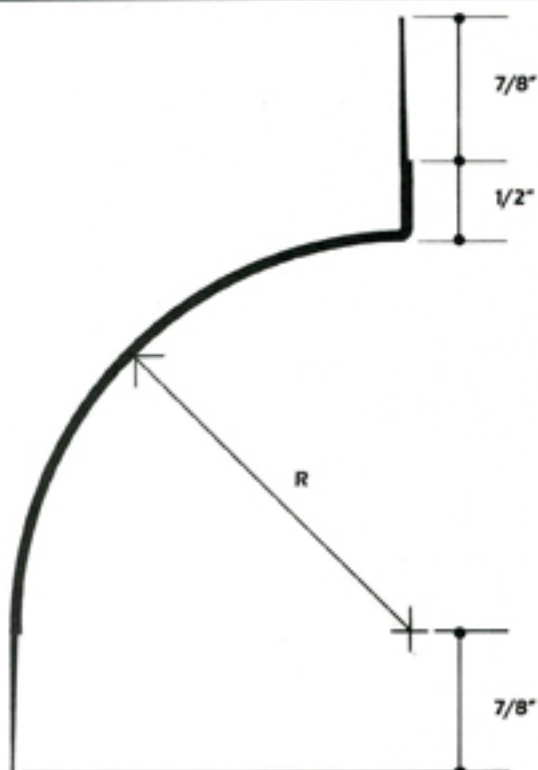
MILGO/BUFKIN

68 Lombardy Street, Brooklyn, New York 11222
 (718) 388-6476 Telefax (718) 963-0614

© 1987 Milgo Industrial Inc. Revised 1991

DETAILS the definitive solution to detailing and installation/execution problems. A full line of standard metal components for the drywall and acoustical trade. All **DETAILS** components are available in standard lengths of 96", 120", 144" plus or minus 1/16". Custom shapes and sizes are also available. Factory prepared joints are recommended when installed lengths require butting of **DETAILS** components. Pre-mitered and assembled corners and intersections are also available. Please contact our nearest representative for further information.

DETAILS™



DLIR

LARGE INSIDE RADIUS CORNER PERPENDICULAR/TANGENT FINS

Guide Specification

Large Inside Radius Corner-Perpendicular/Tangent Fins shall be **DETAILS DLIR-PT** as manufactured by MILGO/BUFKIN. The formed metal sections shall incorporate an integral offset, punched with staggered holes for screw attachment to conventionally installed gypsum drywall. To insure proper installation, screws must engage with the wood or metal stud sub-structure. Metal surfaces are to be supplied shop primed ready for finishing with a corrosion-inhibiting coating compatible with materials commonly used in interior construction. All joints are to be taped, floated and sanded smooth prior to final finishing. (It is recommended that self-adhesive fiberglass scrim tape be used.) MILGO/BUFKIN as manufacturer reserves the right to change and modify the design and manufacture of **DETAILS** components as part of its ongoing product improvement programs.

Physical Properties

Material.....	Aluminum
Fire Rating (NFPA No. 101).....	Class A
Flame Spread.....	0
Smoke Developed.....	0
Fuel Contributed.....	0
Finish.....	Paint Ready

Installation Detail

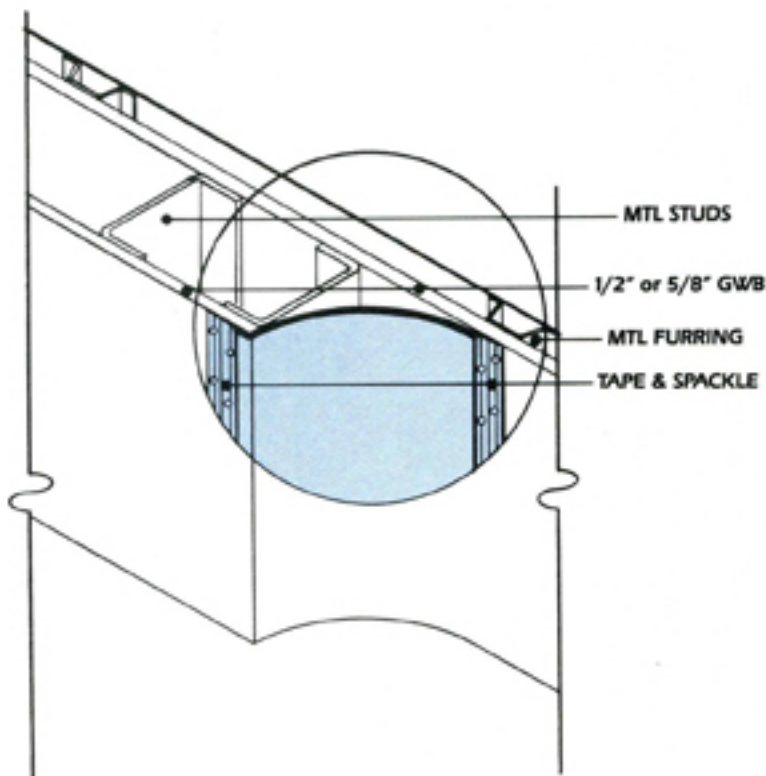
DETAILS Large Inside Radius Corners DLIR-PT, produce flowing curved 90 degree corners. Available in any required radius from a 4" minimum to an unlimited maximum in any dimensional increment. DLIR-PTs are easily installed either vertically or horizontally. The taped fins can be formed to suit individual requirements. For use with conventional metal or wood studs and 1/2" or 5/8" gypsum drywall board construction. To insure proper installation, screws attaching **DETAILS** components must engage with the stud substructure.

For Ordering

Specify **DETAILS** components by item number below.

ITEM NUMBER

DLIR (Specify Radius) P/T



As manufactured by:

MILGO/BUFKIN

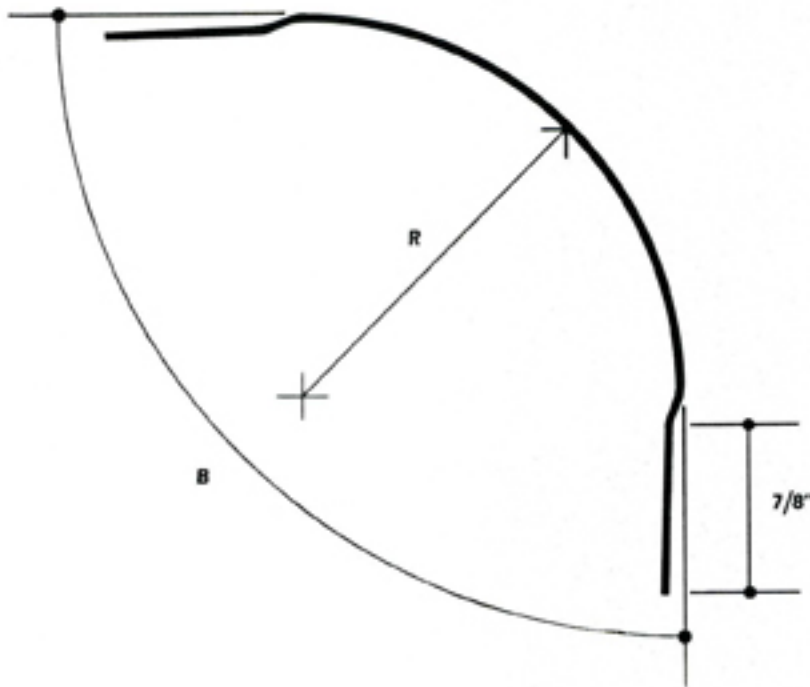
68 Lombardy Street, Brooklyn, New York 11222
(718) 388-6476 Telefax (718) 963-0614

© 1987 Milgo Industrial Inc. Revised 1991

RC 2.2

DETAILS the definitive solution to detailing and installation/execution problems. A full line of standard metal components for the drywall and acoustical trade. All **DETAILS** components are available in standard lengths of 96", 120", 144" plus or minus 1/16". Custom shapes and sizes are also available. Factory prepared joints are recommended when installed lengths require butting of **DETAILS** components. Pre-mitered and assembled corners and intersections are also available. Please contact our nearest representative for further information.

DETAILS™



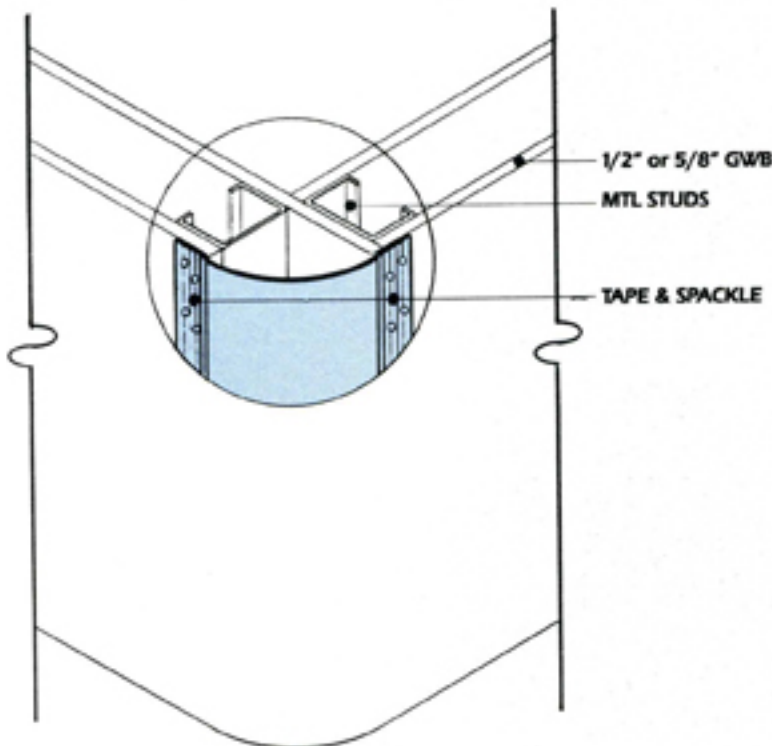
DOR OUTSIDE RADIUS CORNERS

Guide Specification

Outside Radius Corners shall be **DETAILS** DOR as manufactured by MILGO/BUFKIN. The formed metal sections shall incorporate an integral offset, punched with staggered holes for screw attachment to conventionally installed gypsum drywall. To insure proper installation, screws must engage with the wood or metal stud sub-structure. Metal surfaces are to be supplied shop primed ready for finishing with a corrosion-inhibiting coating compatible with materials commonly used in interior construction. All joints are to be taped, floated and sanded smooth prior to final finishing. (It is recommended that self-adhesive fiberglass scrim tape be used.) MILGO/BUFKIN as manufacturer reserves the right to change and modify the design and manufacture of **DETAILS** components as part of its ongoing product improvement programs.

Physical Properties

Material.....	Aluminum/Steel
Fire Rating (NFPA No. 101).....	Class A
Flame Spread.....	0
Smoke Developed.....	0
Fuel Contributed.....	0
Finish.....	Paint Ready



Installation Detail

DETAILS Outside Radius Corners DOR, produce flowing curved 90 degree corners. Outside Radius Corners in various dimensions can be used either vertically or horizontally at the intersection of two drywall board planes. For use with conventional metal or wood studs and 1/2" or 5/8" gypsum drywall board construction. To insure proper installation, screws attaching **DETAILS** components must engage with the stud substructure.

For Ordering

Specify **DETAILS** components by item number below.

ITEM NUMBERS	R"	B"
DOR 063/90	5/8	90
DOR 075/90	3/4	90
DOR 100/90	1	90
DOR 150/90	1½	90
DOR 200/90	2	90
DOR 250/90	2½	90
DOR 300/90	3	90
DOR 400/90	4	90
DOR 600/90	6	90
DOR 800/90	8	90
DOR 900/90	9	90

JOB SPECIFIC

For dimensions not included above please specify job requirements

DOR R / B

As manufactured by:

MILGO/BUFKIN

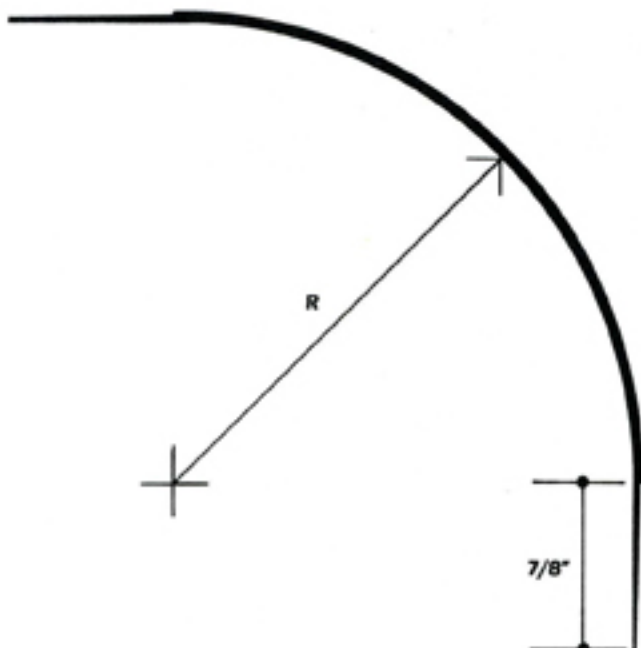
68 Lombardy Street, Brooklyn, New York 11222
(718) 388-6476 Telefax (718) 963-0614

© 1987 Milgo Industrial Inc. Revised 1991

RC 3.0

DETAILS the definitive solution to detailing and installatory/execution problems. A full line of standard metal components for the drywall and acoustical trade. All **DETAILS** components are available in standard lengths of 96", 120", 144" plus or minus 1/16". Custom shapes and sizes are also available. Factory prepared joints are recommended when installed lengths require butting of **DETAILS** components. Pre-mitered and assembled corners and intersections are also available. Please contact our nearest representative for further information.

DETAILS™



DLOR

LARGE OUTSIDE RADIUS CORNER TANGENT FIN

Guide Specification

Large Outside Radius Corner-Tangent Fins shall be **DETAILS** DLOR-T as manufactured by MILGO/BUFKIN. The formed metal sections shall incorporate an integral offset, punched with staggered holes for screw attachment to conventionally installed gypsum drywall. To insure proper installation, screws must engage with the wood or metal stud sub-structure. Metal surfaces are to be supplied shop primed ready for finishing with a corrosion-inhibiting coating compatible with materials commonly used in interior construction. All joints are to be taped, floated and sanded smooth prior to final finishing. [It is recommended that self-adhesive fiberglass scrim tape be used.] MILGO/BUFKIN as manufacturer reserves the right to change and modify the design and manufacture of **DETAILS** components as part of its ongoing product improvement programs.

Physical Properties

Material.....	Aluminum
Fire Rating (NFPA No. 101).....	Class A
Flame Spread.....	0
Smoke Developed.....	0
Fuel Contributed.....	0
Finish.....	Paint Ready

Installation Detail

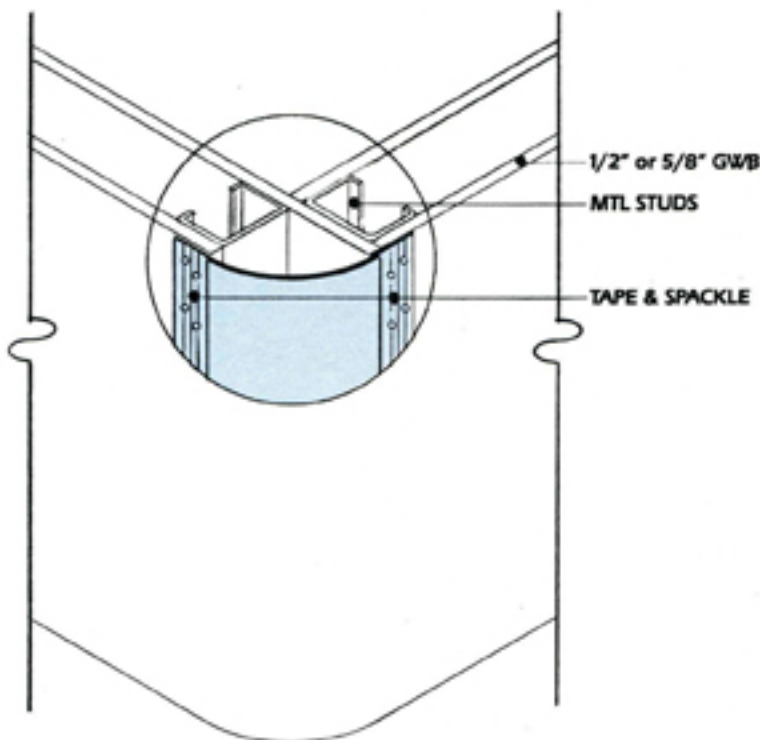
DETAILS Large Outside Radius Corners DLOR-T, produce flowing curved 90 degree corners. Available in any required radius from a 4" minimum to an unlimited maximum in any dimensional increment. DLOR-Ts are easily installed either vertically or horizontally. The tapered fins can also be formed to suit individual requirements. For use with conventional metal or wood studs and 1/2" or 5/8" gypsum drywall board construction. To insure proper installation, screws attaching **DETAILS** components must engage with the stud substructure.

For Ordering

Specify **DETAILS** components by item number below.

ITEM NUMBER

DLOR (Specify Radius) T



As manufactured by:

MILGO/BUFKIN

68 Lombardy Street, Brooklyn, New York 11222

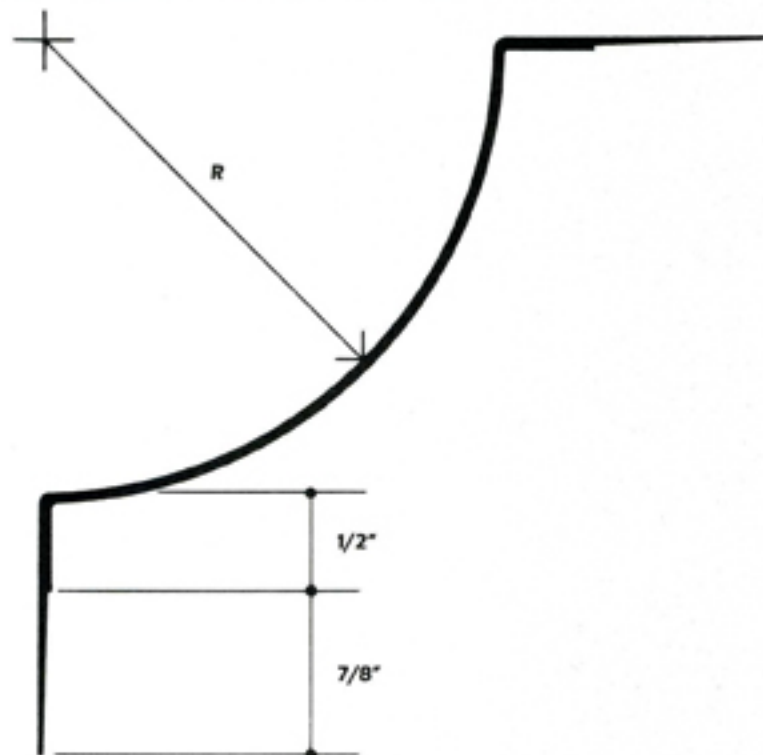
(718) 388-6476 Telefax (718) 963-0614

© 1987 Milgo Industrial Inc. Revised 1991

RC 4.0

DETAILS the definitive solution to detailing and installation/execution problems. A full line of standard metal components for the drywall and acoustical trade. All **DETAILS** components are available in standard lengths of 96", 120", 144" plus or minus 1/16". Custom shapes and sizes are also available. Factory prepared joints are recommended when installed lengths require butting of **DETAILS** components. Pre-mitered and assembled corners and intersections are also available. Please contact our nearest representative for further information.

DETAILS™



DLOR

LARGE OUTSIDE RADIUS CORNER PERPENDICULAR FINNS

Guide Specification

Large Outside Radius Corner-Perpendicular Fins shall be **DETAILS DLOR-P** as manufactured by MILGO/BUFKIN. The formed metal sections shall incorporate an integral offset, punched with staggered holes for screw attachment to conventionally installed gypsum drywall. To insure proper installation, screws must engage with the wood or metal stud sub-structure. Metal surfaces are to be supplied shop primed ready for finishing with a corrosion-inhibiting coating compatible with materials commonly used in interior construction. All joints are to be taped, floated and sanded smooth prior to final finishing. (It is recommended that self-adhesive fiberglass scrim tape be used.) MILGO/BUFKIN as manufacturer reserves the right to change and modify the design and manufacture of **DETAILS** components as part of its ongoing product improvement program.

Physical Properties

Material.....	Aluminum
Fire Rating (NFPA No. 101).....	Class A
Flame Spread.....	0
Smoke Developed.....	0
Fuel Contributed.....	0
Finish.....	Paint Ready

Installation Detail

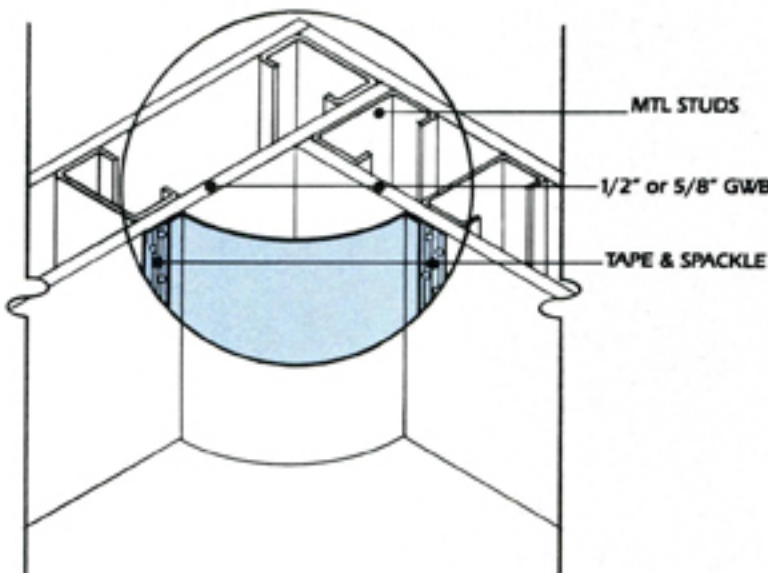
DETAILS Large Outside Radius Corners DLOR-P, produce flowing curved 90 degree corners. Available in any required radius from a 4" minimum to an unlimited maximum in any dimensional increment. DLOR-PTs are easily installed either vertically or horizontally. The tapered fins can also be formed to suit individual requirements. For use with conventional metal or wood studs and 1/2" or 5/8" gypsum drywall board construction. To insure proper installation, screws attaching **DETAILS** components must engage with the stud substructure.

For Ordering

Specify **DETAILS** components by item number below.

ITEM NUMBER

DLOR (Specify Radius) P



As manufactured by:

MILGO/BUFKIN

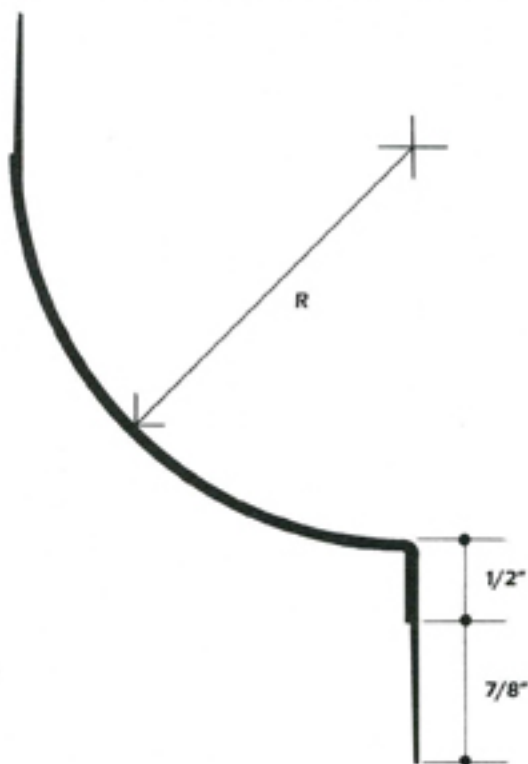
68 Lombardy Street, Brooklyn, New York 11222
(718) 388-6476 Telefax (718) 963-0614

© 1987 Milgo Industrial Inc. Revised 1991

RC 4.1

DETAILS the definitive solution to detailing and installation/execution problems. A full line of standard metal components for the drywall and acoustical trade. All **DETAILS** components are available in standard lengths of 96", 120", 144" plus or minus 1/16". Custom shapes and sizes are also available. Factory prepared joints are recommended when installed lengths require butting of **DETAILS** components. Pre-mitered and assembled corners and intersections are also available. Please contact our nearest representative for further information.

DETAILS™



DLOR

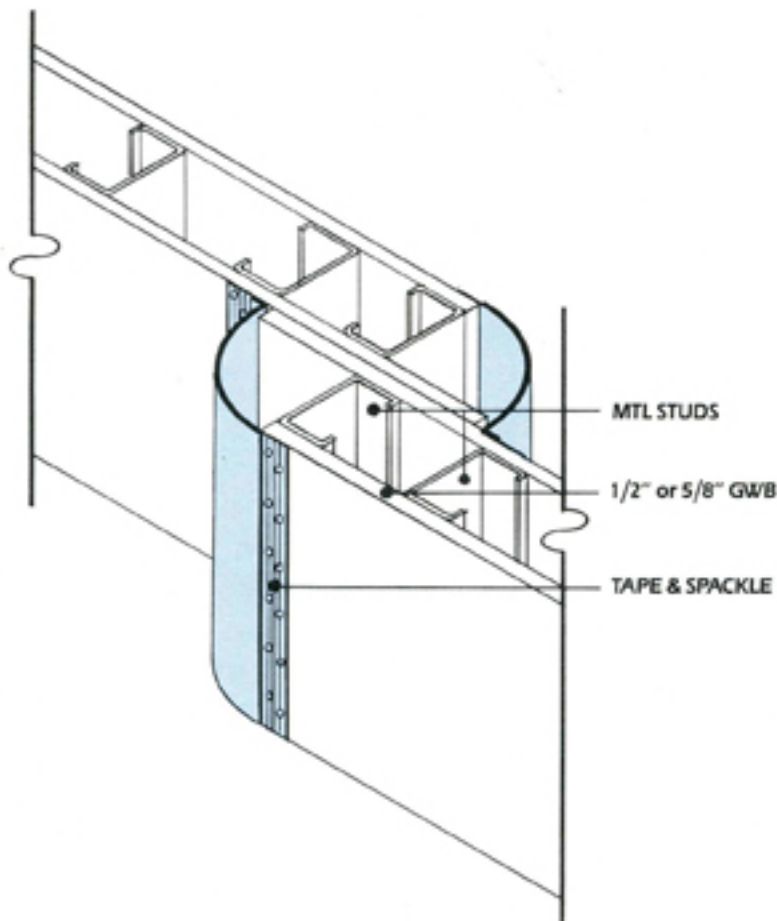
LARGE OUTSIDE RADIUS CORNER PERPENDICULAR/TANGENT FINS

Guide Specification

Large Outside Radius Corner-Perpendicular/Tangent Fins shall be **DETAILS DLOR-PT** as manufactured by MILGO/BUFKIN. The formed metal sections shall incorporate an integral offset, punched with staggered holes for screw attachment to conventionally installed gypsum drywall. To insure proper installation, screws must engage with the wood or metal stud sub-structure. Metal surfaces are to be supplied shop primed ready for finishing with a corrosion-inhibiting coating compatible with materials commonly used in interior construction. All joints are to be taped, floated and sanded smooth prior to final finishing. (It is recommended that self-adhesive fiberglass scrim tape be used.) MILGO/BUFKIN as manufacturer reserves the right to change and modify the design and manufacture of **DETAILS** components as part of its ongoing product improvement programs.

Physical Properties

Material.....	Aluminum
Fire Rating (NFPA No. 101).....	Class A
Flame Spread.....	0
Smoke Developed.....	0
Fuel Contributed.....	0
Finish.....	Paint Ready



Installation Detail

DETAILS Large Outside Radius Corners DLOR-PT, produce flowing curved 90 degree corners. Available in any required radius from a 4" minimum to an unlimited maximum in any dimensional increment. DLOR-PTs are easily installed either vertically or horizontally. The tapered fins can also be formed to suit individual requirements. For use with conventional metal or wood studs and 1/2" or 5/8" gypsum drywall board construction. To insure proper installation, screws attaching **DETAILS** components must engage with the stud substructure.

For Ordering

Specify **DETAILS** components by item number below.

ITEM NUMBER

DLOR (Specify Radius) P/T

As manufactured by:

MILGO/BUFKIN

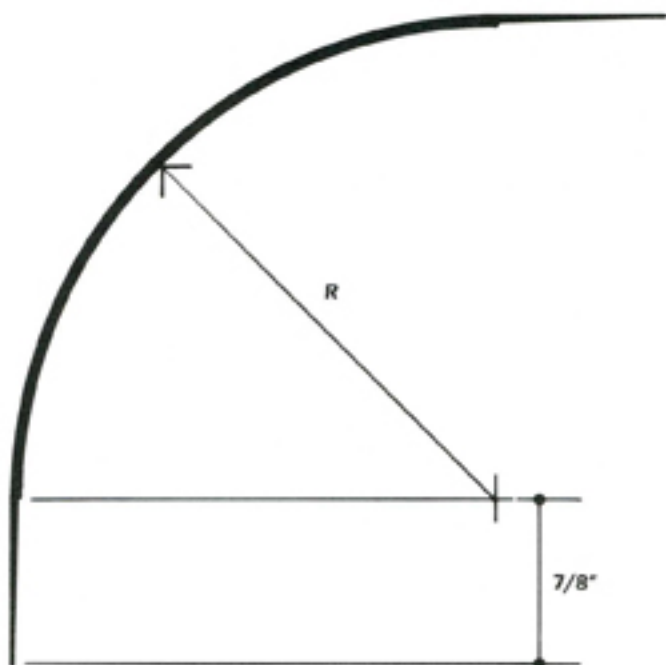
68 Lombardy Street, Brooklyn, New York 11222
(718) 388-6476 Telefax (718) 963-0614

© 1987 Milgo Industrial Inc. Revised 1991

RC 4.2

DETAILS the definitive solution to detailing and installation/execution problems. A full line of standard metal components for the drywall and acoustical trade. All **DETAILS** components are available in standard lengths of 96", 120", 144" plus or minus 1/16". Custom shapes and sizes are also available. Factory prepared joints are recommended when installed lengths require butting of **DETAILS** components. Pre-mitered and assembled corners and intersections are also available. Please contact our nearest representative for further information.

DETAILS™



DLIRC

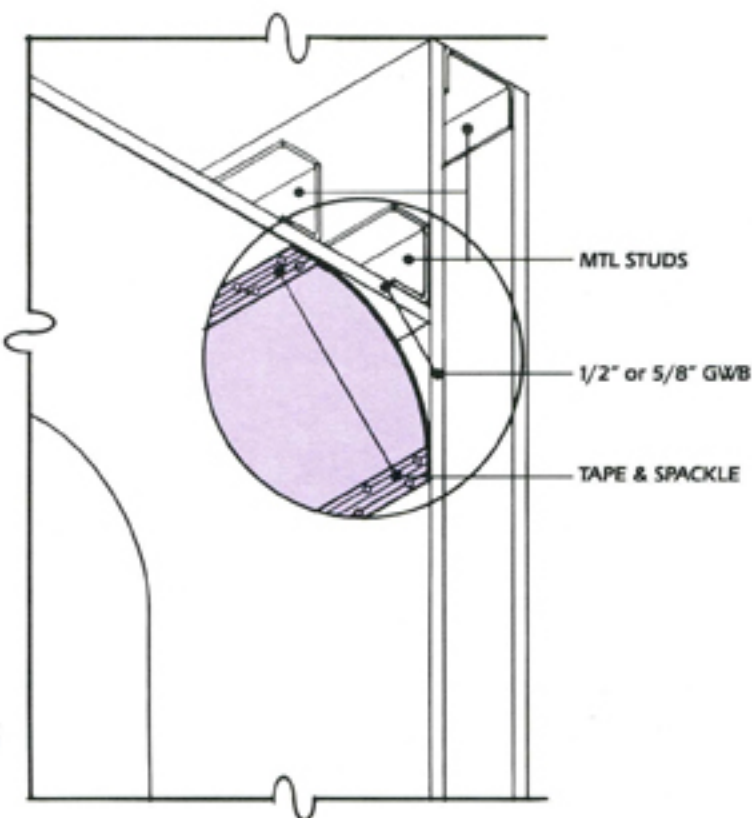
LARGE INSIDE RADIUS COVE TANGENT FIN

Guide Specification

Large Inside Radius Cove-Tangent shall be **DETAILS** DLIRC-T as manufactured by MILGO/BUFKIN. The formed metal sections shall incorporate an integral offset, punched with staggered holes for screw attachment to conventionally installed gypsum drywall. To insure proper installation, screws must engage with the wood or metal stud sub-structure. Metal surfaces are to be supplied shop primed ready for finishing with a corrosion-inhibiting coating compatible with materials commonly used in interior construction. All joints are to be taped, floated and sanded smooth prior to final finishing. (It is recommended that self-adhesive fiberglass scrim tape be used.) MILGO/BUFKIN as manufacturer reserves the right to change and modify the design and manufacture of **DETAILS** components as part of its ongoing product improvement programs.

Physical Properties

Material.....	Aluminum
Fire Rating (NFPA No. 101).....	Class A
Flame Spread.....	0
Smoke Developed.....	0
Fuel Contributed.....	0
Finish.....	Paint Ready



Installation Detail

DETAILS Large Inside Radius Ceiling Coves DLIRC-T are used to make a transition between the horizontal plane at the ceiling and the vertical plane of the wall. Available in virtually any radius, these components insure a smooth and even finished product. The tapered edges can be formed to fit specific job conditions. Inside and outside prefabricated mitered corners are also available. For use with conventional metal or wood studs and 1/2" or 5/8" gypsum drywall board construction. To insure proper installation, screws attaching **DETAILS** components must engage with the stud substructure.

For Ordering

Specify **DETAILS** components by item number below.

ITEM NUMBER

DLIRC (Specify Radius) T

As manufactured by:

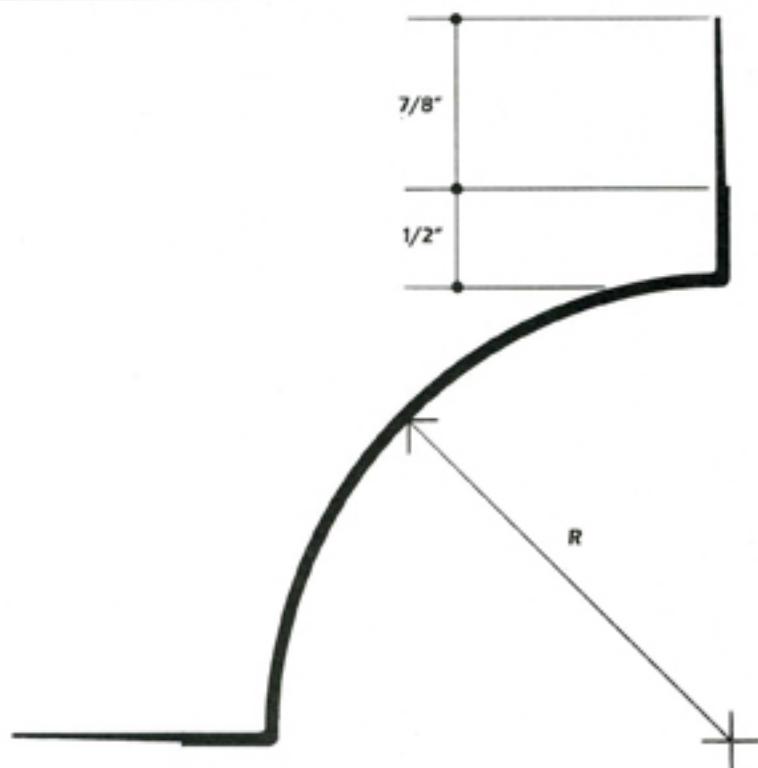
MILGO/BUFKIN

68 Lombardy Street, Brooklyn, New York 11222
(718) 388-6476 Telefax (718) 963-0614

© 1987 Milgo Industrial Inc. Revised 1991

DETAILS the definitive solution to detailing and installation/execution problems. A full line of standard metal components for the drywall and acoustical trade. All **DETAILS** components are available in standard lengths of 96", 120", 144" plus or minus 1/16". Custom shapes and sizes are also available. Factory prepared joints are recommended when installed lengths require butting of **DETAILS** components. Pre-mitered and assembled corners and intersections are also available. Please contact our nearest representative for further information.

DETAILS™



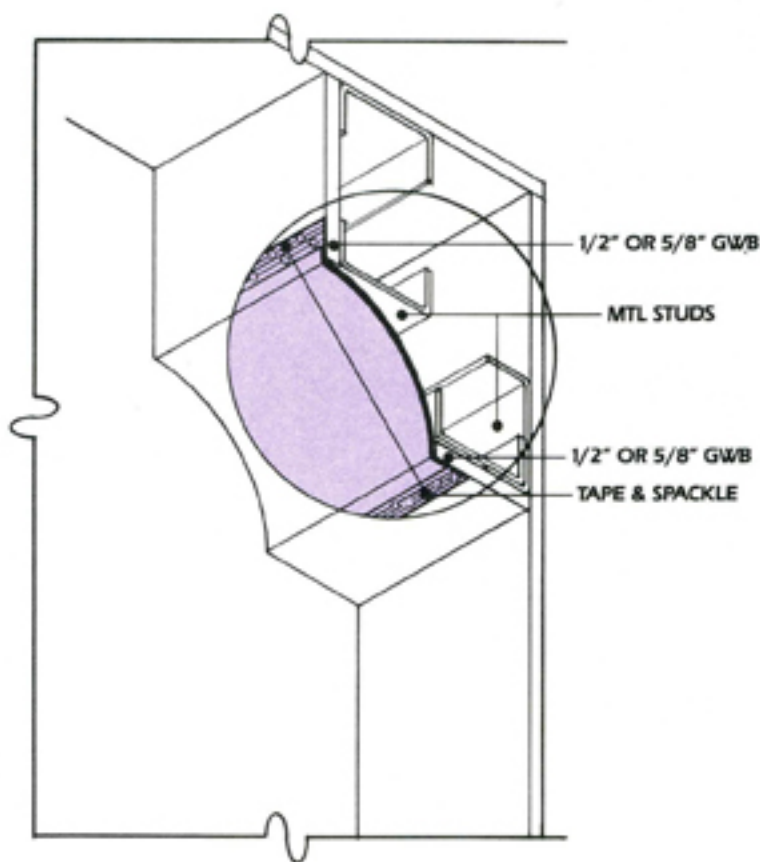
DLIRC LARGE INSIDE RADIUS COVE PERPENDICULAR FINS

Guide Specification

Large Inside Radius Cove-Perpendicular shall be **DETAILS** DLIRC-P as manufactured by MILGO/BUFKIN. The formed metal sections shall incorporate an integral offset, punched with staggered holes for screw attachment to conventionally installed gypsum drywall. To insure proper installation, screws must engage with the wood or metal stud sub-structure. Metal surfaces are to be supplied shop primed ready for finishing with a corrosion-inhibiting coating compatible with materials commonly used in interior construction. All joints are to be taped, floated and sanded smooth prior to final finishing. (It is recommended that self-adhesive fiberglass scrim tape be used.) MILGO/BUFKIN as manufacturer reserves the right to change and modify the design and manufacture of **DETAILS** components as part of its ongoing product improvement programs.

Physical Properties

Material.....	Aluminum
Fire Rating (NFPA No. 101).....	Class A
Flame Spread.....	0
Smoke Developed.....	0
Fuel Contributed.....	0
Finish.....	Paint Ready



Installation Detail

DETAILS Large Inside Radius Ceiling Coves DLIRC-P are used to make a transition between the horizontal plane at the ceiling and the vertical plane of the wall. Available in virtually any radius, these components insure a smooth and even finished product. The tapered edges can be formed to fit specific job conditions. Inside and outside prefabricated mitered corners are also available. For use with conventional metal or wood studs and 1/2" or 5/8" gypsum drywall construction. To insure proper installation, screws attaching **DETAILS** components must engage with the stud substructure.

For Ordering

Specify **DETAILS** components by item number below.

ITEM NUMBER

DLIRC (Specify Radius) P

As manufactured by:

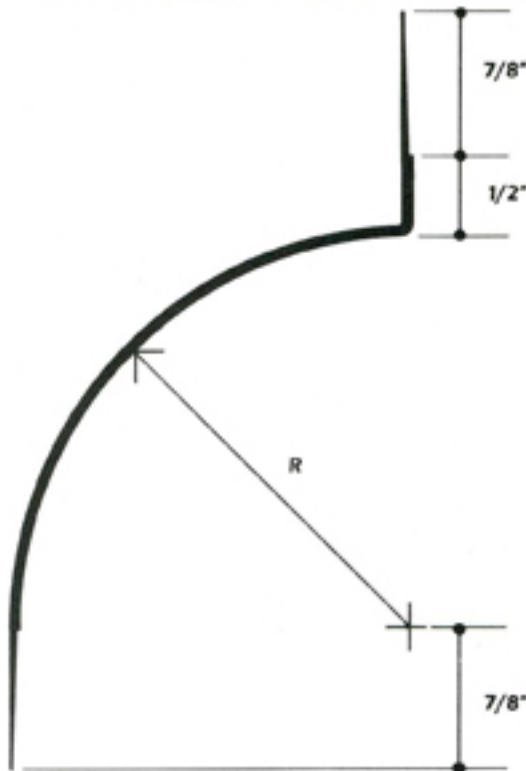
MILGO/BUFKIN

68 Lombardy Street, Brooklyn, New York 11222
(718) 388-6476 Telefax (718) 963-0614

© 1987 Milgo Industrial Inc. Revised 1991

DETAILS the definitive solution to detailing and installation/execution problems. A full line of standard metal components for the drywall and acoustical trade. All **DETAILS** components are available in standard lengths of 96", 120", H44" plus or minus 1/16". Custom shapes and sizes are also available. Factory prepared joints are recommended when installed lengths require butting of **DETAILS** components. Pre-mitered and assembled corners and intersections are also available. Please contact our nearest representative for further information.

DETAILS™



DLIRC

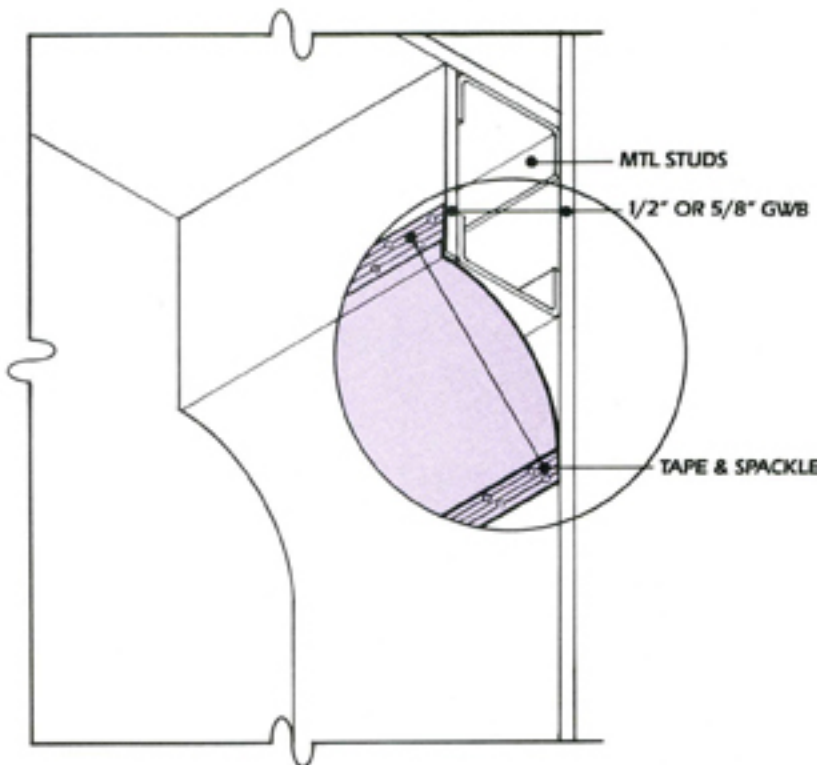
LARGE INSIDE RADIUS COVE PERPENDICULAR/TANGENT FINS

Guide Specification

Large Inside Radius Cove-Perpendicular/Tangent Fins shall be **DETAILS** DLIRC-PT as manufactured by MILGO/BUFKIN. The formed metal sections shall incorporate an integral offset, punched with staggered holes for screw attachment to conventionally installed gypsum drywall. To insure proper installation, screws must engage with the wood or metal stud sub-structure. Metal surfaces are to be supplied shop primed ready for finishing with a corrosion-inhibiting coating compatible with materials commonly used in interior construction. All joints are to be taped, floated and sanded smooth prior to final finishing. (It is recommended that self-adhesive fiberglass scrim tape be used.) MILGO/BUFKIN as manufacturer reserves the right to change and modify the design and manufacture of **DETAILS** components as part of its ongoing product improvement programs.

Physical Properties

Material.....	Aluminum
Fire Rating (NFPA No. 101).....	Class A
Flame Spread.....	0
Smoke Developed.....	0
Fuel Contributed.....	0
Finish.....	Paint Ready



Installation Detail

DETAILS Large Inside Radius Ceiling Coves DLIRC-PT are used to make a transition between the horizontal plane at the ceiling and the vertical plane of the wall. Available in virtually any radius, these components insure a smooth and even finished product. The tapered edges can be formed to fit specific job conditions. Inside and outside prefabricated mitered corners are also available. For use with conventional metal or wood studs and 1/2" or 5/8" gypsum drywall board construction. To insure proper installation, screws attaching **DETAILS** components must engage with the stud substructure.

For Ordering

Specify **DETAILS** components by item number below.

ITEM NUMBER

DLIRC [Specify Radius] P/T

As manufactured by:

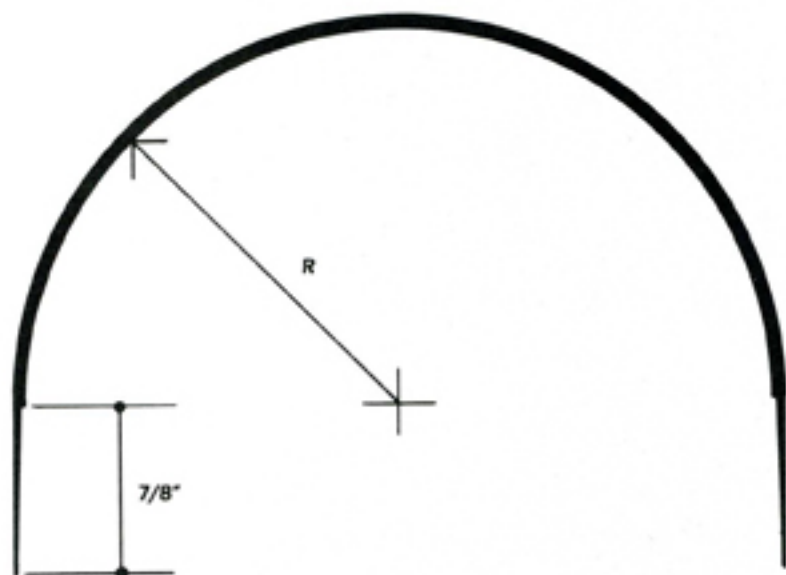
MILGO/BUFKIN

68 Lombardy Street, Brooklyn, New York 11222
(718) 388-6476 Telefax (718) 963-0614

© 1987 Milgo Industrial Inc. Revised 1991

DETAILS the definitive solution to detailing and installation/execution problems. A full line of standard metal components for the drywall and acoustical trade. All **DETAILS** components are available in standard lengths of 96", 120", 144" plus or minus 1/16". Custom shapes and sizes are also available. Factory prepared joints are recommended when installed lengths require butting of **DETAILS** components. Pre-mitered and assembled corners and intersections are also available. Please contact our nearest representative for further information.

DETAILS™



DBV

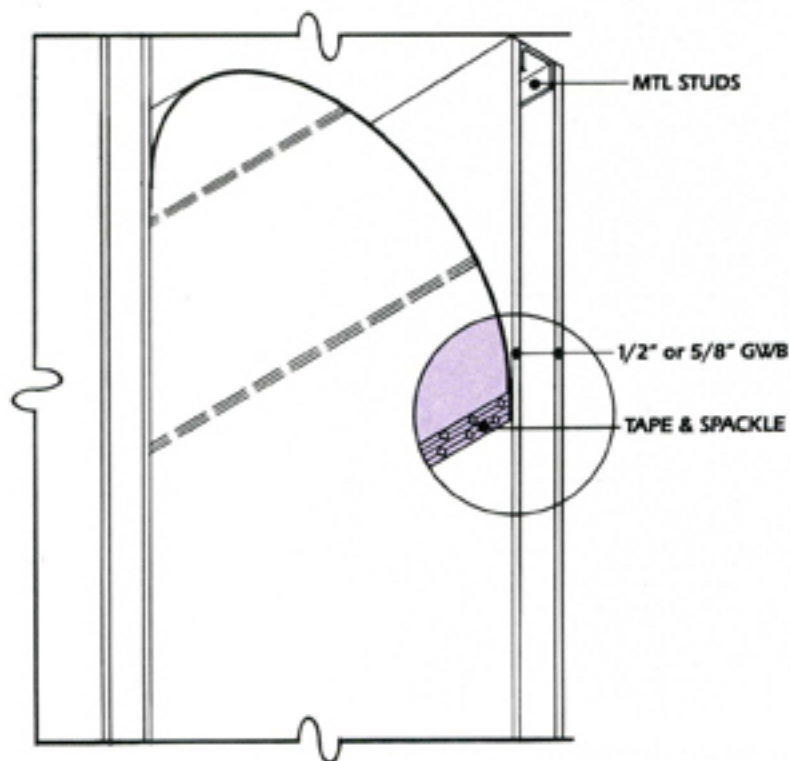
BARREL VAULT TANGENT FIN

Guide Specification

Barrel Vault-Tangent Fins shall be **DETAILS** DBV-T as manufactured by MILGO/BUFKIN. The formed metal sections shall incorporate an integral offset, punched with staggered holes for screw attachment to conventionally installed gypsum drywall. To insure proper installation, screws must engage with the wood or metal stud sub-structure. Metal surfaces are to be supplied shop primed ready for finishing with a corrosion-inhibiting coating compatible with materials commonly used in interior construction. All joints are to be taped, floated and sanded smooth prior to final finishing. (It is recommended that self-adhesive fiberglass scrim tape be used.) MILGO/BUFKIN as manufacturer reserves the right to change and modify the design and manufacture of **DETAILS** components as part of its ongoing product improvement programs.

Physical Properties

Material.....	Aluminum
Fire Rating (NFPA No. 101).....	Class A
Flame Spread.....	0
Smoke Developed.....	0
Fuel Contributed.....	0
Finish.....	Paint Ready



Installation Detail

DETAILS Barrel Vaults DBV-T allow the formation of a continuous curved vaulted ceiling. Precurved sections are joined together through tapered edges and factory applied back splices. Additional hanger supports will be supplied when the size of the units so warrant. For use with conventional metal or wood studs and 1/2" or 5/8" gypsum drywall board construction. To insure proper installation, screws attaching **DETAILS** components must engage with the stud substructure.

For Ordering

Specify **DETAILS** components by item number below.

ITEM NUMBER

DBV (Specify Radius) T

As manufactured by:

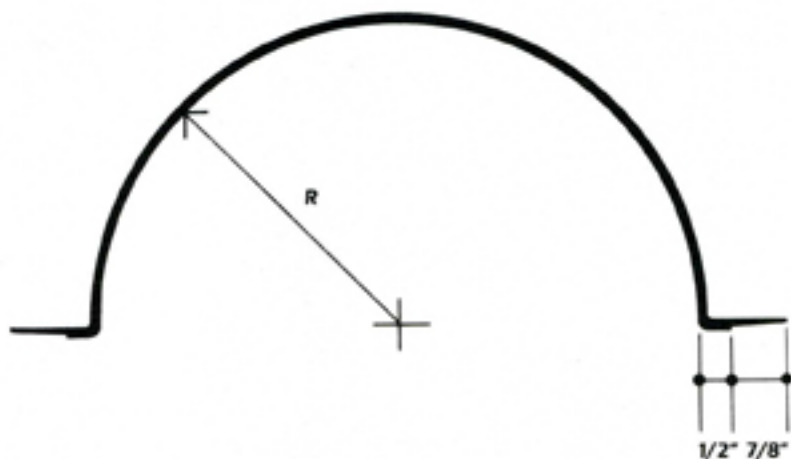
MILGO/BUFKIN

68 Lombardy Street, Brooklyn, New York 11222
(718) 388-6476 Telefax (718) 963-0614

© 1987 Milgo Industrial Inc. Revised 1991

DETAILS the definitive solution to detailing and installation/execution problems. A full line of standard metal components for the drywall and acoustical trade. All **DETAILS** components are available in standard lengths of 96", 120", 144" plus or minus 1/16". Custom shapes and sizes are also available. Factory prepared joints are recommended when installed lengths require butting of **DETAILS** components. Pre-mitered and assembled corners and intersections are also available. Please contact our nearest representative for further information.

DETAILS™



DBV

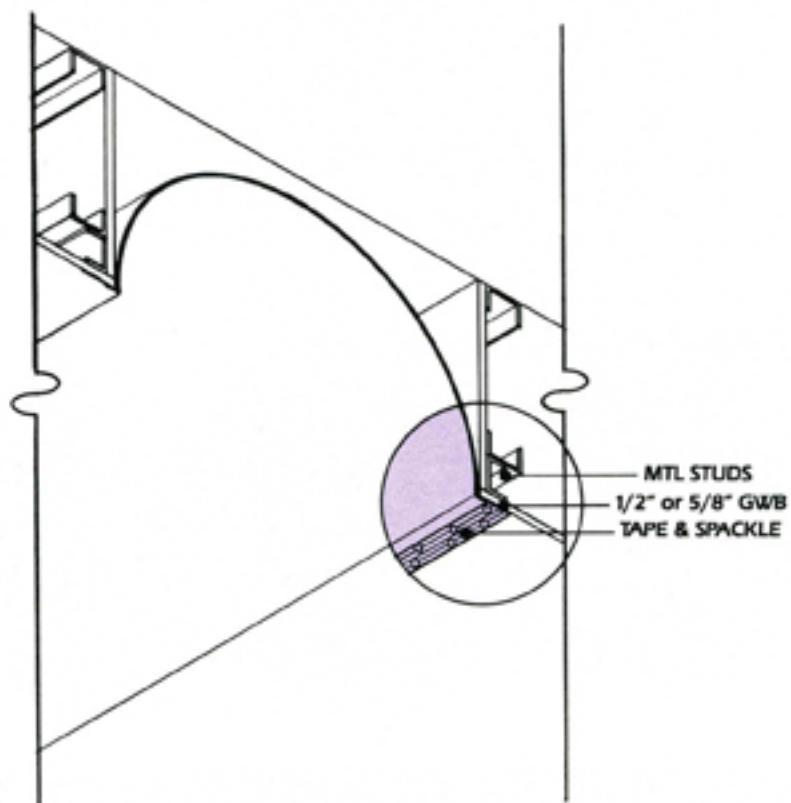
BARREL VAULT PERPENDICULAR FINNS

Guide Specification

Barrel Vault-Perpendicular Fins shall be **DETAILS** DBV-P as manufactured by MILGO/BUFKIN. The formed metal sections shall incorporate an integral offset, punched with staggered holes for screw attachment to conventionally installed gypsum drywall. To insure proper installation, screws must engage with the wood or metal stud sub-structure. Metal surfaces are to be supplied shop primed ready for finishing with a corrosion-inhibiting coating compatible with materials commonly used in interior construction. All joints are to be taped, floated and sanded smooth prior to final finishing. (It is recommended that self-adhesive fiberglass scrim tape be used.) MILGO/BUFKIN as manufacturer reserves the right to change and modify the design and manufacture of **DETAILS** components as part of its ongoing product improvement programs.

Physical Properties

Material.....	Aluminum
Fire Rating (NFPA No. 101).....	Class A
Flame Spread.....	0
Smoke Developed.....	0
Fuel Contributed.....	0
Finish.....	Paint Ready



Installation Detail

DETAILS Barrel Vaults DBV-P allow the formation of a continuous curved valuted ceiling. Precurved sections are joined together through tapered edges and factory applied back splices. Additional hanger supports will be supplied when the size of the units so warrant. For use with conventional metal or wood studs and 1/2" or 5/8" gypsum drywall board construction. To insure proper installation, screws attaching **DETAILS** components must engage with the stud substructure.

For Ordering

Specify **DETAILS** components by item number below.

ITEM NUMBER

DBV (Specify Radius) P

As manufactured by

MILGO/BUFKIN

68 Lombardy Street, Brooklyn, New York 11222
(718) 388-6476 Telefax (718) 963-0614

© 1987 Milgo Industrial Inc. Revised 1991

DETAILS the definitive solution to detailing and installation/execution problems. A full line of standard metal components for the drywall and acoustical trade. All **DETAILS** components are available in standard lengths of 96", 120", 144" plus or minus 1/16". Custom shapes and sizes are also available. Factory prepared joints are recommended when installed lengths require butting of **DETAILS** components. Pre-mitered and assembled corners and intersections are also available. Please contact our nearest representative for further information.

DETAILS™

DBV

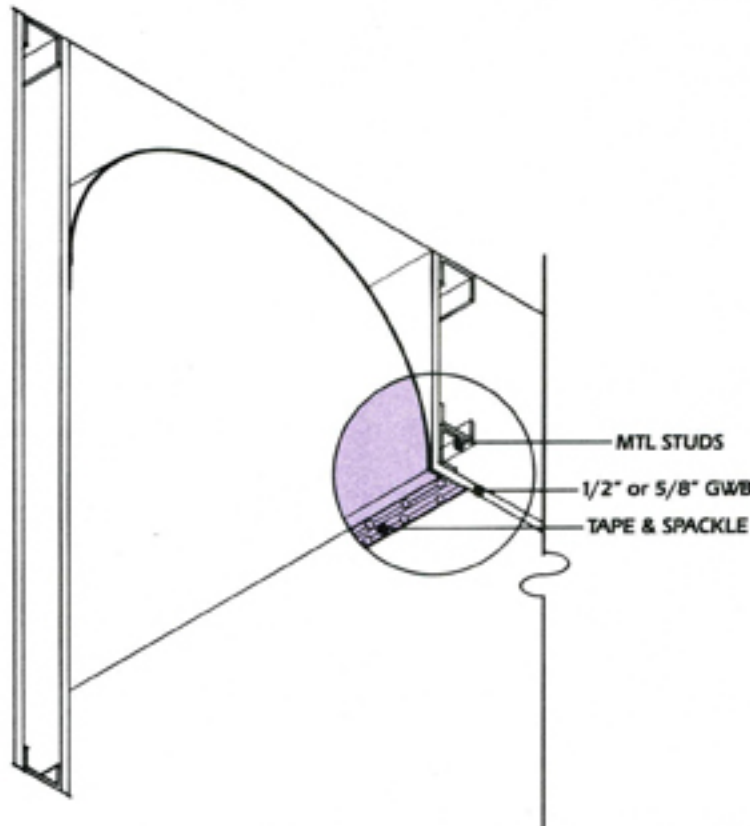
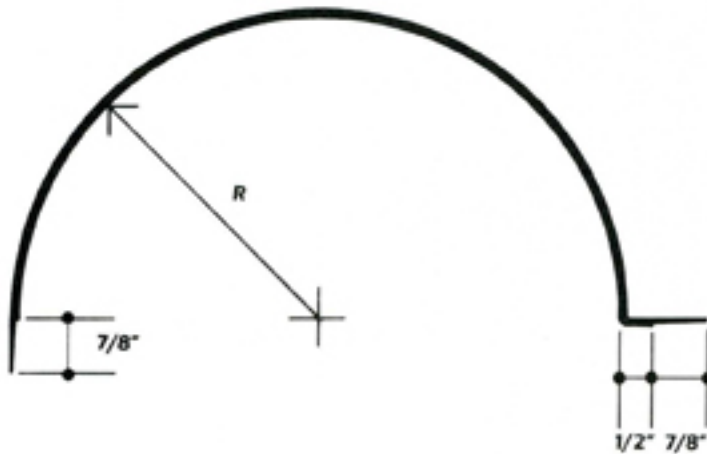
BARREL VAULT PERPENDICULAR/TANGENT FINIS

Guide Specification

Barrel Vault-Perpendicular/Tangent Fins shall be **DETAILS** DBV-PT as manufactured by MILGO/BUFKIN. The formed metal sections shall incorporate an integral offset, punched with staggered holes for screw attachment to conventionally installed gypsum drywall. To insure proper installation, screws must engage with the wood or metal stud sub-structure. Metal surfaces are to be supplied shop primed ready for finishing with a corrosion-inhibiting coating compatible with materials commonly used in interior construction. All joints are to be taped, floated and sanded smooth prior to final finishing. (It is recommended that self-adhesive fiberglass scrim tape be used.) MILGO/BUFKIN as manufacturer reserves the right to change and modify the design and manufacture of **DETAILS** components as part of its ongoing product improvement programs.

Physical Properties

Material.....	Aluminum
Fire Rating (NFPA No. 101).....	Class A
Flame Spread.....	0
Smoke Developed.....	0
Fuel Contributed.....	0
Finish.....	Paint Ready



Installation Detail

DETAILS Barrel Vaults DBV-PT allow the formation of a continuous curved vaulted ceiling. Pre-curved sections are joined together through tapered edges and factory applied back splices. Additional hanger supports will be supplied when the size of the units so warrant. For use with conventional metal or wood studs and 1/2" or 5/8" gypsum drywall board construction. To insure proper installation, screws attaching **DETAILS** components must engage with the stud substructure.

For Ordering

Specify **DETAILS** components by item number below.

ITEM NUMBER

DBV (Specify Radius) P/T

As manufactured by:

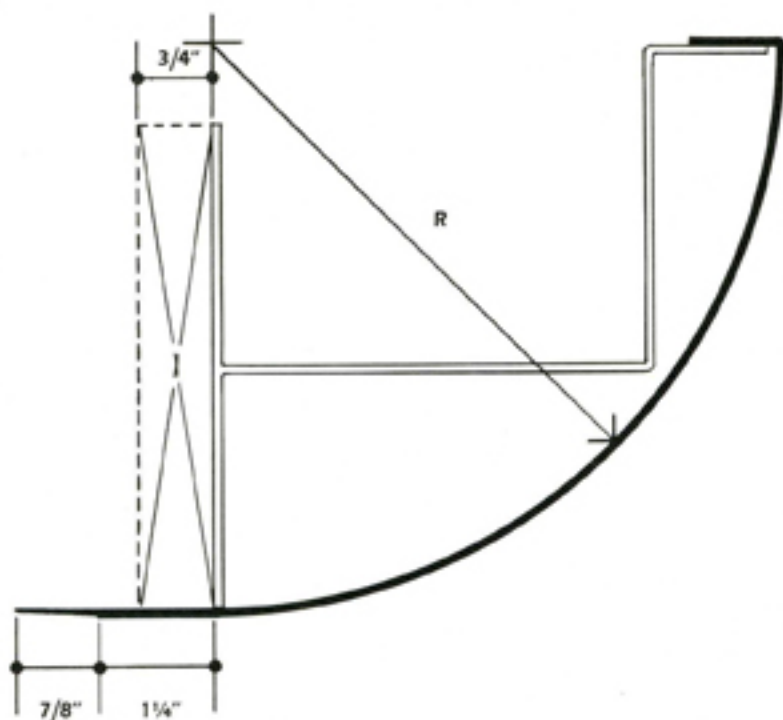
MILGO/BUFKIN

68 Lombardy Street, Brooklyn, New York 11222
(718) 388-6476 Telefax (718) 963-0614

© 1967 Milgo Industrial Inc. Revised 1991

DETAILS the definitive solution to detailing and installation/execution problems. A full line of standard metal components for the drywall and acoustical trade. All **DETAILS** components are available in standard lengths of 96", 120", 144" plus or minus 1/16". Custom shapes and sizes are also available. Factory prepared joints are recommended when installed lengths require butting of **DETAILS** components. Pre-mitered and assembled corners and intersections are also available. Please contact our nearest representative for further information.

DETAILS™



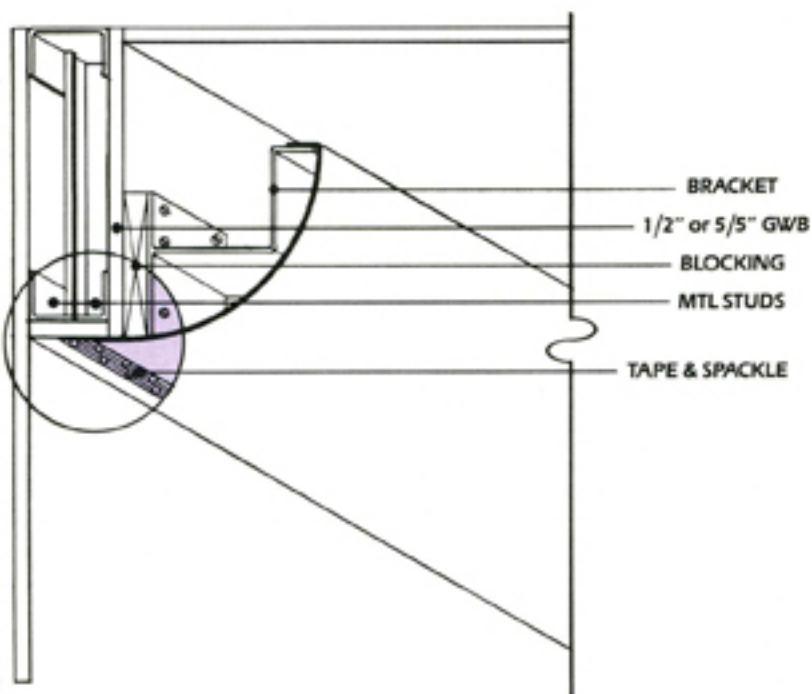
DLORP LARGE OUTSIDE RADIUS POCKET TANGENT FIN

Guide Specification

Large Outside Radius Pocket-Tangent Fin shall be **DETAILS** DLORP-T as manufactured by MILGO/BUFKIN. The formed metal sections shall incorporate an integral offset, punched with staggered holes for screw attachment to conventionally installed gypsum drywall. To insure proper installation, screws must engage with the wood or metal stud sub-structure. Metal surfaces are to be supplied shop primed ready for finishing with a corrosion-inhibiting coating compatible with materials commonly used in interior construction. All joints are to be taped, floated and sanded smooth prior to final finishing. (It is recommended that self-adhesive fiberglass scrim tape be used.) MILGO/BUFKIN as manufacturer reserves the right to change and modify the design and manufacture of **DETAILS** components as part of its ongoing product improvement program.

Physical Properties

Material.....	Aluminum
Fire Rating (NFPA No. 101).....	Class A
Flame Spread.....	0
Smoke Developed.....	0
Fuel Contributed.....	0
Finish.....	Paint Ready



Installation Detail

DETAILS Large Outside Radius Pockets DLORP-T are available in any radius specified from a minimum of 4" to an unlimited maximum in any increment. A light pocket can be produced when the DLORP-T is attached to a soffit with its integral mounting brackets. Factory pre-mitered and welded corners are available for ease of field installation. For use with conventional metal or wood studs and 1/2" or 5/8" gypsum drywall board construction. To insure proper installation, screws attaching **DETAILS** components must engage with the stud substructure. External blocking (as illustrated) may be required in retrofit construction.

For Ordering

Specify **DETAILS** components by item number below. Customer must submit exact details of external or internal blocking and the overall dimensions and weight of light fixture; brackets will be supplied to fit.

ITEM NUMBER

DLORP (Specify Radius) T

As manufactured by

MILGO/BUFKIN

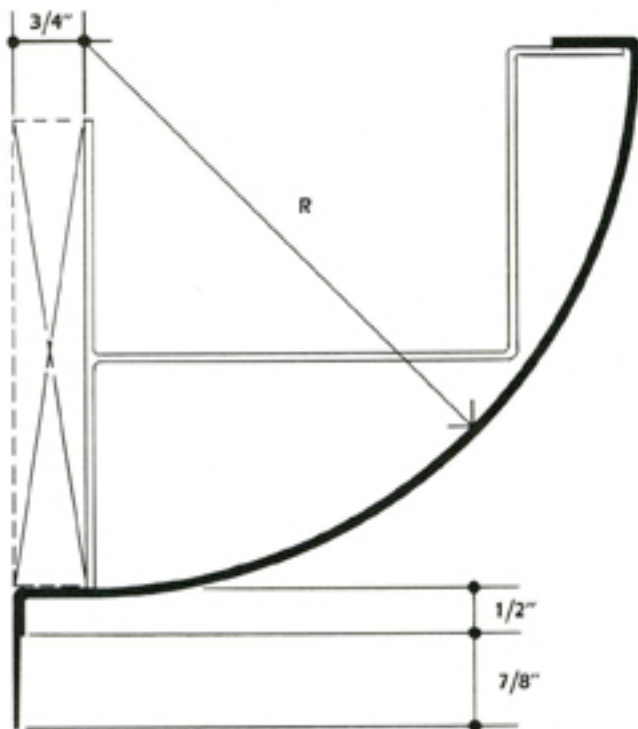
68 Lombardy Street, Brooklyn, New York 11222
(718) 388-6476 Telefax (718) 963-0614

© 1987 Milgo Industrial Inc. Revised 1991

CP 3.0

DETAILS the definitive solution to detailing and installation/execution problems. A full line of standard metal components for the drywall and acoustical trade. All **DETAILS** components are available in standard lengths of 96", 120", 144" plus or minus 1/16". Custom shapes and sizes are also available. Factory prepared joints are recommended when installed lengths require butting of **DETAILS** components. Pre-mitered and assembled corners and intersections are also available. Please contact our nearest representative for further information.

DETAILS™



DLORP

LARGE OUTSIDE RADIUS POCKET PERPENDICULAR FIN

Guide Specification

Large Outside Radius Pocket-Perpendicular Fin shall be **DETAILS** DLORP-P as manufactured by MILGO/BUFKIN. The formed metal sections shall incorporate an integral offset, punched with staggered holes for screw attachment to conventionally installed gypsum drywall. To insure proper installation, screws must engage with the wood or metal stud sub-structure. Metal surfaces are to be supplied shop primed ready for finishing with a corrosion-inhibiting coating compatible with materials commonly used in interior construction. All joints are to be taped, floated and sanded smooth prior to final finishing. (It is recommended that self-adhesive fiberglass scrim tape be used.) MILGO/BUFKIN as manufacturer reserves the right to change and modify the design and manufacture of **DETAILS** components as part of its ongoing product improvement programs.

Physical Properties

Material.....	Aluminum
Fire Rating (NFPA No. 101).....	Class A
Flame Spread.....	0
Smoke Developed.....	0
Fuel Contributed.....	0
Finish.....	Paint Ready

Installation Detail

DETAILS Large Outside Radius Pockets DLORP-P are available in any radius specified from a minimum of 4" to an unlimited maximum in any increment. A light pocket can be produced when the DLORP-P is attached to a vertical wall with its integral mounting brackets. Factory pre-mitered and welded corners are available for ease of field installation. For use with conventional metal or wood studs and 1/2" or 5/8" gypsum drywall board construction. To insure proper installation, screws attaching **DETAILS** components must engage with the stud substructure. External blocking (as illustrated) may be required in retrofit construction.

For Ordering

Specify **DETAILS** components by item number below. Customer must submit exact details of external or internal blocking and the overall dimensions and weight of light fixture; brackets will be supplied to fit.

ITEM NUMBER

DLORP (Specify Radius) P

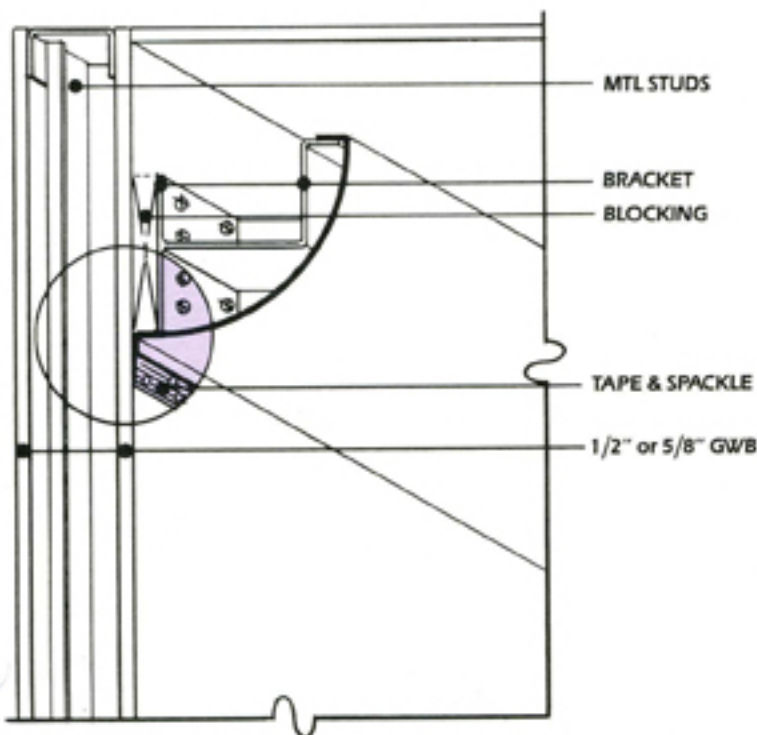
As manufactured by:

MILGO/BUFKIN

68 Lombardy Street, Brooklyn, New York 11222
(718) 388-6476 Telefax (718) 963-0614

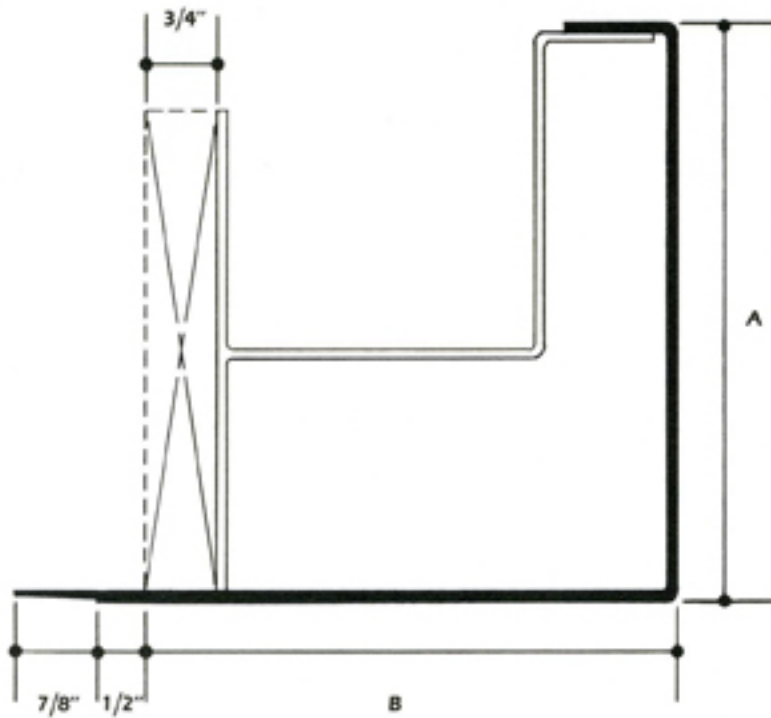
© 1987 Milgo Industrial Inc. Revised 1991

CP 3.1



DETAILS the definitive solution to detailing and installation/execution problems. A full line of standard metal components for the drywall and acoustical trade. All **DETAILS** components are available in standard lengths of 96", 120", 144" plus or minus 1/16". Custom shapes and sizes are also available. Factory prepared joints are recommended when installed lengths require butting of **DETAILS** components. Pre-mitered and assembled corners and intersections are also available. Please contact our nearest representative for further information.

DETAILS™



DLP LIGHT POCKET TANGENT FIN

Guide Specification

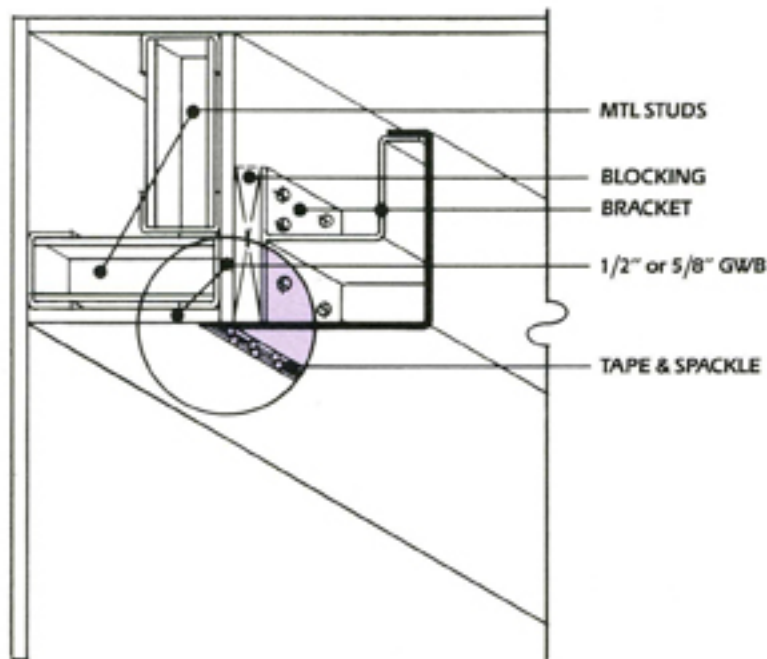
Light Pocket-Tangent Fin shall be **DETAILS** DLP-T as manufactured by MILGO/BUFKIN. The formed metal sections shall incorporate an integral offset, punched with staggered holes for screw attachment to conventionally installed gypsum drywall. To insure proper installation, screws must engage with the wood or metal stud sub-structure. Metal surfaces are to be supplied shop primed ready for finishing with a corrosion-inhibiting coating compatible with materials commonly used in interior construction. All joints are to be taped, floated and sanded smooth prior to final finishing. (It is recommended that self-adhesive fiberglass scrim tape be used.) MILGO/BUFKIN as manufacturer reserves the right to change and modify the design and manufacture of **DETAILS** components as part of its ongoing product improvement programs.

Physical Properties

Material.....	Aluminum
Fire Rating (NFPA No. 101).....	Class A
Flame Spread.....	0
Smoke Developed.....	0
Fuel Contributed.....	0
Finish.....	Paint Ready

Installation Detail

DETAILS Light Pockets DLP-T create a pocket projecting from a soft-fit insuring sharp, crisp, and straight lines without time consuming field labor. Inside and outside factory premitered corners are available. For use with conventional metal or wood studs and 1/2" or 5/8" gypsum drywall board construction. To insure proper installation, screws attaching **DETAILS** components must engage with the stud substructure. External blocking (as illustrated) may be required in retrofit construction.



For Ordering

Specify **DETAILS** components by item number below. Customer must submit exact details of external or internal blocking and the overall dimensions and weight of light fixture; brackets will be supplied to fit.

ITEM NUMBER

DLP A / B T

As manufactured by:

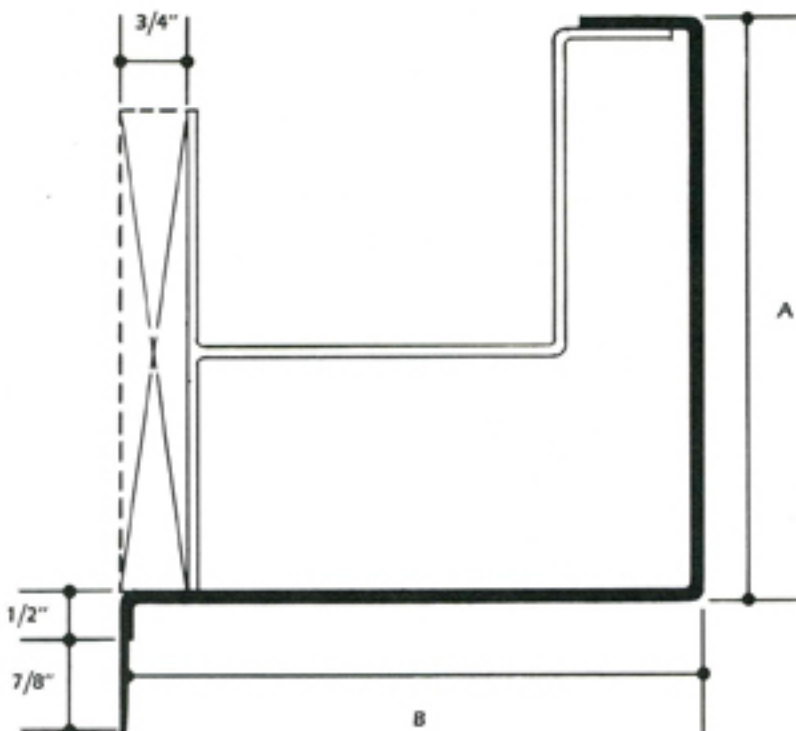
MILGO/BUFKIN

68 Lombardy Street, Brooklyn, New York 11222
(718) 388-6476 Telefax (718) 963-0614

© 1987 Milgo Industrial Inc. Revised 1991

DETAILS the definitive solution to detailing and installation/execution problems. A full line of standard metal components for the drywall and acoustical trade. All **DETAILS** components are available in standard lengths of 96", 120", 144" plus or minus 1/16". Custom shapes and sizes are also available. Factory prepared joints are recommended when installed lengths require butting of **DETAILS** components. Pre-mitered and assembled corners and intersections are also available. Please contact our nearest representative for further information.

DETAILS™



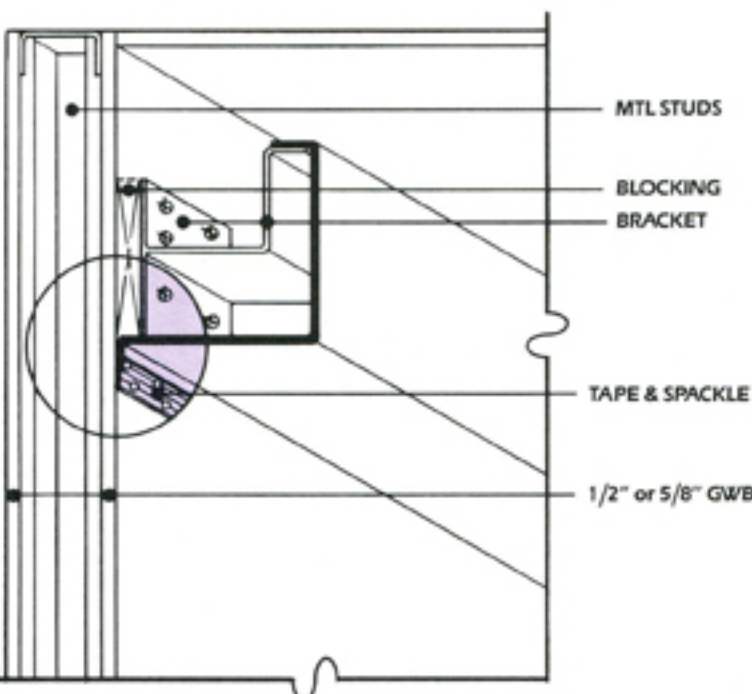
DLP LIGHT POCKET PERPENDICULAR FIN

Guide Specification

Light Pocket-Perpendicular Fin shall be **DETAILS** DLP-P as manufactured by MILGO/BUFKIN. The formed metal sections shall incorporate an integral offset, punched with staggered holes for screw attachment to conventionally installed gypsum drywall. To insure proper installation, screws must engage with the wood or metal stud sub-structure. Metal surfaces are to be supplied shop primed ready for finishing with a corrosion-inhibiting coating compatible with materials commonly used in interior construction. All joints are to be taped, floated and sanded smooth prior to final finishing. (It is recommended that self-adhesive fiberglass scrim tape be used.) MILGO/BUFKIN as manufacturer reserves the right to change and modify the design and manufacture of **DETAILS** components as part of its ongoing product improvement program.

Physical Properties

Material.....	Aluminum
Fire Rating (NFPA No. 101).....	Class A
Flame Spread.....	0
Smoke Developed.....	0
Fuel Contributed.....	0
Finish.....	Paint Ready



Installation Detail

DETAILS Light Pockets DLP-P create a pocket projecting from the vertical wall insuring sharp, crisp, and straight lines without time consuming field labor. Inside and outside factory premitered corners are available. For use with conventional metal or wood studs and 1/2" or 5/8" gypsum drywall board construction. To insure proper installation, screws attaching **DETAILS** components must engage with the stud substructure. External blocking (as illustrated) may be required in retrofit construction.

For Ordering

Specify **DETAILS** components by item number below. Customer must submit exact details of external or internal blocking and the overall dimensions and weight of light fixture; brackets will be supplied to fit.

ITEM NUMBER

DLP A / B P

As manufactured by:

MILGO/BUFKIN

68 Lombardy Street, Brooklyn, New York 11222
(718) 388-6476 Telefax (718) 963-0614

© 1987 Milgo Industrial Inc. Revised 1991

DETAILS the definitive solution to detailing and installation/execution problems. A full line of standard metal components for the drywall and acoustical trade. All **DETAILS** components are available in standard lengths of 96", 120", 144" plus or minus 1/16". Custom shapes and sizes are also available. Factory prepared joints are recommended when installed lengths require butting of **DETAILS** components. Pre-mitered and assembled corners and intersections are also available. Please contact our nearest representative for further information.

DETAILS™

DLPR

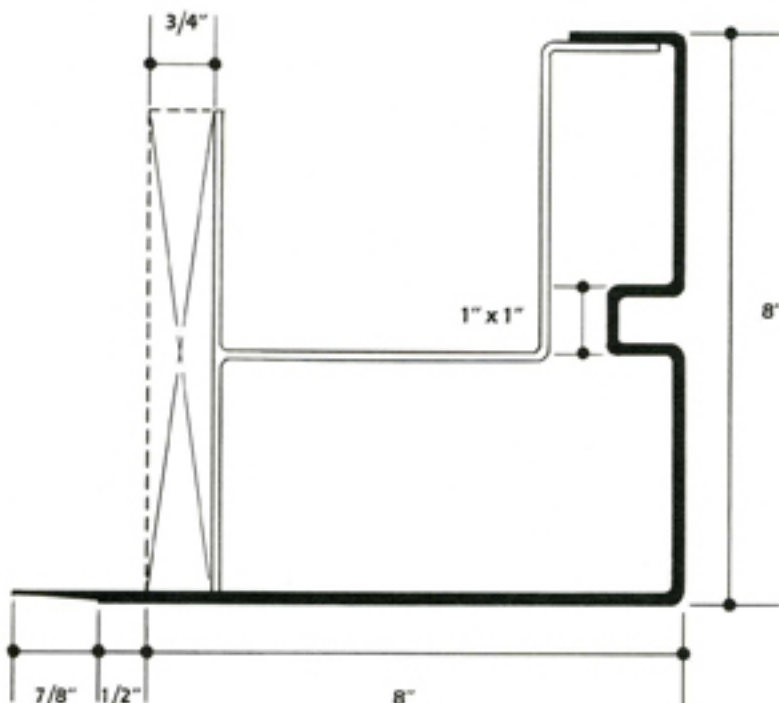
LIGHT POCKET W/REVEAL TANGENT FIN

Guide Specification

Light Pocket w/Reveal-Target Fin shall be **DETAILS** DLPR-T as manufactured by MILGO/BUFKIN. The formed metal sections shall incorporate an integral offset, punched with staggered holes for screw attachment to conventionally installed gypsum drywall. To insure proper installation, screws must engage with the wood or metal stud sub-structure. Metal surfaces are to be supplied shop primed ready for finishing with a corrosion-inhibiting coating compatible with materials commonly used in interior construction. All joints are to be taped, floated and sanded smooth prior to final finishing. (It is recommended that self-adhesive fiberglass scrim tape be used.) MILGO/BUFKIN as manufacturer reserves the right to change and modify the design and manufacture of **DETAILS** components as part of its ongoing product improvement programs.

Physical Properties

Material.....	Aluminum
Fire Rating (NFPA No. 101).....	Class A
Flame Spread.....	0
Smoke Developed.....	0
Fuel Contributed.....	0
Finish.....	Paint Ready



Installation Detail

DETAILS Light Pocket with Reveal DLPR-T creates an interesting visual detail in a light pocket projecting from a soffit. Rectangular or "V"-groove reveals may also be specified, in any dimension or frequency. Inside and outside factory premitered corners are available. For use with conventional metal or wood studs and 1/2" or 5/8" gypsum drywall board construction. To insure proper installation, screws attaching **DETAILS** components must engage with the stud substructure. External blocking (as illustrated) may be required in retrofit construction.

For Ordering

Specify **DETAILS** components by item number below. Customer must submit exact details of external or internal blocking and the overall dimensions and weight of light fixture; brackets will be supplied to fit.

ITEM NUMBER

DLPR 800/100 T

JOB SPECIFIC

For dimensions not included above please specify job requirements

DLPR A/B T

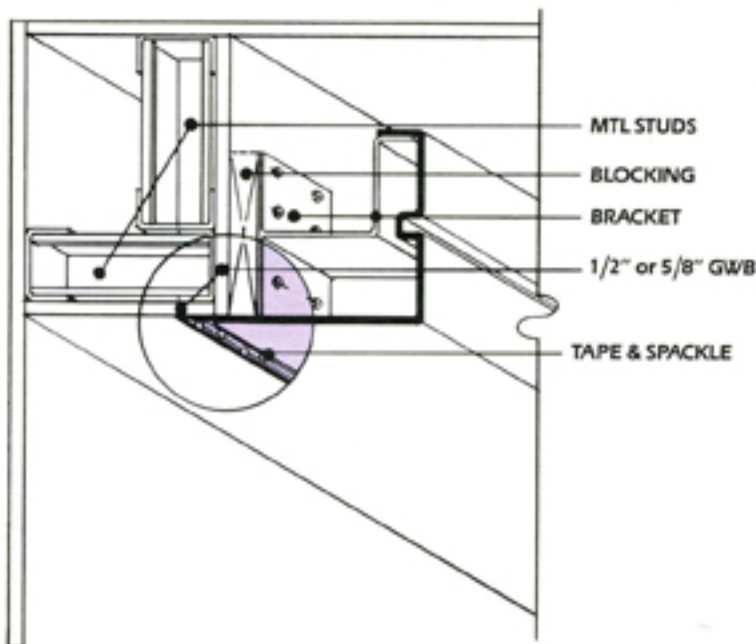
As manufactured by:

MILGO/BUFKIN

68 Lombardy Street, Brooklyn, New York 11222
(718) 388-6476 Telefax (718) 963-0614

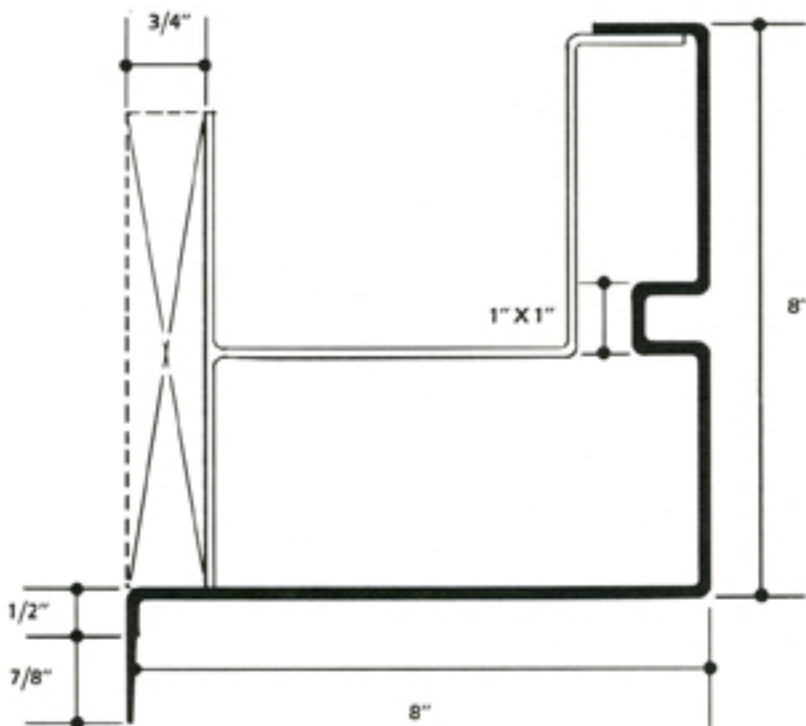
© 1987 Milgo Industrial Inc. Revised 1991

CP 3.4



DETAILS the definitive solution to detailing and installation/execution problems. A full line of standard metal components for the drywall and acoustical trade. All **DETAILS** components are available in standard lengths of 96", 120", 144" plus or minus 1/16". Custom shapes and sizes are also available. Factory prepared joints are recommended when installed lengths require butting of **DETAILS** components. Pre-mitered and assembled corners and intersections are also available. Please contact our nearest representative for further information.

DETAILS™



DLPR

LIGHT POCKET W/REVEAL PERPENDICULAR FIN

Guide Specification

Light Pocket w/Reveal-Perpendicular Fin shall be **DETAILS** DLPR-P as manufactured by MILGO/BUFKIN. The formed metal sections shall incorporate an integral offset, punched with staggered holes for screw attachment to conventionally installed gypsum drywall. To insure proper installation, screws must engage with the wood or metal stud sub-structure. Metal surfaces are to be supplied shop primed ready for finishing with a corrosion-inhibiting coating compatible with materials commonly used in interior construction. All joints are to be taped, floated and sanded smooth prior to final finishing. (It is recommended that self-adhesive fiberglass scrim tape be used.) MILGO/BUFKIN as manufacturer reserves the right to change and modify the design and manufacture of **DETAILS** components as part of its ongoing product improvement programs.

Physical Properties

Material.....	Aluminum
Fire Rating (NFPA No. 101).....	Class A
Flame Spread.....	0
Smoke Developed.....	0
Fuel Contributed.....	0
Finish.....	Paint Ready

Installation Detail

DETAILS Light Pocket with Reveal DLPR-P creates an interesting visual detail in a light pocket projecting from a vertical wall. Rectangular or "V"-groove reveals may also be specified, in any dimension or frequency. Inside and outside factory premitered corners are available. For use with conventional metal or wood studs and 1/2" or 5/8" gypsum drywall board construction. To insure proper installation, screws attaching **DETAILS** components must engage with the stud substructure. External blocking (as illustrated) may be required in retrofit construction.

For Ordering

Specify **DETAILS** components by item number below. Customer must submit exact details of external or internal blocking and the overall dimensions and weight of light fixture; brackets will be supplied to fit.

ITEM NUMBER

DLPR 800/100 P

JOB SPECIFIC

For dimensions not included above please specify job requirements

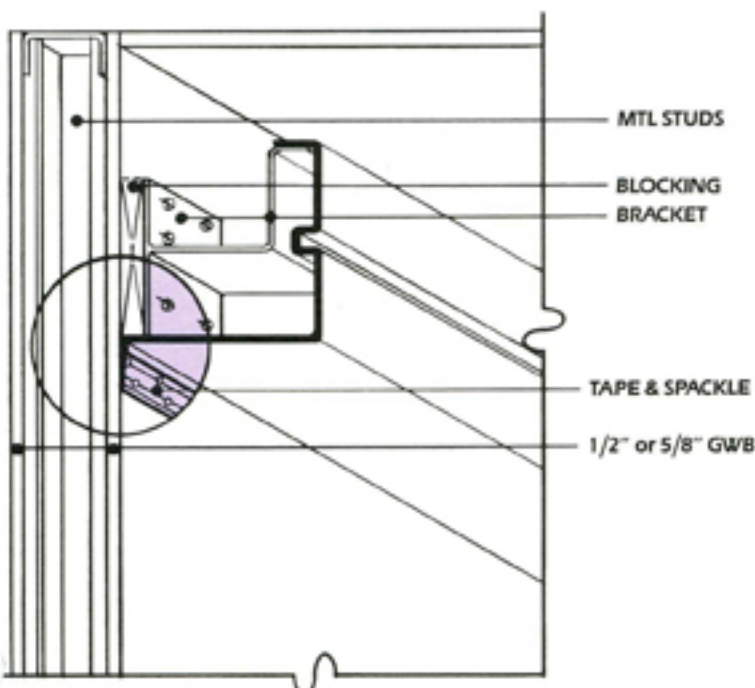
DLPR A/B P

As manufactured by:

MILGO/BUFKIN

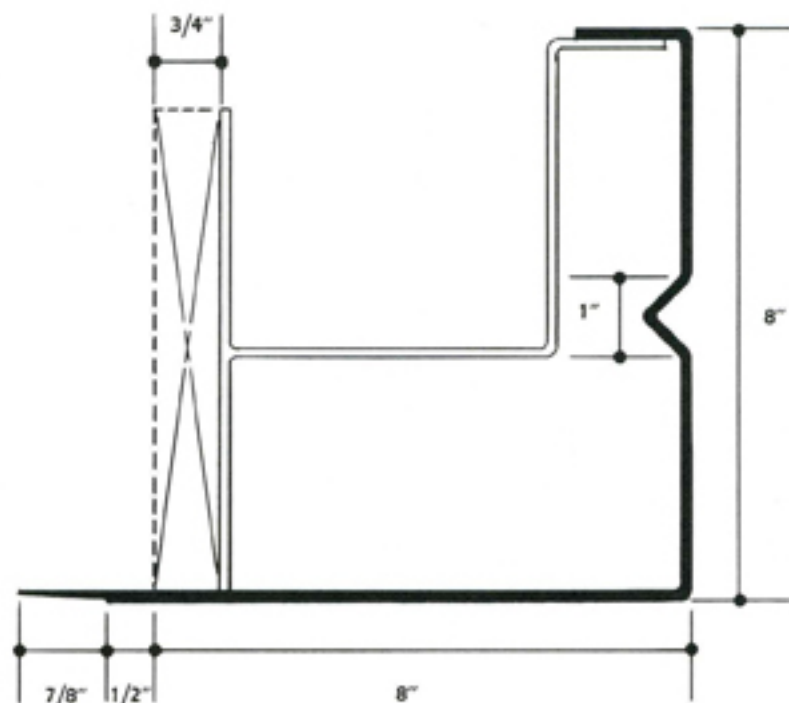
68 Lombardy Street, Brooklyn, New York 11222
(718) 388-6476 Telefax (718) 963-0614

© 1987 Milgo Industrial Inc. Revised 1991



DETAILS the definitive solution to detailing and installation/execution problems. A full line of standard metal components for the drywall and acoustical trade. All **DETAILS** components are available in standard lengths of 96", 120", 144" plus or minus 1/16". Custom shapes and sizes are also available. Factory prepared joints are recommended when installed lengths require butting of **DETAILS** components. Pre-mitered and assembled corners and intersections are also available. Please contact our nearest representative for further information.

DETAILS™



DLPR

LIGHT POCKET W/V-REVEAL TANGENT FIN

Guide Specification

Light Pocket w/V-Reveal-Tangent Fin shall be **DETAILS** DLPVR-T as manufactured by MILGO/BUFKIN. The formed metal sections shall incorporate an integral offset, punched with staggered holes for screw attachment to conventionally installed gypsum drywall. To insure proper installation, screws must engage with the wood or metal stud sub-structure. Metal surfaces are to be supplied shop primed ready for finishing with a corrosion-inhibiting coating compatible with materials commonly used in interior construction. All joints are to be taped, floated and sanded smooth prior to final finishing. (It is recommended that self-adhesive fiberglass scrim tape be used.) MILGO/BUFKIN as manufacturer reserves the right to change and modify the design and manufacture of **DETAILS** components as part of its ongoing product improvement programs.

Physical Properties

Material.....	Aluminum
Fire Rating (NFPA No. 101).....	Class A
Flame Spread.....	0
Smoke Developed.....	0
Fuel Contributed.....	0
Finish.....	Paint Ready

Installation Detail

DETAILS Light Pocket with Reveal DLPVR-T creates an interesting visual detail in a light pocket projecting from a soffit. Square or rectangular reveals may also be specified, in any dimension or frequency. Inside and outside factory premitered corners are available. For use with conventional metal or wood studs and 1/2" or 5/8" gypsum drywall board construction. To insure proper installation, screws attaching **DETAILS** components must engage with the stud substructure. External blocking (as illustrated) may be required in retrofit construction.

For Ordering

Specify **DETAILS** components by item number below. Customer must submit exact details of external or internal blocking and the overall dimensions and weight of light fixture; brackets will be supplied to fit.

ITEM NUMBER

DLPR 800/100 V-T

JOB SPECIFIC

For dimensions not included above please specify job requirements

DLPR A/B V-T

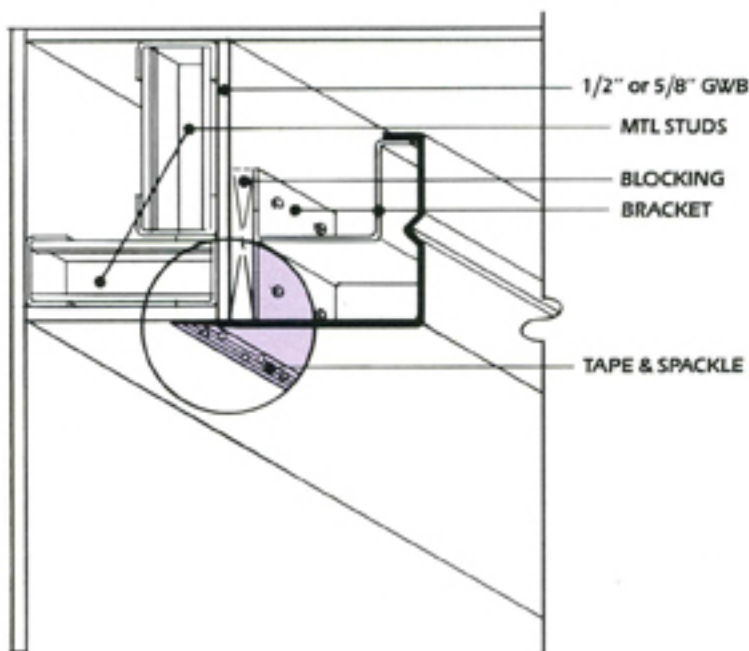
As manufactured by

MILGO/BUFKIN

68 Lombardy Street, Brooklyn, New York 11222
(718) 388-6476 Telefax (718) 963-0614

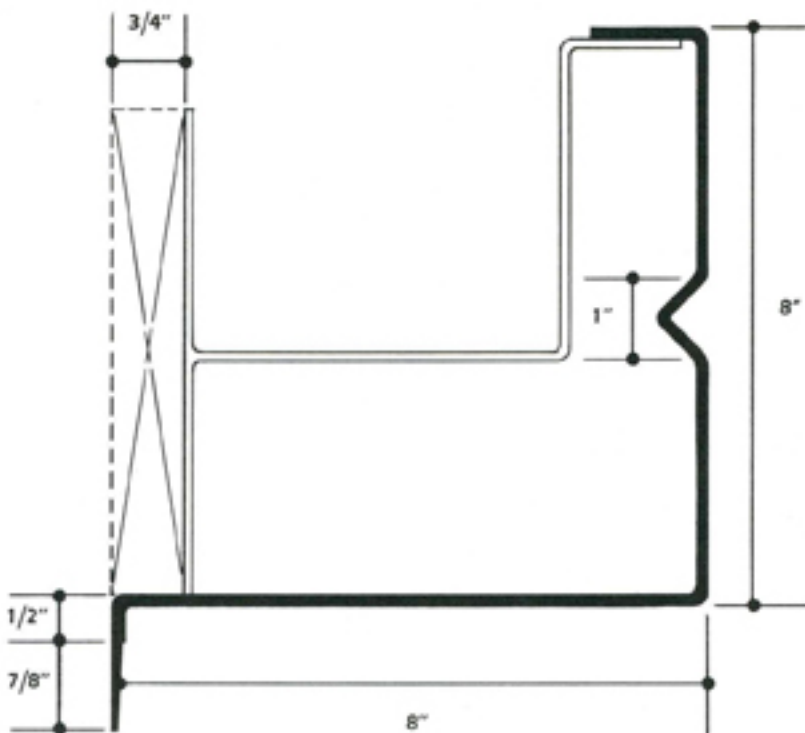
© 1987 Milgo Industrial Inc. Revised 1991

CP 3.6



DETAILS the definitive solution to detailing and installation/execution problems. A full line of standard metal components for the drywall and acoustical trade. All **DETAILS** components are available in standard lengths of 96", 120", 144" plus or minus 1/16". Custom shapes and sizes are also available. Factory prepared joints are recommended when installed lengths require butting of **DETAILS** components. Pre-mitered and assembled corners and intersections are also available. Please contact our nearest representative for further information.

DETAILS™



DLPR

LIGHT POCKET W/V-REVEAL PERPENDICULAR FIN

Guide Specification

Light Pocket w/V-Reveal-Perpendicular Fin shall be **DETAILS** DLPVR-P as manufactured by MILGO/BUFKIN. The formed metal sections shall incorporate an integral offset, punched with staggered holes for screw attachment to conventionally installed gypsum drywall. To insure proper installation, screws must engage with the wood or metal stud sub-structure. Metal surfaces are to be supplied shop primed ready for finishing with a corrosion-inhibiting coating compatible with materials commonly used in interior construction. All joints are to be taped, floated and sanded smooth prior to final finishing. (It is recommended that self-adhesive fiberglass scrim tape be used.) MILGO/BUFKIN as manufacturer reserves the right to change and modify the design and manufacture of **DETAILS** components as part of its ongoing product improvement programs.

Physical Properties

Material.....	Aluminum
Fire Rating (NFPA No. 101).....	Class A
Flame Spread.....	0
Smoke Developed.....	0
Fuel Contributed.....	0
Finish.....	Paint Ready

Installation Detail

DETAILS Light Pocket with Reveal DLPVR-P creates an interesting visual detail in a light pocket projecting from a vertical wall. Square or rectangular reveals may also be specified, in any dimension or frequency. Inside and outside factory premitered corners are available. For use with conventional metal or wood studs and 1/2" or 5/8" gypsum drywall board construction. To insure proper installation, screws attaching **DETAILS** components must engage with the stud substructure. External blocking (as illustrated) may be required in retrofit construction.

For Ordering

Specify **DETAILS** components by item number below. Customer must submit exact details of external or internal blocking and the overall dimensions and weight of light fixture; brackets will be supplied to fit.

ITEM NUMBER

DLPR 800/100 V-P

JOB SPECIFIC

For dimensions not included above please specify job requirements

DLPR A/B V-P

As manufactured by:

MILGO/BUFKIN

68 Lombardy Street, Brooklyn, New York 11222
(718) 388-6476 Telefax (718) 963-0614

© 1987 Milgo Industrial Inc. Revised 1991

