



## COLUMN COVERS

MILGO/BUFKIN column covers are available with a number of different configurations and detailing options. Finishes available include, but are not limited to, mirror and satin polished bronze, stainless steel and Primal stainless steel (MILGO/BUFKIN's special colored stainless steel in black, gold, bronze and blue). Also available are state-of-the-art coatings and paints on steel or aluminum column covers.

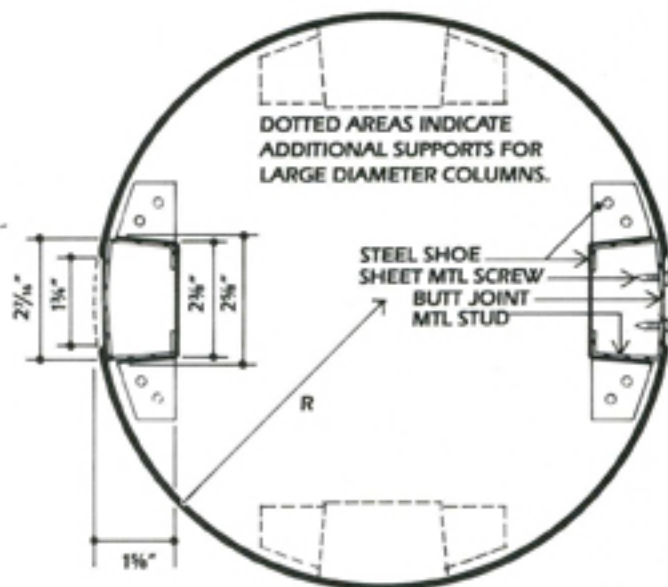


MILGO/BUFKIN COLUMN COVERS are available in a number of different sizes, shape configurations and detailing options. All COLUMN COVERS are pre-engineered for maximum aesthetic appeal while allowing for ease of installation. COLUMN COVERS can be used to disguise building services or to accentuate building structure. MILGO/BUFKIN offers a full range of COLUMN COVERS, from economical field paintable enclosures to fluted mirror polished bronze architectural statements.

# COLUMNS

## CC-A

### COLUMN COVER ALPHA SERIES™



#### Guide Specification

Preformed aluminum COLUMN COVERS shall be ALPHA SERIES™ CC-A as manufactured by MILGO/BUFKIN. The formed metal sections shall be supplied with a tapered fin, punched with staggered holes for screw attachment to supplied metal studs. Metal surfaces are to be supplied shop primed ready for finishing with a corrosion-inhibiting coating compatible with materials commonly used in interior construction. All joints are to be taped, floated and sanded smooth prior to final finishing. (It is recommended that self-adhesive fiberglass scrim tape be used.) MILGO/BUFKIN as manufacturer reserves the right to change and modify the design and manufacture of components as part of its ongoing product improvement programs.

#### Physical Properties

Material.....	Aluminum
Fire Rating (NFPA No. 101).....	Class A
Flame Spread.....	0
Smoke Developed.....	0
Fuel Contributed.....	0
Finish.....	Paint Ready

#### Installation Detail

COLUMN COVERS-ALPHA SERIES™ CC-A are formed metal column enclosures in any diameter (6" minimum to an unlimited maximum) or shape configuration (circles, ovals, ellipses, squares and rectangles). ALPHA SERIES™ COLUMN COVERS are an economical, damage resistant solution to providing a monolithic column enclosure. Factory modified edges can be supplied to accommodate partial columns. Horizontal stacking joints (\*) may be supplied for heights over 12 feet unless otherwise requested.

#### For Ordering

Specify COLUMN COVERS by method below.

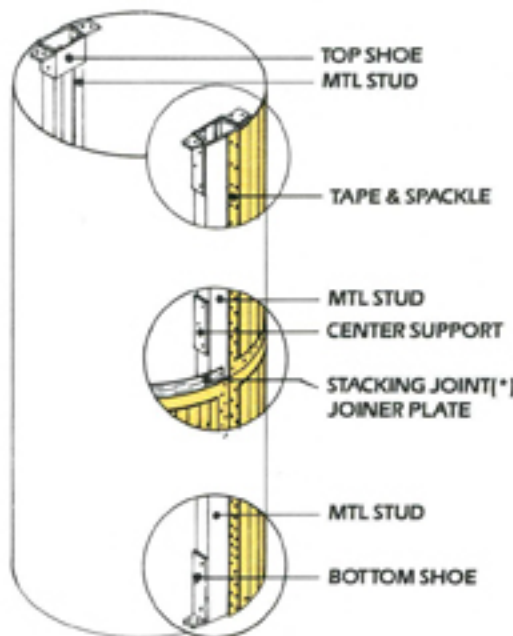
#### ITEM NUMBER

CC (Specify diameter/height) ALPHA

Example:

CC 24/144 ALPHA

COLUMN COVERS 24" diameter/144" tall ALPHA



As manufactured by

**MILGO/BUFKIN**

68 Lombardy Street, Brooklyn, New York 11222  
(718) 388-6476 Telefax (718) 963-0614

© 1987 Milgo Industrial Inc. Revised 1991

CC 1.0

MILGO/BUFKIN COLUMN COVERS are available in a number of different sizes, shape configurations and detailing options. All COLUMN COVERS are pre-engineered for maximum aesthetic appeal while allowing for ease of installation. COLUMN COVERS can be used to disguise building services or to accentuate building structure. MILGO/BUFKIN offers a full range of COLUMN COVERS, from economical field paintable enclosures to fluted mirror polished bronze architectural statements.

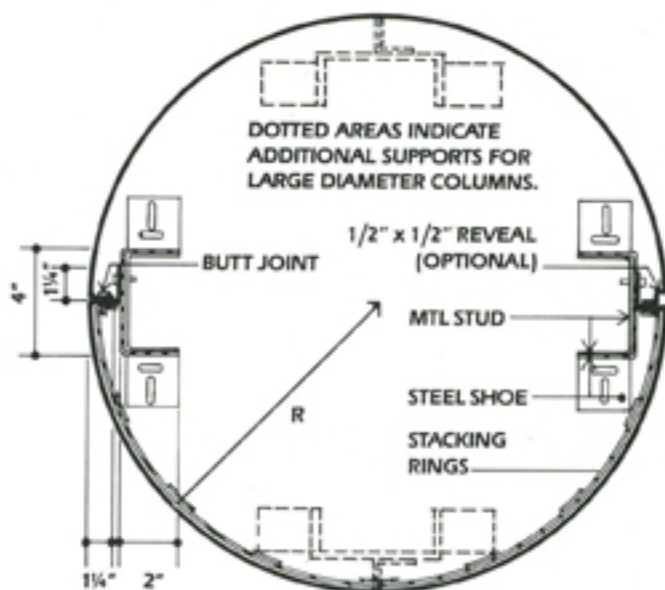
# COLUMNS

## CC-B

### COLUMN COVER BETA SERIES™

#### Guide Specification

Prefomed COLUMN COVERS shall be BETA SERIES™ CC-B as manufactured by MILGO/BUFKIN. The formed metal COLUMN COVERS shall be supplied in the sizes, configurations, materials and finishes as the drawings indicate (aluminum, bronze, steel, stainless steel, composites, mirror or satin polished, photoetched, state of the art coatings, sandblasted). Internal support studs with attachment shoes are to be supplied to facilitate installation and attachment to the building structure. Concealed fastening shall be provided when indicated by means of a positive interlock, twelve inches on center along the vertical seams. COLUMN COVERS can be supplied in 20 feet lengths without horizontal joints (material sheet limitations will apply). MILGO/BUFKIN as manufacturer reserves the right to change and modify the design and manufacture of components as part of its ongoing product improvement programs.



#### Installation Detail

COLUMN COVERS-BETA SERIES™ CC-B are formed metal column enclosures available in any diameter (4" minimum to an unlimited maximum) or shape configuration (circles, ovals, ellipses, squares and rectangles). BETA SERIES™ COLUMN COVERS are a solution to providing a highly finished monolithic column enclosure. Factory modified edges can be supplied to accommodate partial columns. Horizontal stacking joints (\*) may be supplied for heights over 12 feet unless otherwise requested.

#### For Ordering

Specify COLUMN COVERS by method below.

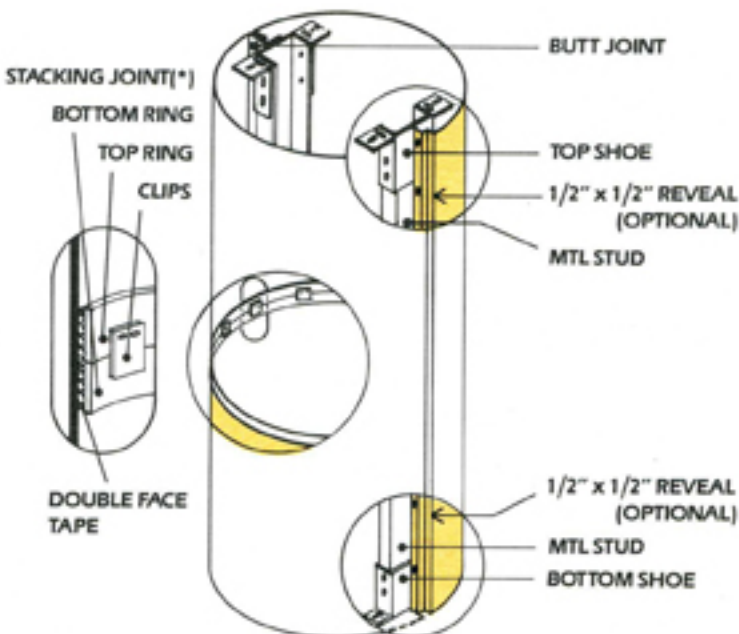
#### ITEM NUMBER

CC (Specify diameter/height) BETA (material)

Example:

CC 16/108 BETA/MPSS

COLUMN COVERS 16" diameter/108" tall BETA Mirror Polished Stainless Steel



As manufactured by:

**MILGO/BUFKIN**

68 Lombardy Street, Brooklyn, New York 11222

(718) 388-6476 Telefax (718) 963-0614

© 1987 Milgo Industrial Inc. Revised 1991

CC 2.0

MILGO/BUFKIN COLUMN COVERS are available in a number of different sizes, shape configurations and detailing options. All COLUMN COVERS are pre-engineered for maximum aesthetic appeal while allowing for ease of installation. COLUMN COVERS can be used to disguise building services or to accentuate building structure. MILGO/BUFKIN offers a full range of COLUMN COVERS; from economical field paintable enclosures to fluted mirror polished bronze architectural statements.

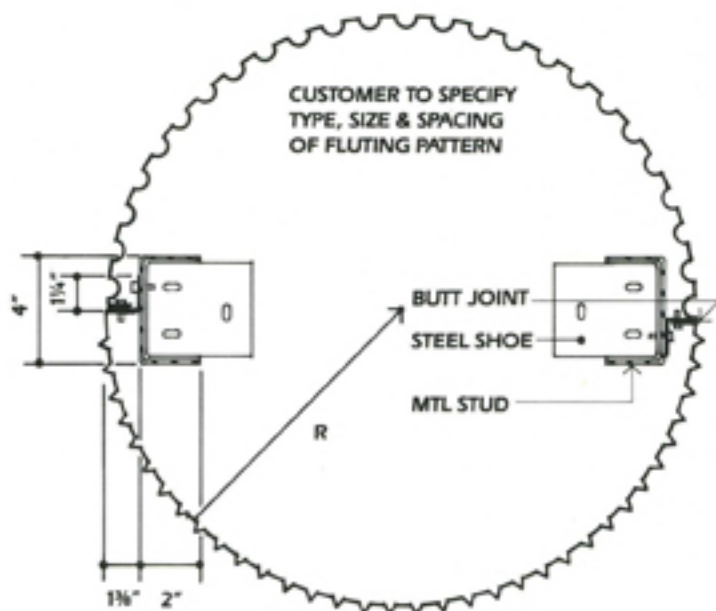
# COLUMNS

## CC-G

### COLUMN COVER GAMMA SERIES™

#### Guide Specification

Preformed COLUMN COVERS shall be GAMMA SERIES™ CC-G as manufactured by MILGO/BUFKIN. The formed metal COLUMN COVERS shall be supplied in the sizes, configurations, materials, and finishes as the drawings indicate. (Aluminum, bronze, steel, stainless steel, composites, mirror or satin polished, photoetched, state of the art coatings, sandblasted.) Internal support studs with attachment shoes are to be supplied to facilitate installation and attachment to the building structure. Concealed fastening shall be provided when indicated by means of a positive interlock, twelve inches on center along the vertical seam. COLUMN COVERS are to be supplied in the longest lengths possible without horizontal joints (20 feet maximum, material sheet limitations will apply). MILGO/BUFKIN as manufacturer reserves the right to change and modify the design and manufacture of components as part of its ongoing product improvement programs.



#### Installation Detail

COLUMN COVERS-GAMMA SERIES™ CC-G are formed metal column enclosures available in any diameter (4" minimum to an unlimited maximum) or shape configuration (circles, ovals, ellipses, squares and rectangles). GAMMA SERIES™ COLUMN COVERS are MILGO/BUFKIN's top of the line series combining artisan craftsmanship with ultramodern technological manufacturing techniques. Concave or convex radiused flutes, tapers, or freeform shapes are all within the realm of achievability. COLUMN COVERS-GAMMA SERIES™ are the ultimate solutions to achieving high design in column enclosures.

#### For Ordering

Specify COLUMN COVERS by method below.

#### ITEM NUMBER

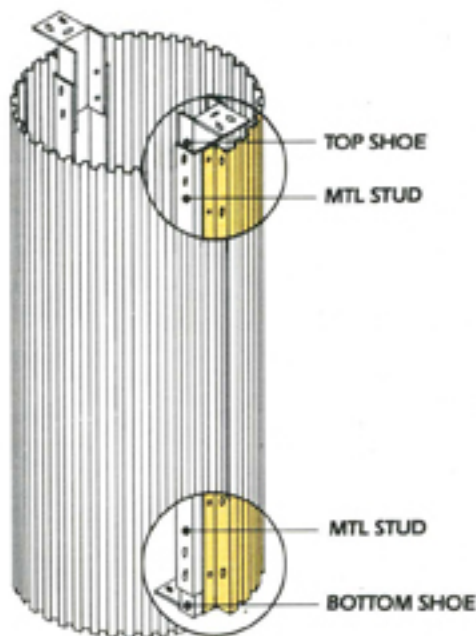
CC (Specify diameter/height) GAMMA (material)

Example:

CC 24/120 GAMMA-MPBZ

COLUMN COVERS 24" diameter/120" tall

GAMMA, Mirror Polished Bronze



As manufactured by:

**MILGO/BUFKIN**

68 Lombardy Street, Brooklyn, New York 11222  
(718) 388-6476 Telefax (718) 963-0614

© 1987 Milgo Industrial Inc. Revised 1991

CC 3.0