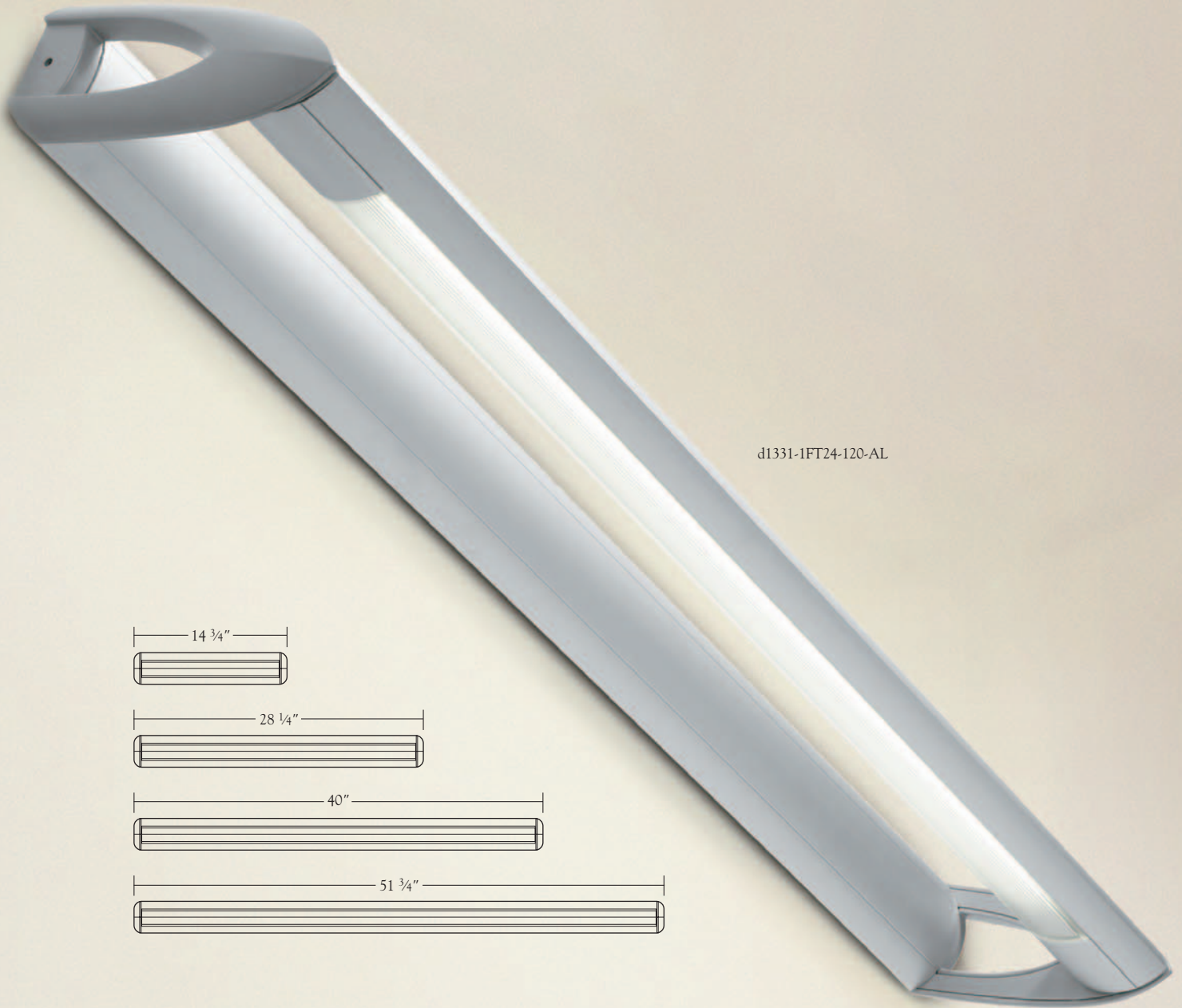




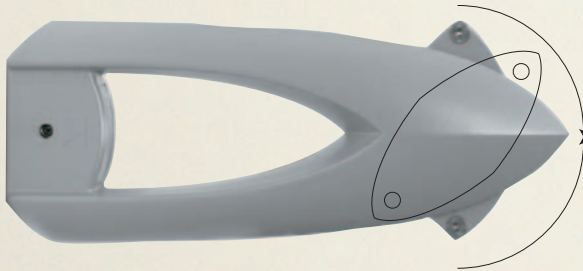
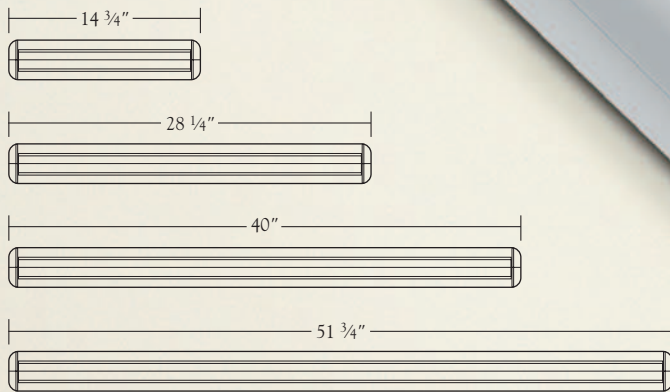
d1330 Epos 14 3/4" wall sconce  
d1331 Epos 28 1/4" wall sconce  
d1332 Epos 40" wall sconce  
d1333 Epos 51 3/4" wall sconce

d1330, d1331  
d1332, d1333

Dijkstra Lampen design

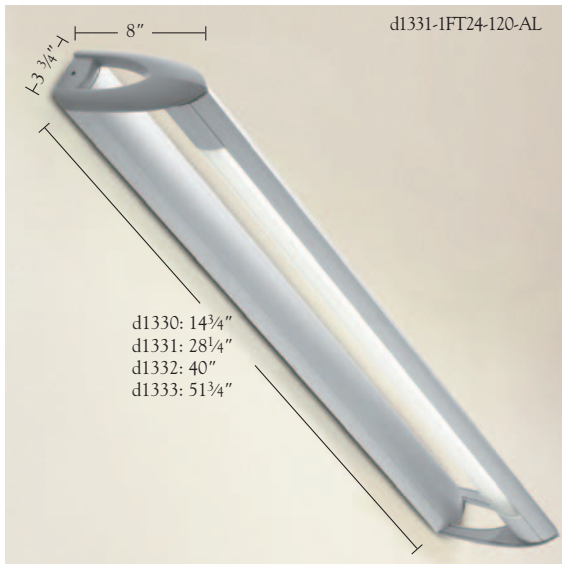


d1331-1FT24-120-AL



rotatable shade

**d1330, d1331  
d1332, d1333**



Item #	Lamping	Voltage	Finish	Options	Sp. Orders
<input type="text"/>	<input type="text"/>	<input type="text"/>	<input type="text"/>	<input type="text"/>	<input type="text"/>

Work space for submittals

**How to specify**

Example from illustration at left

d1331	-1FT24	-120	-AL		
-------	--------	------	-----	--	--

**Item Number**

d1330  
d1331  
d1332  
d1333

EPOS 14 3/4" wall sconce  
EPOS 28 1/4" wall sconce  
EPOS 40" wall sconce  
EPOS 51 3/4" wall sconce  
Dijkstra Lampen

**Construction**

Aluminum body. Pop-out acrylic diffuser.  
210 degree adjustable shade for direct or indirect lighting.  
Electronic ballast integrated in the fixture.  
No outlet box required. The fixture is designed to have BX or Romex cable mounted directly to the back of the fixture. The base of the fixture acts as the wiring chamber and the BX or Romex conduit fitting mounts directly to the back of the fixture mounting bracket. If an outlet box is to be used, the specifier, contractor and/or distributor must notify d'ac. Upon notification, d'ac will supply a secondary mounting plate to cover a horizontally mounted 2" x 4" outlet box.  
Fixture still requires wall anchors.  
UL listed, cUL certified for dry and damp locations.

**Lamping / Wattage**

For d1330-1F9  
For d1331-1FT24  
For d1332-1FT39  
For d1333-1FT54

Fluorescent, one 9W, 4 pin, 2G7 base, electronic HPF ballast  
Fluorescent, one 24 W HO, miniature bi-pin, T5 type, electronic HPF ballast  
Fluorescent, one 39 W HO, miniature bi-pin, T5 type, electronic HPF ballast  
Fluorescent, one 54 W HO, miniature bi-pin, T5 type, electronic HPF ballast  
*All fixtures are supplied less lamps. Lamps may be ordered from d'ac.*

**Voltage**

120      120V      277      277V

**Finish**

AL      Brushed Aluminum

**Options**

BI      Dual apertures allowing bi-directional light from the top & bottom (for d1330 and d1331 only)  
OB      Modification for mounting fixture to an outlet box

**Special Orders**

For modifications to dimensions, electrical requirements and other special orders, please contact your d'ac representative.

