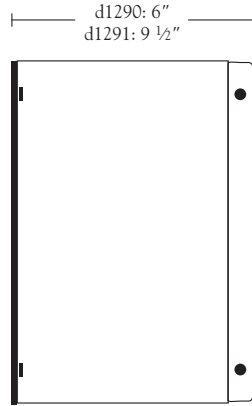
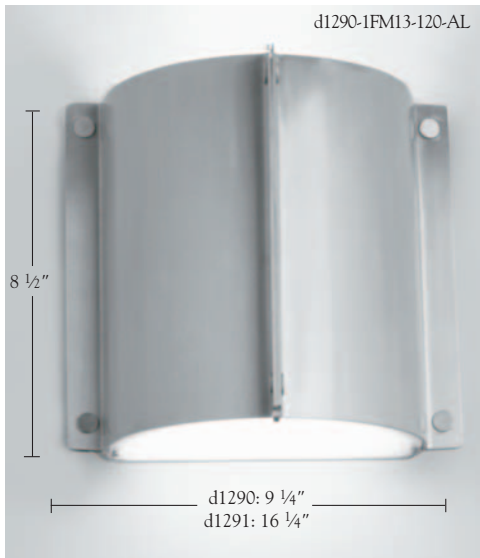




d1291-2F13-120-CU



d1290



Item #	Lamping	Voltage	Shade Finish	Options	Sp. Orders
<input type="text"/>	<input type="text"/>	<input type="text"/>	<input type="text"/>	<input type="text"/>	<input type="text"/>

Work space for submittals

How to specify

Example from illustration at left

d1290	-1FM13	-120	-AL	<input type="text"/>	<input type="text"/>
-------	--------	------	-----	----------------------	----------------------

Item Number

d1290
d1291

MERIDIAN 9 1/4" 8" wall sconce
MERIDIAN 16 1/4" 8" wall sconce
Peter Wooding Design Associates

Construction

Aluminum shade.
White opal, acrylic bottom lens.
Brushed aluminum buttons.
For standard junction box mounting.
UL listed, cUL certified for dry locations.

Lamping / Wattage

- For d1290 — 1N60
- 1FM13
- For d1291 — 2N60
- 2FM13
- 2F13

Incandescent, one 60 W, medium base, A type
Fluorescent, one 13W quad, 2 pin, electromagnetic NPF ballast
Incandescent, two 60 W, medium base, A type
Fluorescent, two 13W quad, 2 pin, electromagnetic NPF ballast
Fluorescent, two 13W quad, 4 pin, electronic HPF ballast
All fixtures are supplied less lamps. Lamps may be ordered from d'ac.

Voltage

120 120V 277 277V

Shade Finish

- AL Brushed Aluminum
- WH White Gloss
- MG Metallic Grey
- MB Matte Black
- BZ Metallic Bronze
- GM Metallic Green
- RD Metallic Red
- YL Bright Yellow
- G1 Light Grey
- AN Metallic Anthracite
- BC Black Crinkle
- T1 Light Tan
- SF Seafoam
- RB Bright Red
- OR Orange
- G2 Medium Grey
- BG Black Gloss
- CU Metallic Copper
- T2 Medium Tan
- BL Metallic Blue
- MP Magenta Pink
- SCF Special Finish—must supply paint chip

Options

- TLF Top lens-flat, white opal (for fluorescent versions only)
- TDF Top perforated metal diffuser (painted white)

Special Orders

For modifications to dimensions, electrical requirements and other special orders, please contact your d'ac representative.