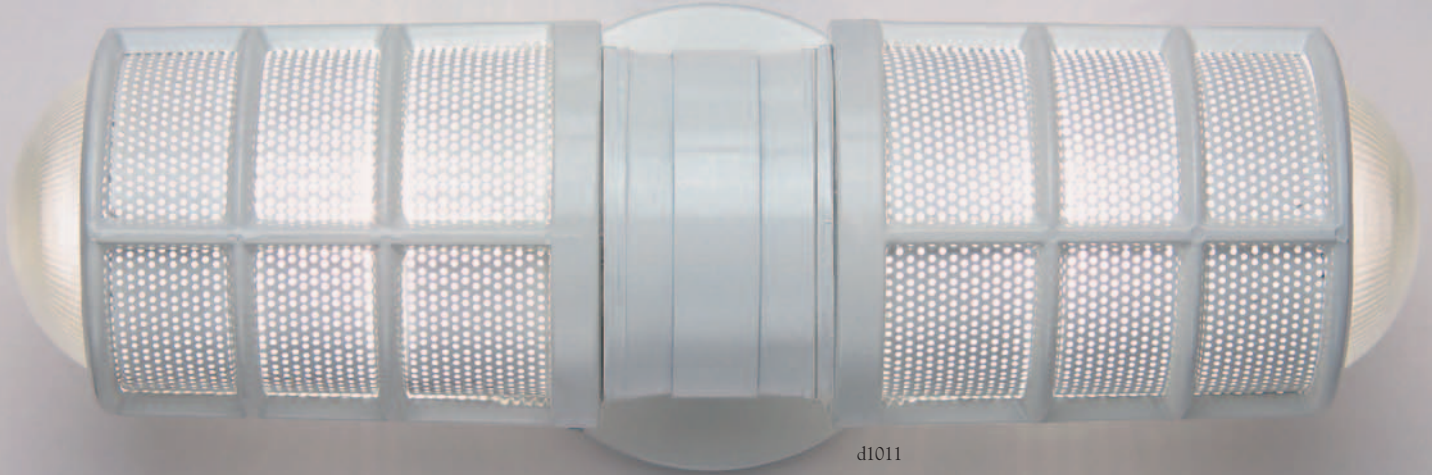


Shelton, Mindel & Associates designs



d1011

See also:



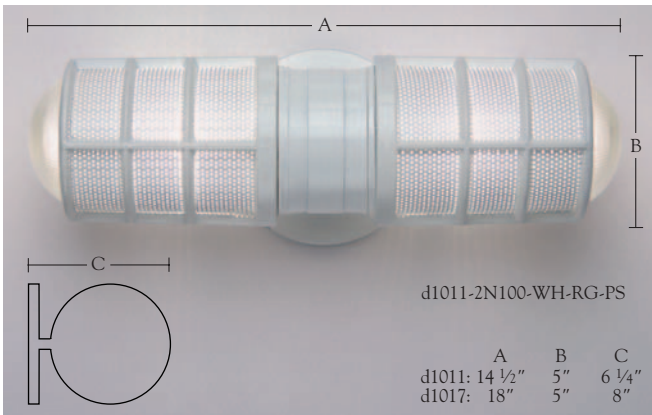
d1010



d5010



d8010



Item #	Lamping	Voltage	Fixture Finish	Options	Sp. Orders
<input type="text"/>	<input type="text"/>	<input type="text"/>	<input type="text"/>	<input type="text"/>	<input type="text"/>

Work space for submittals

**How to specify**

Example from illustration at left

d1011	-2N100	-120	-WH	-RG-PS	<input type="text"/>
-------	--------	------	-----	--------	----------------------

**Item Number**

d1011  
d1017

SOFT INDUSTRIAL double wall fixture  
SOFT INDUSTRIAL double wall fixture - Large  
Shelton, Mindel & Associates design

**Construction**

Cast aluminum grill and fittings. Clear glass enclosure.  
5" diam. x 1/2" deep canopy. (Fluorescent versions enclose ballast in 5" diam. x 2" deep canopy.) For standard wall junction box mounting. UL listed, cUL certified for dry locations.

**Lamping / Wattage**

Fixtures supplied less lamps.  
Lamps may be ordered from d'ac.

- 2N100
- 2N200\*
- 2FM13
- 2F13
- 2F18
- 2F26
- 2F32
- 2F42\*
- 2M70\*
- 2M100\*
- 2M150\*

- Incandescent, two 100 W, medium base, A type
- Incandescent, two 200 W, medium base, A type
- Fluorescent, two 13 W quad, 2 pin, electromagnetic NPF ballast
- Fluorescent, two 13 W quad, 4 pin, electronic HPF ballast
- Fluorescent, two 18 W quad, 4 pin, electronic HPF ballast
- Fluorescent, two 26 W triple tube, 4 pin, electronic HPF ballast
- Fluorescent, two 32 W triple tube, 4 pin, electronic HPF ballast
- Fluorescent, two 42 W triple tube, 4 pin, electronic HPF ballast
- Metal Halide†, two 70 W, medium base, ED-17 type
- Metal Halide†, two 100 W, medium base, ED-17 type
- Metal Halide†, two 150 W, medium base, ED-17 type

\*Available only in d1016 and d1017 versions

†two remote "F-can" magnetic type metal halide ballasts not to exceed 10 feet from lamp

**Voltage**

- 120
- 120V
- 277
- 277V

**Fixture Finishes**

See Page d9000 for color renderings

- AL Brushed Aluminum
- Baked Enamel Finishes:
  - WH White Gloss
  - MG Metallic Grey
  - MB Matte Black
  - BZ Metallic Bronze
  - GM Metallic Green
  - RD Metallic Red
  - YL Bright Yellow
  - G1 Light Grey
  - AN Metallic Anthracite
  - BC Black Crinkle
  - T1 Light Tan
  - SF Seafoam
  - RB Bright Red
  - SCF Special Finish—must supply paint chip
  - G2 Medium Grey
  - BG Black Gloss
  - CU Metallic Copper
  - T2 Medium Tan
  - BL Metallic Blue
  - MP Magenta Pink

**Options**

- RG Ribbed Glass enclosure
- PS Perforated metal Sleeve
- WET Wet location UL/cUL listed (Can only be mounted in a horizontal position outdoors)
- SCF Special/Custom Finish - customer must supply paint chip
- ELTRN Remote electronic metal halide ballast, 120 V (70 W & 100 W only) Not to exceed 12 feet from lamp

**Special Orders**

For modifications to dimensions, electrical requirements and other special orders, please contact your d'ac representative.

