

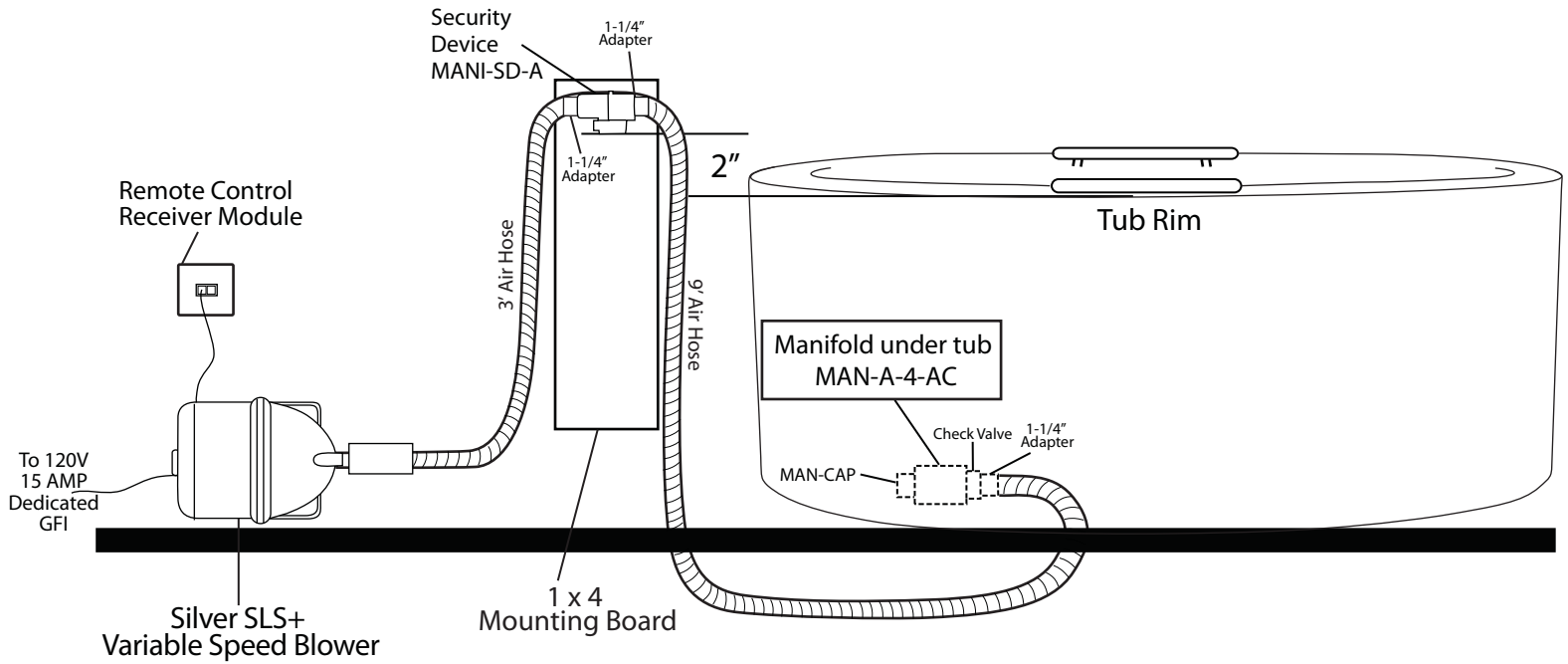
INSTALLATION INSTRUCTIONS

Soloman Acrylic Air Bath Tub with Stainless Steel Grab Bars

- Install so that the security device, MANI-SD-A, is at least 2" above tub rim.

Components List:

- BM-TWP Ball Check Valve Jets
- MANI-SD-A Security Device
- MAN-A-4-AC Manifold
- Silver SLS+ Variable Speed Blower



Inside of Bath

Features:

- (12) Maxi Air Jets with 24 openings



Elbows for air jets

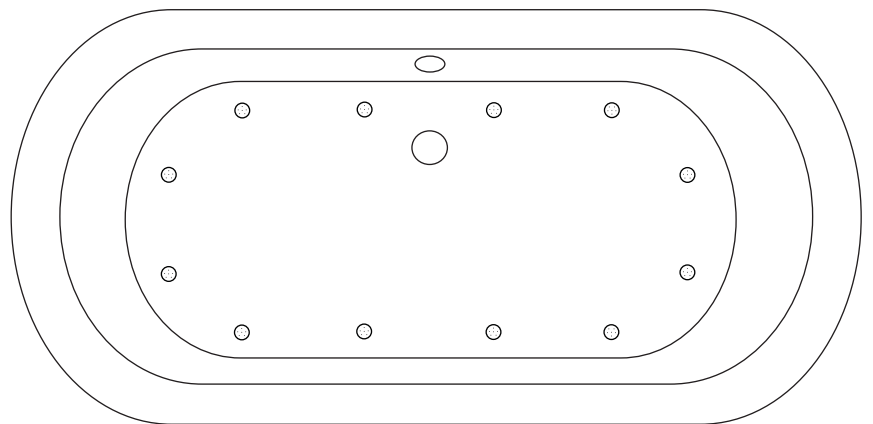


Tees for air jets

- Remote Control CG+/RTC-SENSOR-WP



12-15 year battery life

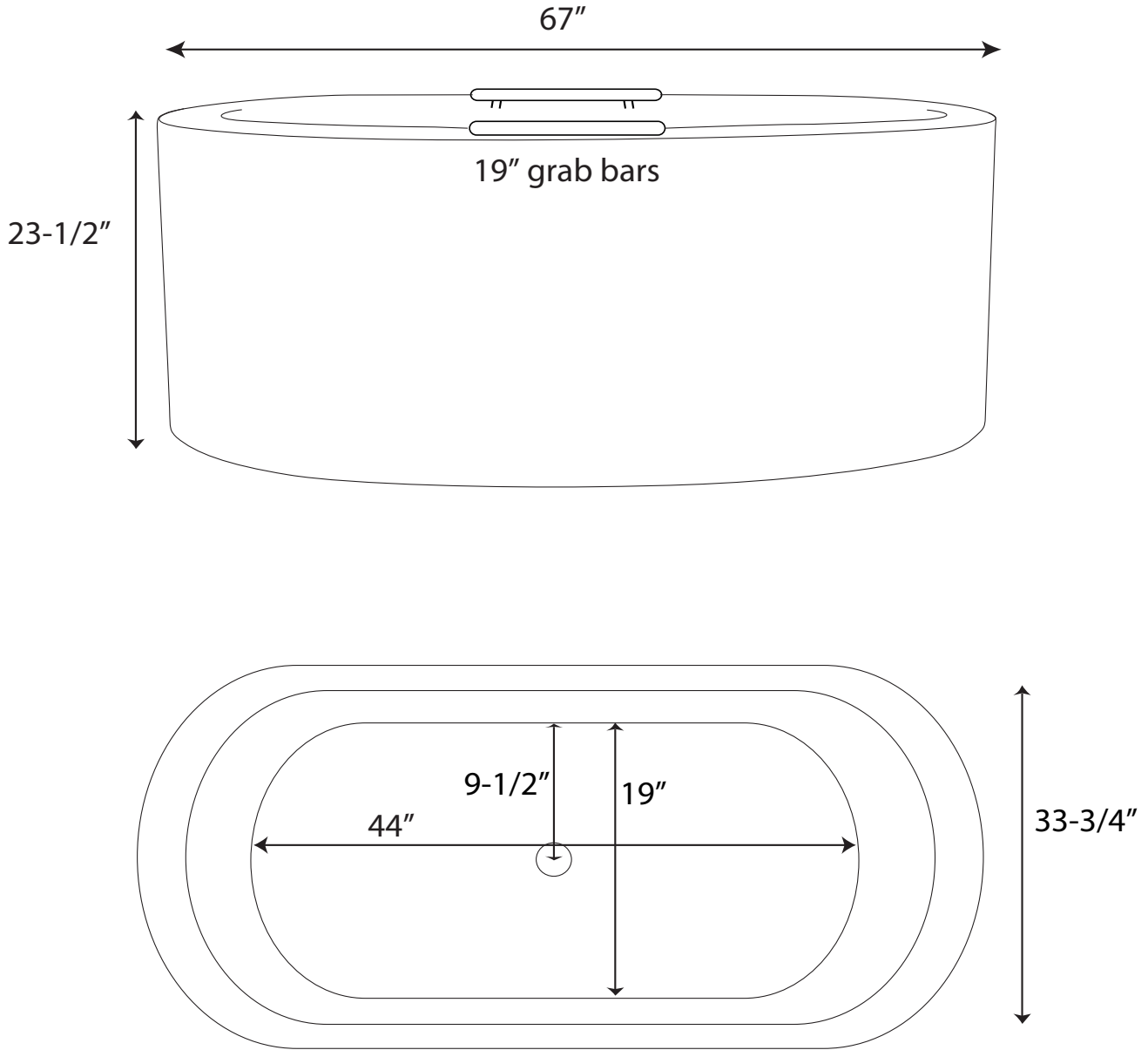


Soloman Acrylic Air Bath Tub with Stainless Steel Grab Bars

Tub Dimensions: 67" L x 33-3/4" W x 23-1/2" H.

Tub Water Capacity: 54 gallons (to top of tub)

Tub Weight Uncrated: 130 lbs. Tub Weight Crated: 355 lbs



Tub rim is 4".

Tub is 15" deep at drain.

Tub has no overflow. If an overflow is desired, it must be drilled at the job site and you must have under-floor access.

All measurements are approximate. Measurements may vary +/- 1/2".