

For blower models
MILLENNIUM: ME · ME-LL · M0 · M0-LL · M3 · MAS · MAST · MS
PIGGY: PE · P0 · P3 · PAS · PAST
IMPORTANT
**READ AND FOLLOW ALL INSTRUCTIONS
SAVE THESE INSTRUCTIONS**
CAUTION

1. Read these instructions and rules carefully. Failure to follow them could cause serious body injuries and/or property damages.
2. Check your local electrical safety and plumbing codes. The installation must comply with these guidelines.
3. No modifications, additions or deletions should be made to the blower without factory approval.
4. Do not relocate blower without prior approval from the factory.
5. Ensure that a class A ground fault interrupter (G.F.I.) is installed as part of the wiring.
6. Wiring should be permanent. Do not use an extension cord. Have the electrical part of the installation done by, or approved by, a qualified electrician.
7. The blower has no serviceable parts.

INSTALLATION

Air massage bathtub installation

1. Never handle your air massage bathtub by the piping.
2. Do not rest your bath unit on the jets located underneath the bathtub. Make sure that back jets are adequately protected when entering the unit into your bathroom. Be careful not to hit a wall or door frame with the back jets.

IMPORTANT

An **access panel** of 30" x 15" (75cm x 40cm) must be located near the blower to allow easy servicing if need be.

Final installation

1. **IMPORTANT:** The blower must not be insulated and must have sufficient air space to permit proper functioning. Surrounding air should be able to reach the room under the apron or the podium of your bathtub.
2. If factory installed, the optional heating element on your air massage system heats the air blown into the bathtub for the comfort of the customer. It will not, under any circumstances, reheat or maintain the temperature of the bath water.
3. Area underneath and around the bathtub must be cleaned before finalizing the installation to ensure that no wood shavings or other particles enter into the air blower and are blown through the jets.
4. Before filling with water, clean bathtub from installation debris and dirt. If necessary use a vacuum cleaner.
5. Verify connection and functioning of touch pad and air blower before finalizing the installation.

AIR MASSAGE SYSTEM

Introduction

Thank you for your confidence in CG Air Systèmes inc. by purchasing your new air massage system.

We can assure you that CG Air Systèmes inc. uses the best materials and applies the most strict quality control measures to ensure that each and every unit meets the highest standards of the Canadian Standard Association (CSA) and Underwriters Laboratories (UL).

The origins of Air Massage...

Air massage, also known as balneotherapy, is the use of air mixed with water to gently but efficiently massage the body.

Its soothing and pain relieving virtues were already recognized by the Romans. But, unlike the Romans who could only afford the pleasures of a relaxing and invigorating bath every now and then, the technology developed by CG Air Systèmes inc. allows you to enjoy the benefits of balneotherapy every day in your own bathroom.

Safe use of your air massage bathtub

Your new massage system provides you with a gentle, overall massage. The massage effect is obtained by injecting warm air through air jets into the bathwater. Using the blower for too long a period at too high water temperature will cause a tiring effect. When you first begin to use your luxury bath unit, set the blower duration at five minutes maximum. Regulate the water temperature to a moderately warm level. These levels can be later increased for additional massaging effects.

Your physiological response to a hot massage bath depends on your age, health and medical history. If you develop a headache or become dizzy or nauseous, get out at once and cool off under the shower. Get medical help if the symptoms persist.

Consult your doctor before you use the massage bath for physical therapy of an injury or disorder. Do not take a massage bath without your doctor's consent if you are ill, pregnant or if you suffer from high blood pressure, heart disease or other health problems. Never take a massage bath while under the influence of medication, drugs or alcohol.

Caution: Children or incapacitated people should not use the massage bath unattended. Your bath water temperature should not exceed 40°C (104°F).

After having cleaned the tub from all installation debris and dirt, fill with water at normal bathing water level ie. maximum 2" below the overflow when bather is sitting in the tub. Never fill the tub with water above the overflow level.

When filling your tub make sure that water temperature does not exceed 70°C (158°F). The use of water that is too hot might shorten the lifetime of the o-rings and gaskets of the air jets.

TROUBLESHOOTING

Blower fails to operate

1. Verify that electronic touch control is connected properly (Refer to wiring diagram).
2. Check electric power supply. Reset circuit breaker or replace fuse if necessary.
3. Check ground fault circuit interrupter. Reset if tripped.
4. If the system has been functioning for quite some time, it is possible that the thermic protection has shut off the motor. Let it cool off for at least 30 minutes before using it again.

Motor runs, but no air comes through the jets

1. Verify that the main air hose from manifold to blower is properly connected. If necessary, reconnect and tighten clamps.

Air outlets of jet heads are obstructed

1. If the air outlets of a jet head are obstructed by soap or other residues, fill tub with warm water, then switch system ON and OFF several times. The air outlets should be cleared, if this is not sufficient, carefully tap on the jet heads with the handle of a screw driver or a similar tool (plastic) while the blower is running.

The air heater seems not to work

1. To verify the operation of the air heater, fill the bathtub to working level and operate blower on high turbulence for approximately 5 minutes. Carefully feel the flexible connection hose where it connects to the blower. The hose and its immediate area should feel warm to the touch. If not, contact your local distributor.
2. If your tub is installed against two outside walls, it is recommended to ensure adequate insulation for these outside walls to minimize heat loss.
3. Skin sensitive people might experience the so-called "cold air effect" which is caused by the sensation of air bubbles running along the wet skin and providing the bather with a shivering sensation. Just move your body slightly away from the closest jet to stop the sensation of cold air. (NOTE: Even if the outgoing air would be hot enough to burn the skin, this shivering effect would still persist.)

Note: The air heater is not designed to heat your bath water, just to preheat the incoming air to body temperature.

The drying cycle

1. Verify with our electronic control instructions.

WARRANTY

All air blowers are warranted to be free of defects in manufacturing, material and workmanship for a period of one year from the date of purchase by the owner/end-user.

Limitations

This warranty does not apply to the bath tub and/or spa but solely to the components manufactured by CG AIR SYSTÈMES INC.

This warranty shall not apply to the following incorrect operating procedures, breakage or damages caused by fault, abuse, misuse, carelessness, misapplication, alteration, modification, improper maintenance of the unit, as well as act of God, fire, chemical or natural corrosion or any other casualty.

The owner of the product covered by the present warranty is entirely responsible for the proper installation of the product in accordance with the installation manual provided. CG AIR SYSTÈMES INC. neither installs nor supervises nor contracts for the installation and consequently cannot be held responsible for the installation.

CG AIR SYSTÈMES INC. is not responsible for any damages or claims resulting from defects that could have been discovered, repaired or avoided by inspection and testing prior to installation.

CG AIR SYSTÈMES INC. makes no express warranty, no warranty for merchantability, no warranty of fitness for particular purposes, neither any other warranty implied or statutory for its products other than specified above.

In no event shall CG AIR SYSTÈMES INC. liability exceed the purchase price of the defective part.

If within the warranty period, any such product shall prove to be defective, CG AIR SYSTÈMES INC. reserves the right to repair or replace the defective product with one of equal value.

Commercial limitations

In addition to the above conditions and limitations, if the product is to be used as a display, the warranty period begins when the product has been placed on display. Under no circumstances will CG AIR SYSTÈMES INC. be responsible for any profit loss due to a malfunction of the unit. This warranty gives the owner/end-user specific

legal rights and the owner/end-user may have other rights which vary from one state/province to another.

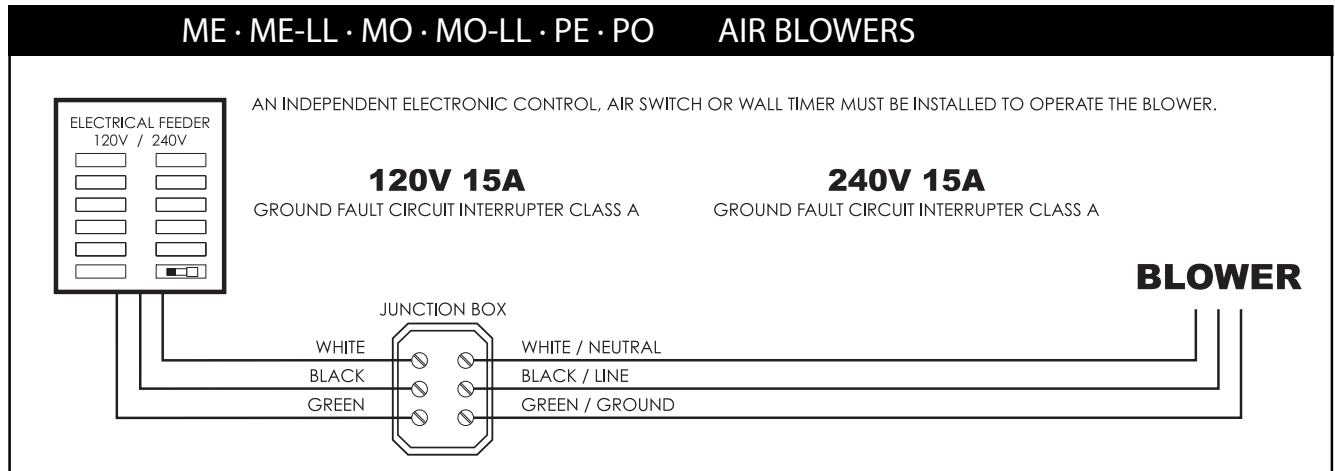
CG AIR SYSTÈMES INC. reserves the right to discontinue and/or change models, colors and specifications in design together with replacement parts without notice and without incurring any obligations.

ELECTRICAL INSTALLATION

1. The electrical installation is subject to inspection and approval by local authorities. All electrical connections must be made by a licensed electrician.
2. Before beginning installation make sure that electric power is disconnected at fuse box.
3. The blower must be located out of reach from the person in the bathtub and fixed in position with screws.
4. The blower connection is pre-installed. Do not remove the blower cover, this will void the warranty.
5. Refer to your local electrical code if your distance between the installation site of the bath unit and the main fuse box is more than 100 feet (30,4 m).

120V Use the factory pre-installed type SJ wire to connect to junction box (not provided by the tub manufacturer). Run a separate **120V, 60Hz, 15A** G.F.I. (Class A protected) electric circuit from the main fuse box to the junction box. Use a 14 gage three conductor cable (2 wires plus ground) in connections up to 100 feet (30,4m) from the main fuse box.

240V Use the factory pre-installed type SJ wire to connect to junction box (not provided by the tub manufacturer). Run a separate **240V, 60Hz, 15A** G.F.I. (Class A protected) electric circuit from the main fuse box to the junction box. Use a 14 gage three conductor cable (2 wires plus ground) in connections up to 100 feet (30,4m) from the main fuse box.



FUNCTIONS ME · ME-LL · PE

This blower can be operated by an independent electronic control, air switch or wall timer.

One speed or multispeed depending of the control model. Please refer to the instructions of the electronic control, air switch or wall timer for the operation of your air system.

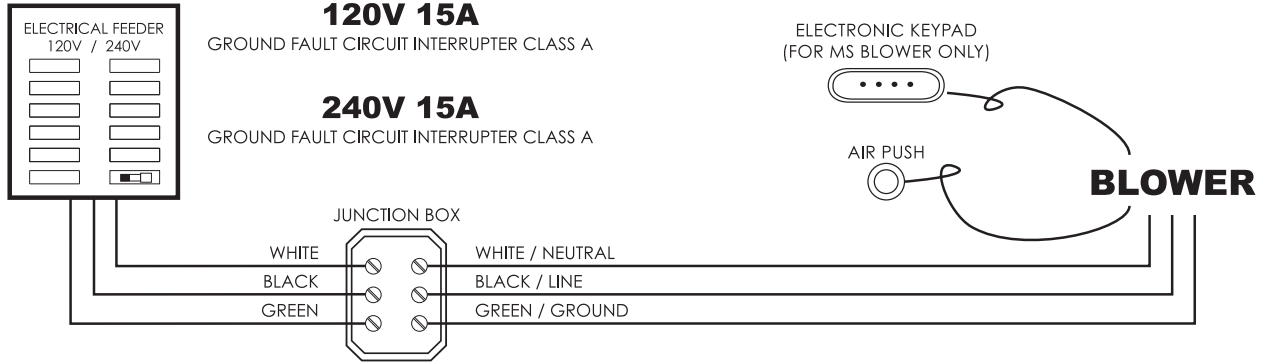
FUNCTIONS MO · MO-LL · PO

Your blower is equipped with an integrated air heating element.

This blower can be operated by an independent electronic control, air switch or wall timer.

One speed or multispeed depending of the control model. Please refer to the instructions of the electronic control, air switch or wall timer for the operation of your air system.

MAS · MAST · M3 · MS · PAS · PAST · P3 AIR BLOWERS



FUNCTIONS MAS · PAS

Your blower is equipped with a built-in ON/OFF air switch

1 st press air push:	The blower starts at maximum speed.
2 nd press air push:	The blower stops.

FUNCTIONS MAST · PAST

Your blower is equipped with a built-in electronic control, 1 speed and a 20 minute automatic timer as well as an automatic drying cycle.

1 st press air push:	The blower starts at maximum speed.
2 nd press air push:	The blower stops.
Standard function:	A drying cycle will automatically start the blower for 1 minute, 20 minutes after the system, stops.

FUNCTIONS M3 · P3

Your blower is equipped with a built-in electronic control, 3 speeds: maximum, medium, minimum and a 20 minute automatic timer as well as an automatic drying cycle.

1 st press air push:	The blower starts at maximum speed.
2 nd press air push:	The blower turns to medium speed.
3 th press air push:	The blower turns to minimum speed.
4 th press air push:	The blower stops.
Standard function:	A drying cycle will automatically start the blower for 1 minute, 20 minutes after the system, stops.

Optional function with M3 · P3 · MS :

If your blower has been factory set for a 24 hour drying cycle, program as follows:

- Determine the time that you wish your drying cycle to start each day.
- Completely shut down the electrical current to the blower for 10 seconds.
- Start your system for a few seconds.

Your drying cycle will start every 24 hours from that moment on. In case of a power failure, reprogram as needed.

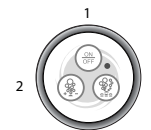
FUNCTIONS MS

Your blower is equipped with an integrated air heating element, built-in electronic control, variable speed, pulsation cycle, a 20 minute automatic timer and an automatic drying cycle.

Optional: water level detectors



1	1 st press:	The blower starts at maximum speed, LED: ON
	2 nd press:	The blower stops, LED: OFF
2	1 st press:	Speed goes up, LED: ON when pressing. Release pressure at the desired speed.
3	1 st press:	Speed goes down, LED: ON when pressing. Release pressure at the desired speed.
4	1 st press:	Speed will vary gradually from maximum to minimum and back to minimum, LED: ON
	2 nd press:	System turns off and on, then off again, LED: flashes
	3 th press:	Returns to maximum speed, LED: OFF
	Standard function:	A drying cycle will automatically start the blower for 1 minute, 20 minutes after the system, stops.



1	1 st press:	The blower starts at maximum speed, LED: ON
	2 nd press:	The blower stops, LED: OFF
2	1 st press:	Speed goes up or down, LED: ON when pressing. Release pressure at the desired speed.
3	1 st press:	Speed will vary gradually from maximum to minimum and back to minimum, LED: ON
	2 nd press:	System turns off and on, then off again, LED: flashes
	3 th press:	Returns to maximum speed, LED: OFF
	Standard function:	A drying cycle will automatically start the blower for 1 minute, 20 minutes after the system, stops.

INSTALLATION INSTRUCTIONS FOR REMOTE CONTROL

The following components are necessary

One (1) remote control

Two (2) magnets

One (1) receiver module

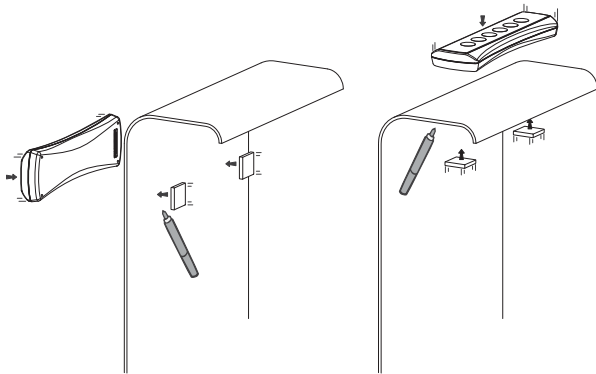
One (1) cable

REMOTE CONTROL INSTALLATION

- 1** A. Determine appropriate location for the remote control in the bathtub.

Determine backside location of magnets

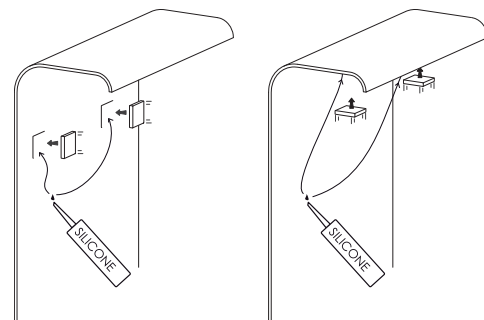
- A. Hold the remote control in the chosen location.
- B. From the exterior of the bathtub position the supplied magnets, the attraction force will guide you to the proper area and they will hold in place.
- C. Mark the position of the magnets with a marker or pencil.


2

CAUTION: Magnets always have a positive and negative side and will only be attracted to one side. Consider this to avoid applying the silicone to the wrong side.

Install magnets on backside

- A. Apply a dab of silicone to the magnets, place and maintain in the premarked position.
- B. Let dry in this position.


3

WARNING: The magnets are extremely powerful despite their small size. Use caution while installing and handling to avoid injuries caused by a sudden movement of the magnets clinging together and possibly pinching fingers, skin or other. Persons with physical conditions that could be affected by magnetic fields should avoid using it and/or consult with their physician.

The remote control only operates CG Air Systèmes
Millenium MS+ & Silver SLS+ blower series and CG Air electronic controls **Evolution**

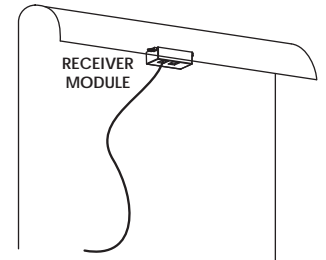
RECEIVER MODULE INSTALLATION

1 Receiver module installation

A. The receiver module must be installed under the bathtub rim.

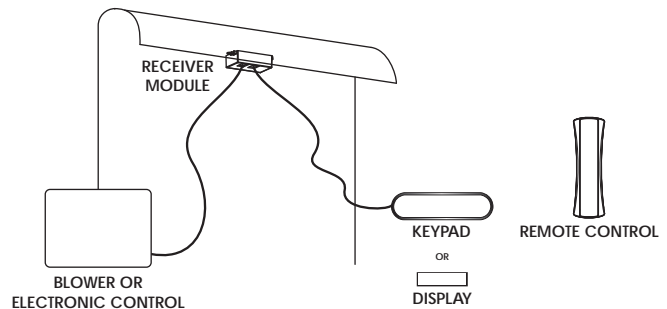
IMPORTANT:

- In order to obtain the best reception possible, we recommend not to install the receiver module next to the faucets or metal piping.
- Location of the receiver module must be easily accessible from the outside of the bathtub for maintenance.



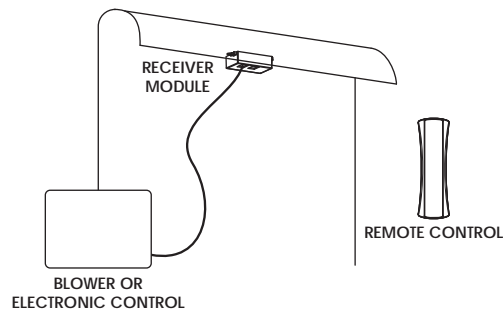
2.A Remote control and keypad used to activate the system

- Plug in the cables as shown on the drawing
- Once everything is connected, the remote control is ready for synchronization



2.B Remote control only, to activate the system

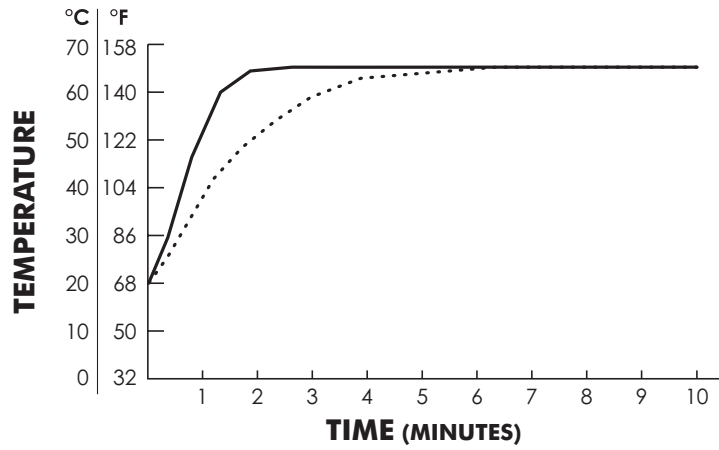
- Plug in the cable as shown on the drawing
- Once everything is connected, the remote control is ready for synchronization



SYNCHRONIZATION

- Once the system has been connected, the remote control must be synchronized with its receiver module.
- Switch off the main breaker or unplug the system and switch it on again.
- From this moment, you have 15 seconds to proceed with the synchronization.
- Press simultaneously on the button 2 + 3 of the remote for 4 seconds.
- The remote control is now synchronized and ready to use.
- If the synchronization is not successful the first time, you should resynchronize, starting from step B.

BLOWER OUTLET AIR TEMPERATURE



— WITH 300W HEATING ELEMENT
 WITHOUT HEATING ELEMENT

The graphic curves shown are approximate and can vary depending on the installation.

Temperatures are taken on a 16 air jet system using a Silver blower.

