

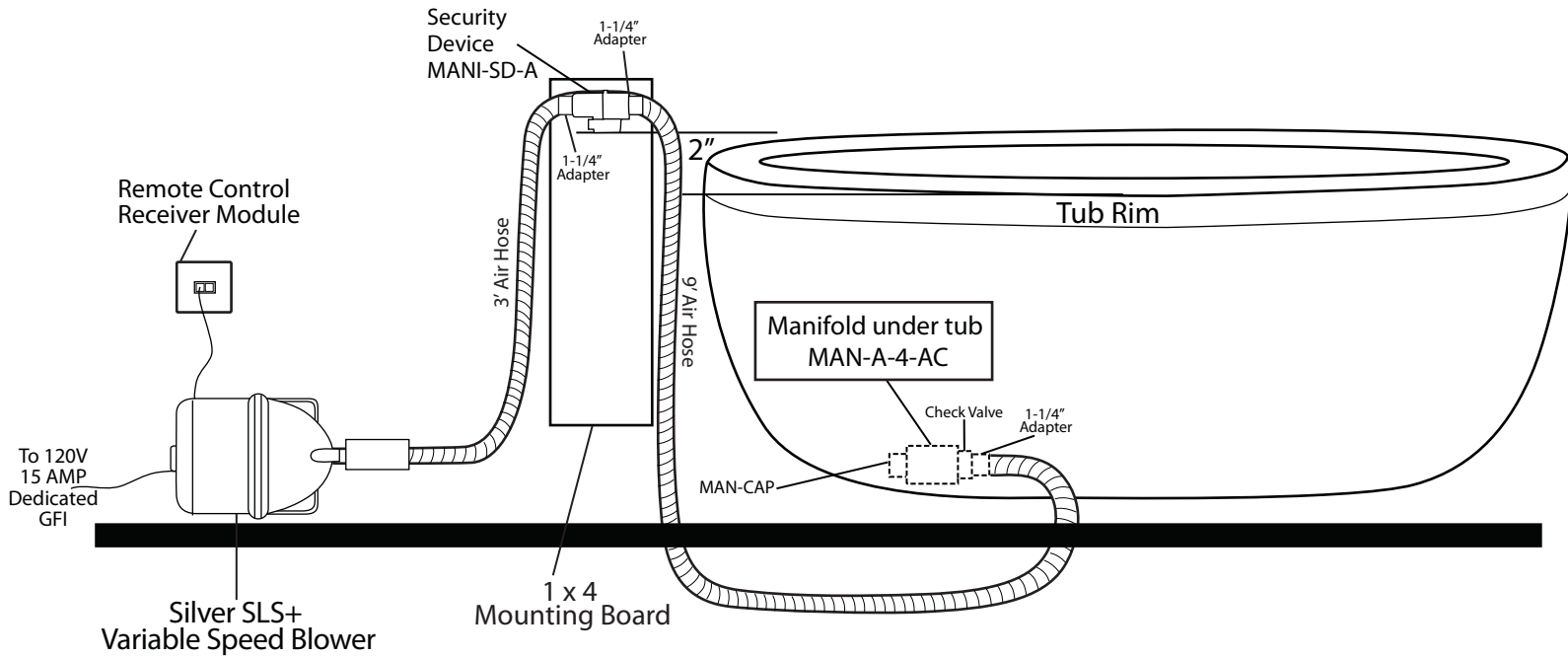
INSTALLATION INSTRUCTIONS

Kayla Oval Acrylic Freestanding Air Bath Tub

- Install so that the security device, MANI-SD-A, is at least 2" above tub rim.

Components List:

- BM-TWP Ball Check Valve Jets
- MANI-SD-A Security Device
- MAN-A-4-AC Manifold
- Silver SLS+ Variable Speed Blower



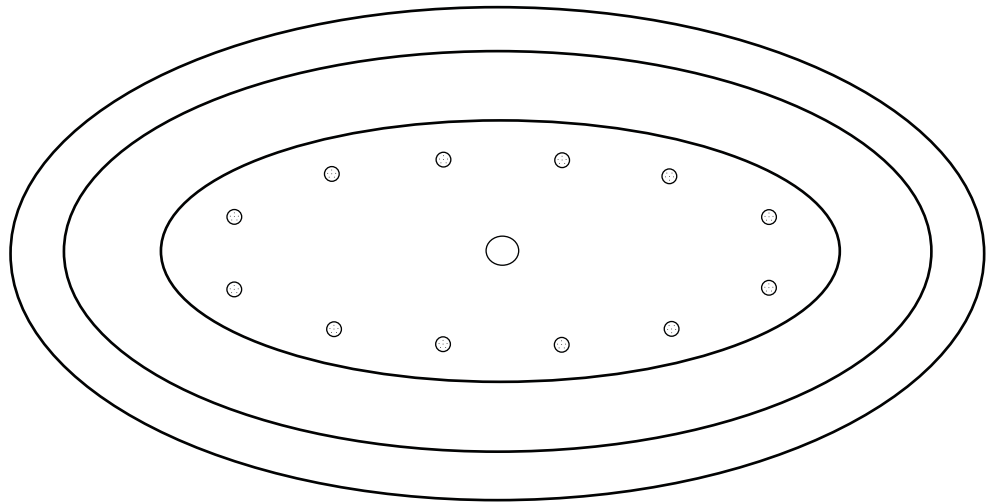
Inside of Bath

Features:

- (12) Maxi Air Jets with 24 openings



- Remote Control CG+/RTC-SENSOR-WP

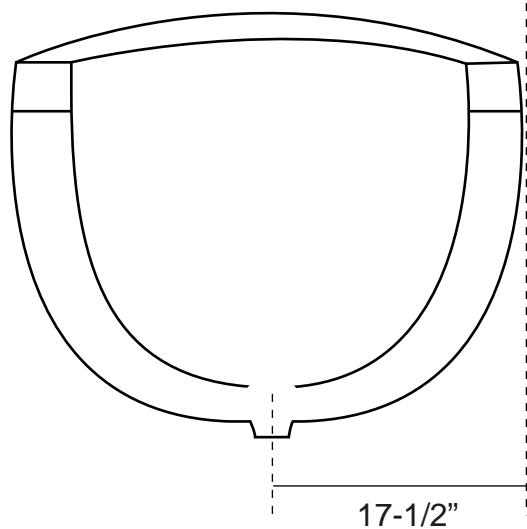
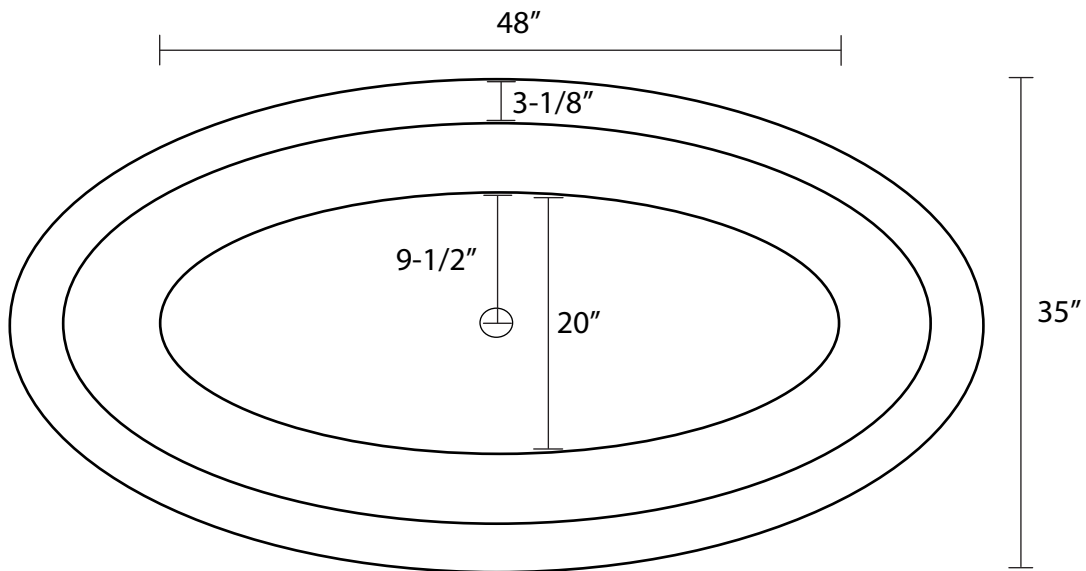
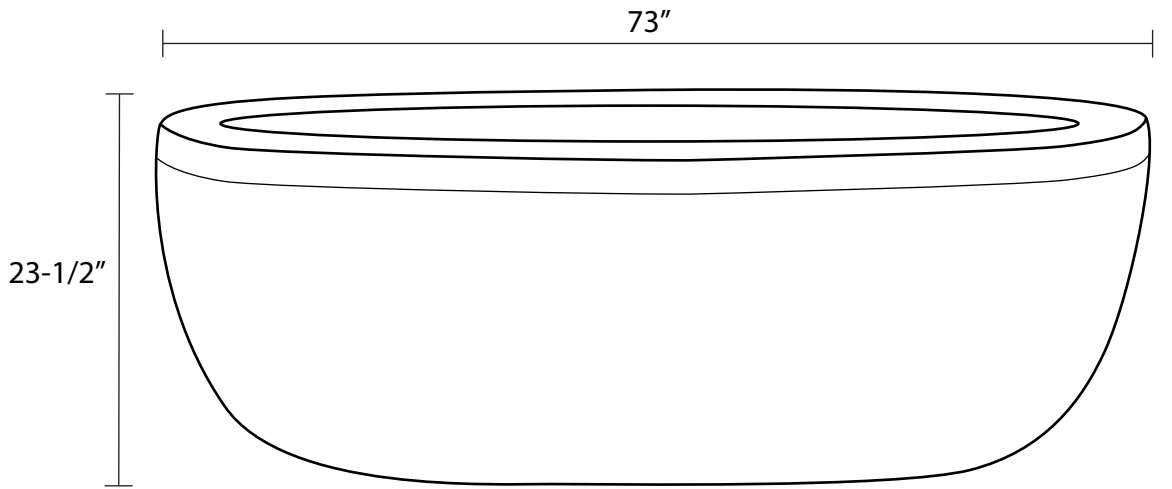


Kayla Oval Acrylic Freestanding Air Bath Tub

Tub Dimensions: 73" L x 35" W x 23-1/2"H.

Tub Water Capacity: 60 gallons.

Tub Weight Uncrated: 200 lbs. Tub Weight Crated: 425 lbs



Water depth is 17-1/2" H to top of tub.
All measurements are approximate.
Measurements may vary +/- 1/2".