

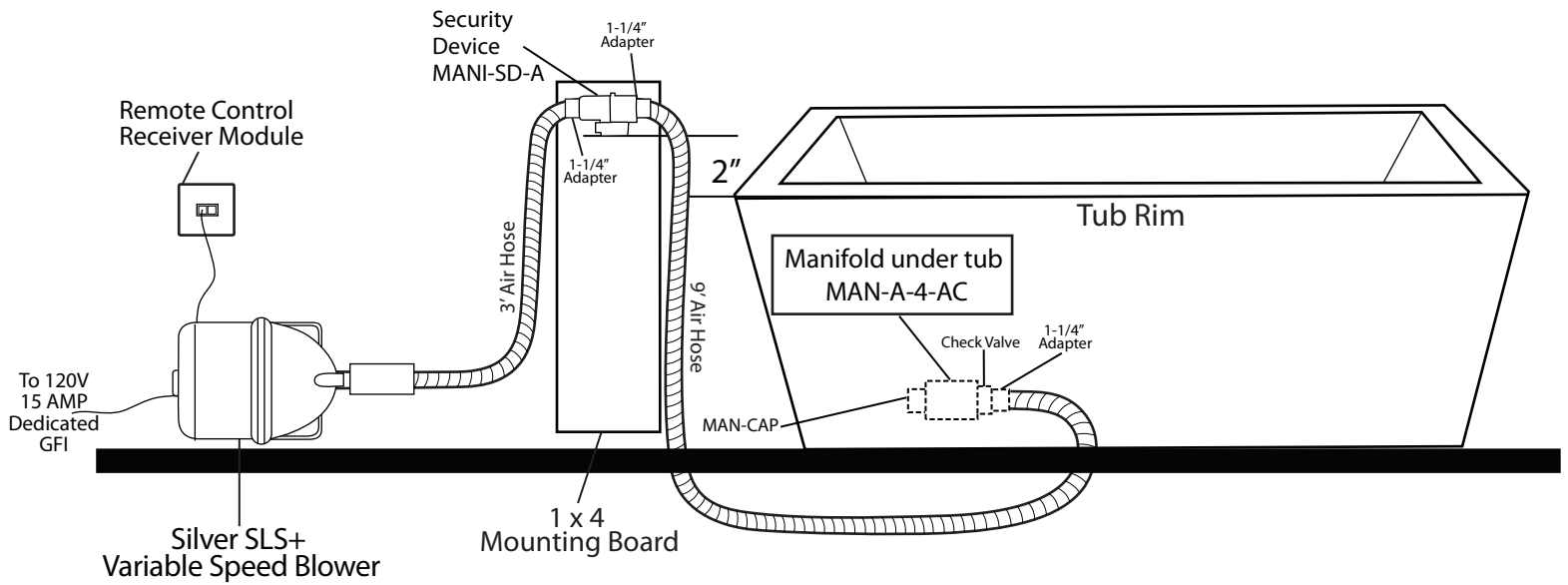
INSTALLATION INSTRUCTIONS

Kaitlyn Acrylic Rectangular Air Bath Tub

- Install so that the security device, MANI-SD-A, is at least 2" above tub rim.

Components List:

- BM-TWP Ball Check Valve Jets
- MANI-SD-A Security Device
- MAN-A-4-AC Manifold
- Silver SLS+ Variable Speed Blower



Inside of Bath

Features:

- (12) Maxi Air Jets with 24 openings



Elbows for air jets

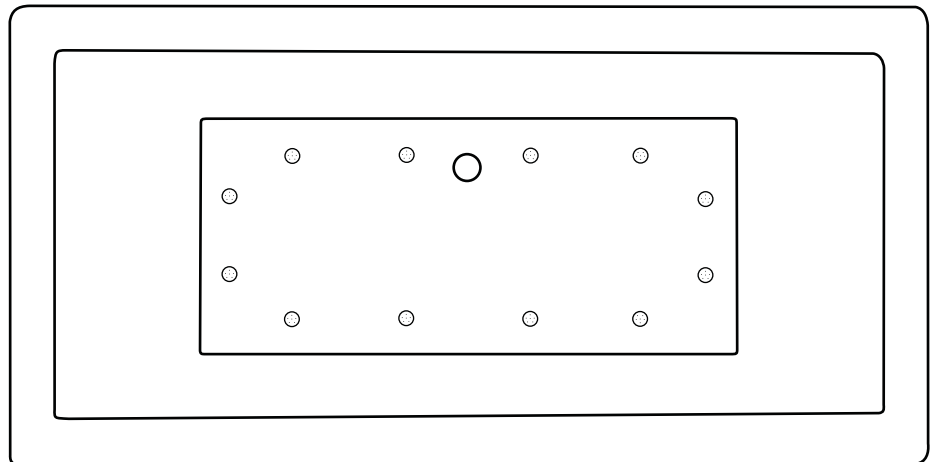


Tees for air jets

- Remote Control CG+/RTC-SENSOR-WP



12-15 year battery life

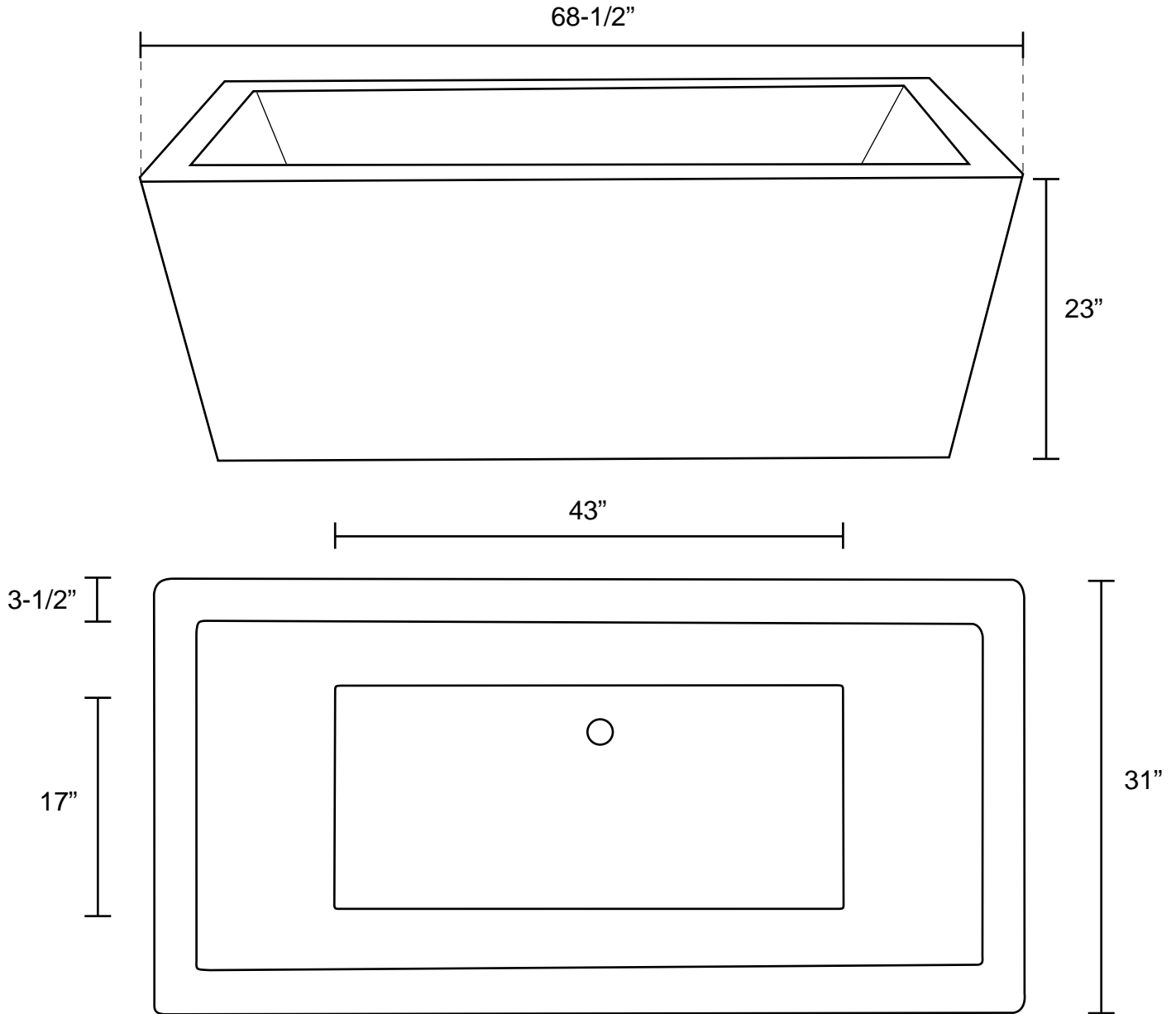


Kaitlyn Acrylic Rectangular Air Bath Tub

Tub Dimensions: 68-1/2" L x 31" W x 23" H

Tub Water Capacity: 88 gallons

Tub Weight Uncrated: 200 lbs. Tub Weight Crated: 425 lbs



Water depth is 17" H to top of tub.
All measurements are approximate.
Measurements may vary +/- 1/2".

