

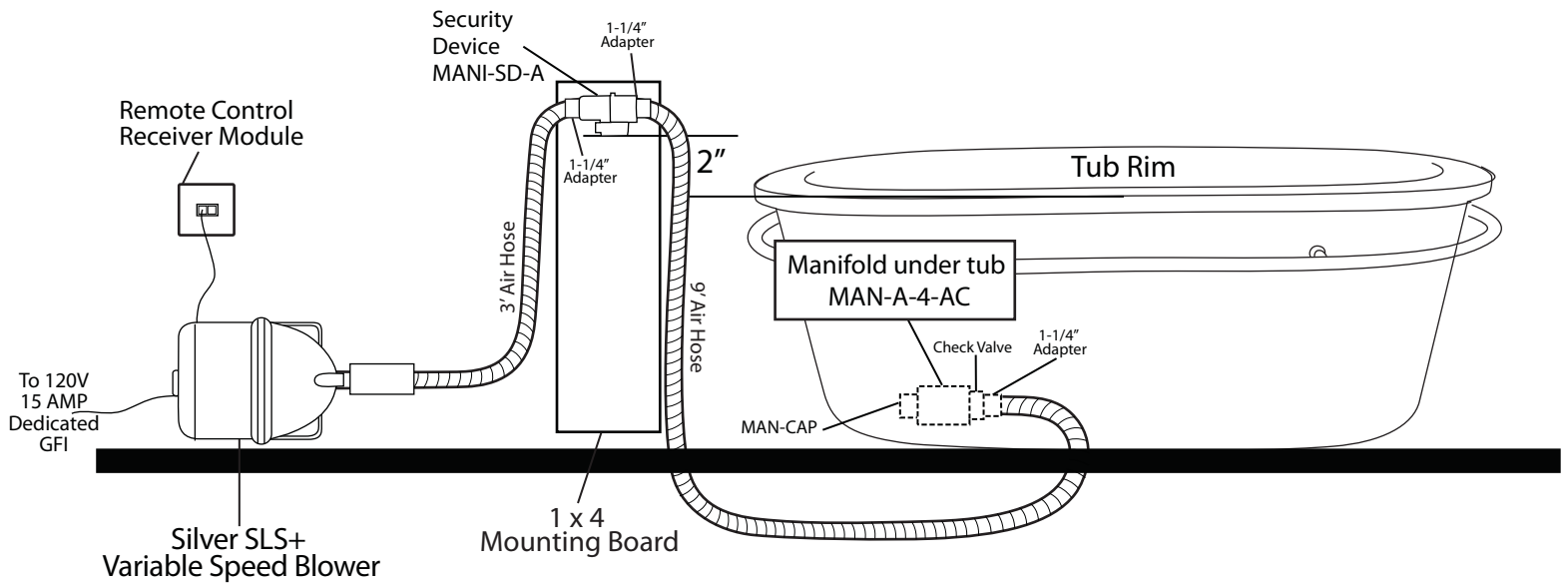
INSTALLATION INSTRUCTIONS

Jayson Freestanding Acrylic Air Bath Tub with Towel Rail

- Install so that the security device, MANI-SD-A, is at least 2" above tub rim.

Components List:

- BM-TWP Ball Check Valve Jets
- MANI-SD-A Security Device
- MAN-A-4-AC Manifold
- Silver SLS+ Variable Speed Blower



Inside of Bath

Features:

- (12) Maxi Air Jets with 24 openings



Elbows for air jets

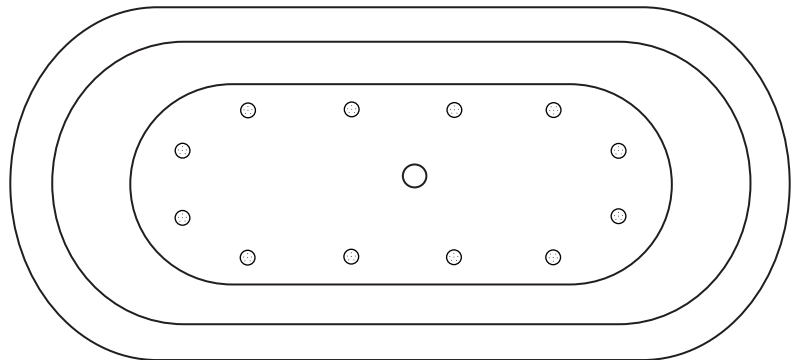


Tees for air jets

- Remote Control CG+/RTC-SENSOR-WP



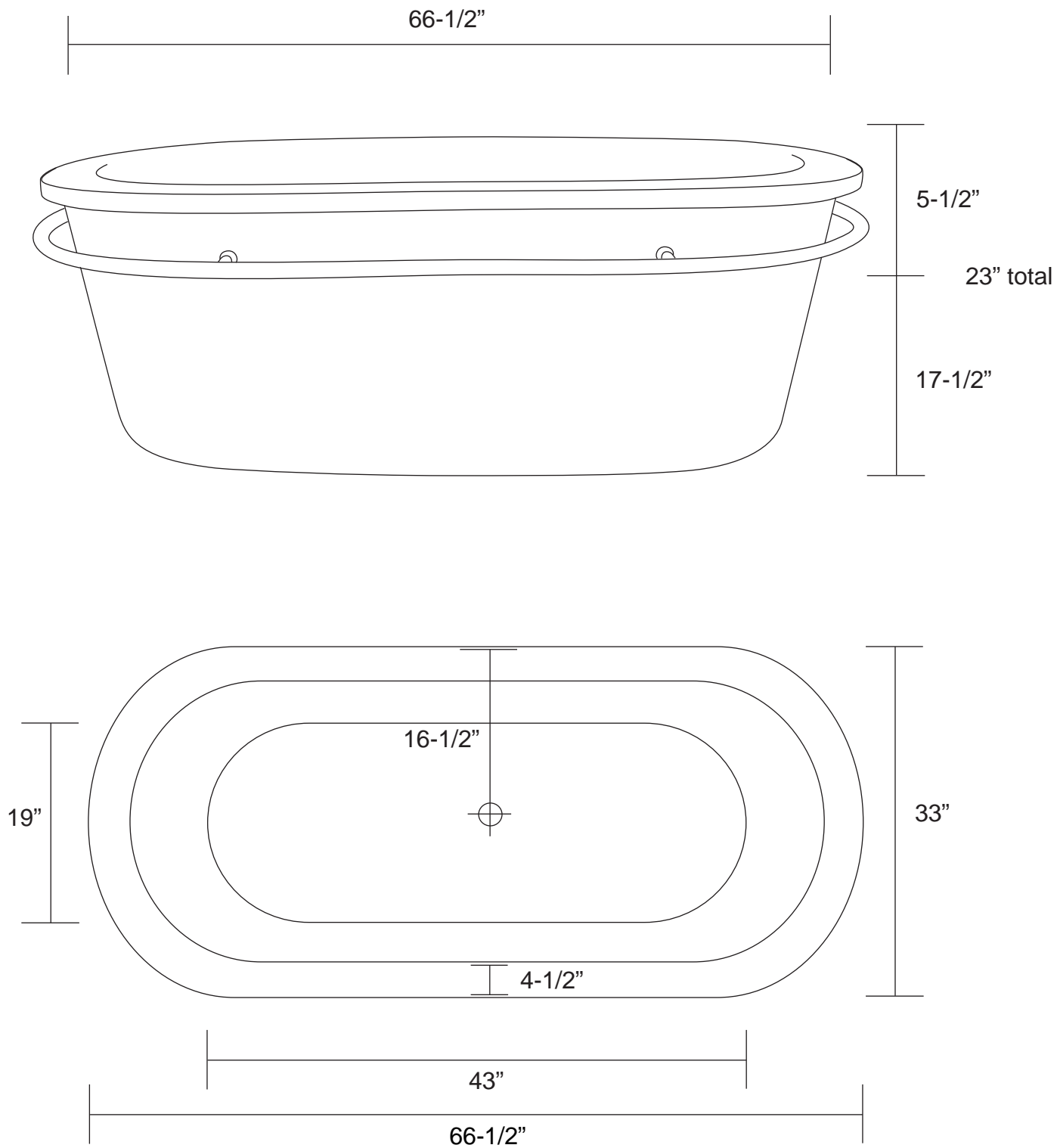
12-15 year battery life



Jayson Freestanding Acrylic Air Bath Tub with Towel Rail

Tub Dimensions: 66-1/2" L x 33" W x 23" H

Tub Weight Uncrated: 227 lbs. Tub Weight Crated: 407 lbs.



All measurements are approximate. Measurements may vary +/- 1/2".